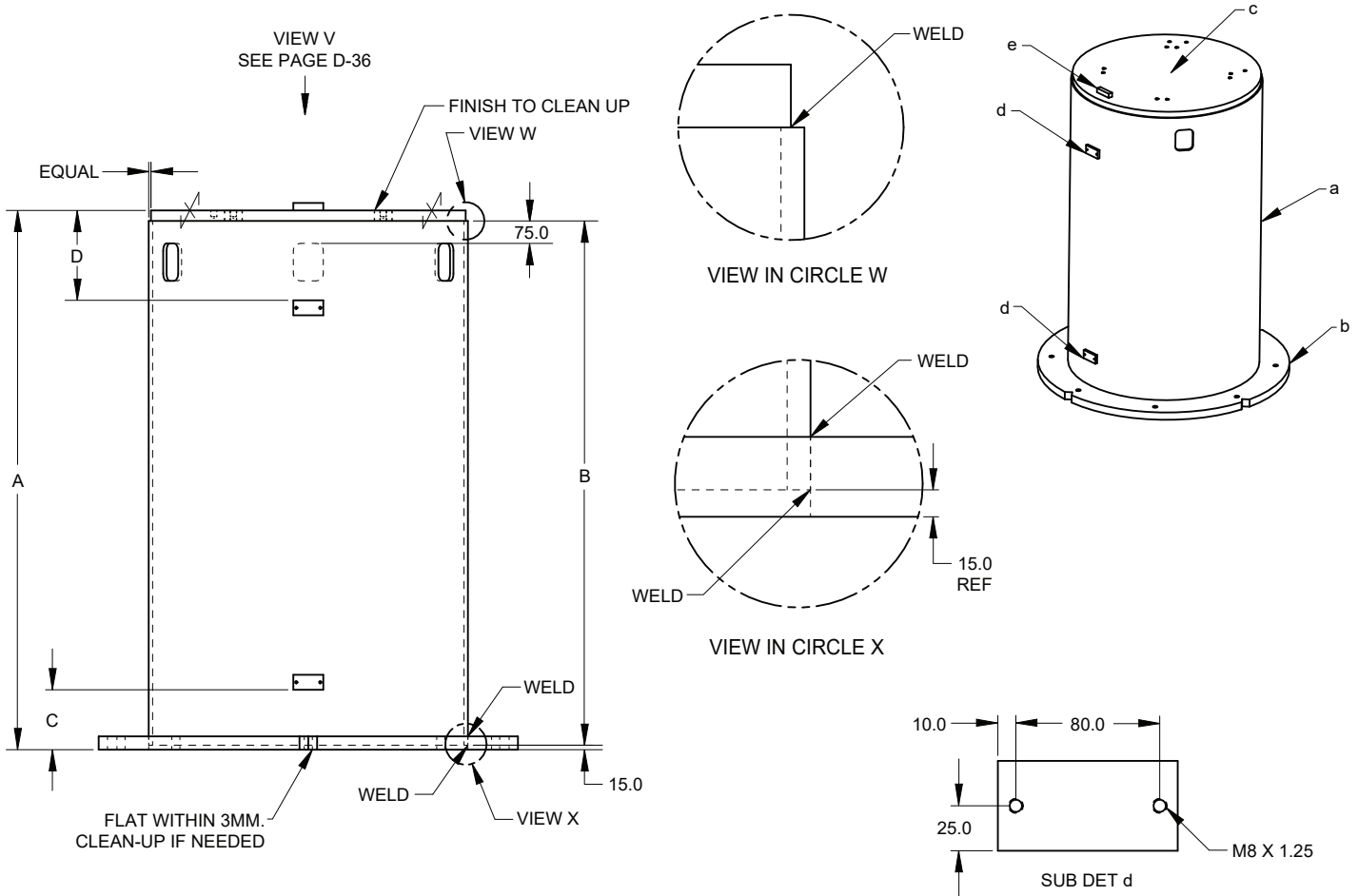


# ROBOT RISER R2000iC 165F/210F/125L



MAX. LOADING: Mh 25.48 kNm (2600 kgfm)

NAAMS CODE	A ±5.0	B	C	D
ARR820	300	250.0	N/A	N/A
ARR830	600	550.0	300MM	N/A
ARR840	900	850.0	450MM	N/A
ARR850	1200	1150.0	200MM	300MM
ARR860	1500	1450.0	200MM	300MM
ARR870	1800	1750.0	200MM	300MM

SEE DRAWING ON NEXT PAGE

**INCH STOCK:**

- (a) 1 ~ 1065MM DIA X 1/2" W/T x B - ASTM A - 36
- (b) 1 ~ 1 3/4" X 1400MM DIA - ASTM A - 36
- (c) 1 ~ 1 3/4" X 1050MM DIA - ASTM A - 36 MADE FROM HOLE IN SUB DET "b"
- (d) 1 or 2 ~ 1/2" X 2" X 100MM - ASTM A - 36 SEE CHART
- (e) 1 ~ 1" X 1" X 50MM - ASTM A - 36

# ROBOT RISER R2000iC 165F/210F/125L

