

# GN 833 Toggle Hook Latches

Steel, zinc plated / stainless steel

Photo



## Product description

### Information

GN 833 toggle hook latches are used for the secure holding of flaps, container lids, machine coverings and similar applications. The clamping stroke exceeds the dead centre point which makes them vibration proof. Due to the elasticity of the U-bolt latch the components to be linked are held in position.

The loads specified in the above table are simply guide line values for a nominal static pulling force which the lock can withstand. The clamping strength may be decreased depending on the application conditions, such as in the case of sudden dynamic loads.

Socket head cap screws with low-profile head or oval head screws are recommended for mounting due to space requirements.

### Specification

Toggle latch assembly  
Steel  
zinc plated, blue passivated finish

ST

Stainless steel  
European Standard No. 1.4301, AISI 304

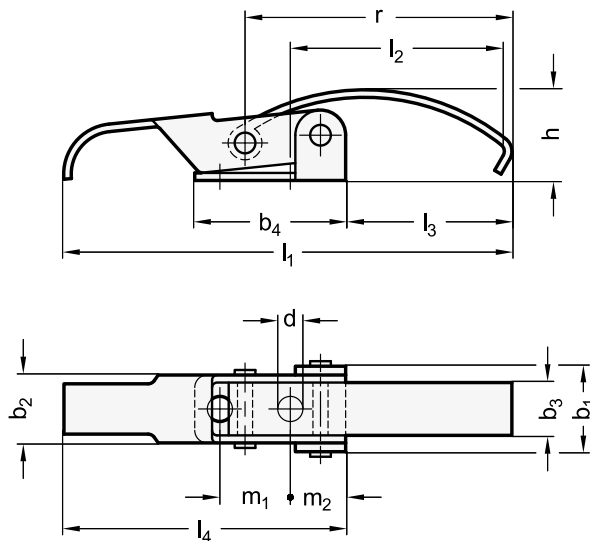
NI

Material: NI - Stainless steel

RoHS compliant



## Technical drawing



## Part Options / Table

### Metric

Size	FH in N Holding capacity	b <sub>1</sub>	b <sub>2</sub>	b <sub>3</sub>	b <sub>4</sub>	d	h ±0.04
50	112 lbf (500 N)	.67	.53	.39	1.18	.20	.71
Size	l <sub>1</sub>	l <sub>2</sub> ±0.02	l <sub>3</sub>	l <sub>4</sub>	m <sub>1</sub>	m <sub>2</sub>	r
50	3.50	1.69	1.30	2.20	.55	.43	2.09