

# GN 743 Fluid Level Sight Glasses

Aluminum, With Natural Glass, resistant up to 212° F (100° C)

Photo



Product description

## Information

---

GN 743 Fluid level sight glasses offer the following features:

1. Genuine glass of high stability and scratch proof.
2. Sealing with an O-ring on the periphery and not on the face edge of the glass. Leak tightness is therefore not affected by axial pressures.
3. The seal is housed in a groove and it can therefore not be lost. In addition, this groove prevents the seal from being extruded when the sight glass is tightened. The location of this seal allows also the softer elastomer which guarantees better and easier sealing.

GN 743.1 Fluid level sight glasses can be used on pressurized oil tanks. Tests regarding maximum pressure are available upon request.

Sight glasses can be ordered with or without a reflector.

Note: When mounting fluid level sight glasses on walls of less than 4 mm thickness, use nut GN 543.1.

## Specification

---

Sight glass body

- Aluminum
  - turned, with matte shot-blast finish
- 

Sight glass

- Natural glass
- 

Seal

- NBR rubber (Perbunan)
  - Maximum heat resistance: 100°C (212°F)
-

## Reflector

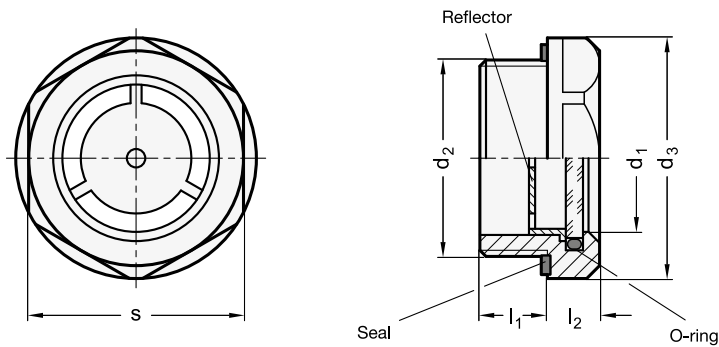
- Heat resistant technopolymer plastic (Polysulfon)

## Accessory

---

Fixing nuts GN 543.1

## Technical drawing



## Part Options / Table

### Type

A	with contrast screen, blank
B	without contrast screen, blank

### Metric

$d_1$	$d_2$ Pipe Thread	Thread		$d_3$	$l_1$	$l_2$	$s$
.28	G 1/4	<i>M 14 x 1.5</i>	-	.79	.30	.26	.71
.43	G 3/8	<i>M 16 x 1.5</i>	-	.87	.31	.30	.79
.55	G 1/2	<i>M 20 x 1.5</i>	-	1.02	.33	.30	.91
.71	G 3/4	<i>M 26 x 1.5</i>	<i>M 27 x 1.5</i>	1.26	.35	.31	1.18
.94	G 1	<i>M 33 x 1.5</i>	-	1.57	.43	.33	1.42
1.26	G 1 1/4	<i>M 40 x 1.5</i>	<i>M 42 x 1.5</i>	1.97	.47	.35	1.81
1.26	G 1 1/2	-	-	2.36	.51	.35	2.17