

# EN 654.1 Fluid Level Indicators with High Chemical Resistance

Photo



ELESA original design  
code: HCK-GL



## Product description

### Information

---

Due to the U-rail and cover, Elessa® original design EN 654.1 fluid level indicators are extremely stable and therefore suitable for long lengths.

The fluid level can also be viewed from the side.

These fluid level indicators have a high chemical resistance and are also suitable for media containing or based on glycol.

Temperature resistant to 212°F (100°C).

For special requirements of chemical, pressure, and temperature resistance, please contact us.

### Specification

---

#### Indicator tube

- Borosilicate glass (Pyrex®)
  - temperature resistant up to 266° F (130° C)
  - highest mechanical and thermal resistance
- 

#### O-ring

- FKM rubber (Viton®)
- 

#### Mounting screws

- Stainless steel  
European Standard No. 1.4305 (AISI 303)
- 

#### U-rail

- Aluminum, anodized
  - natural color
- 

#### End pieces

- Technopolymer plastic (Polyamide PA)
  - matte black
- 

#### Cover

- Crystal-clear polycarbonate

RoHS compliant

## On request

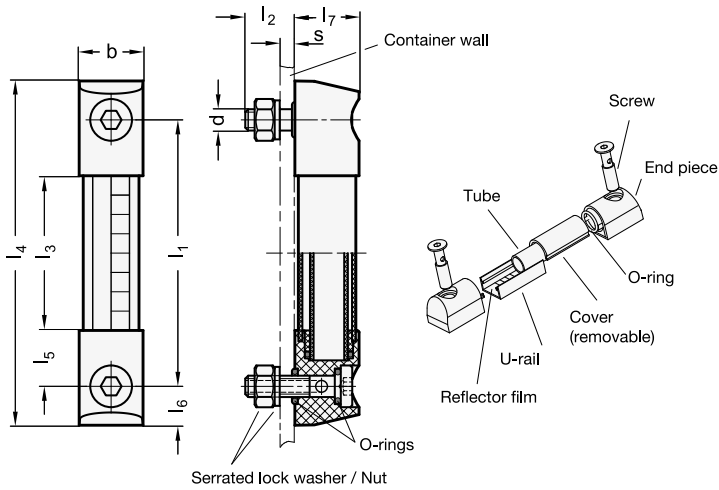
other lengths  $l_1$

with temperature display

with electrical temperature monitoring

For special requirements of chemical, pressure, and temperature resistance- please contact us

## Technical drawing



## Part Options / Table

### Metric

$l_1$	$b$	$d$ Thread	$l_2$	$l_3$	$l_4$	$l_5$	$l_6$	$l_7$	$s \approx$ max. wall thickness
2.99	1.30	M 10	.79	1.65	4.45	.67	.73	1.30	.47
5.00	1.30	M 12	.79	2.80	6.46	1.10	.73	1.30	.39
6.93	1.30	M 12	.79	4.72	8.39	1.10	.73	1.30	.39
10.00	1.30	M 12	.79	7.80	11.46	1.10	.73	1.30	.39
15.00	1.30	M 12	.79	12.80	16.46	1.10	.73	1.30	.39
20.00	1.30	M 12	.79	17.80	21.46	1.10	.73	1.30	.39