

# EN 543.2 Fluid Level Sight Glasses

## Plastic

Photo



ELESA Original design  
code: HGFT.



Type: A - with contrast screen  
Color: RT - Red



Product description

### Information

---

EN 543.2 Elessa® original design technopolymer plastic fluid level sight glasses. Resistant to solvents, oils, grease and other chemical agents.

A moderate torque (see table) is recommended when tightening oil level indicator so as to guarantee optimal tightness without any elastic deformation.

Maximum continuous working temperature at 3 Bar pressure: 212°F (100°C).

Assembly instruction:  
For mounting on walls of less than 4 mm thickness please use a GN 543.1 nut

### Specification

---

Threaded housing

- Polyamide technopolymer plastic
- black
- red

Sight window

- Special transparent polyamide technopolymer plastic

Reflector

- Star-shaped anodized aluminum with central level sight dot

Packing ring

- NBR synthetic rubber

RoHS compliant

### Accessory

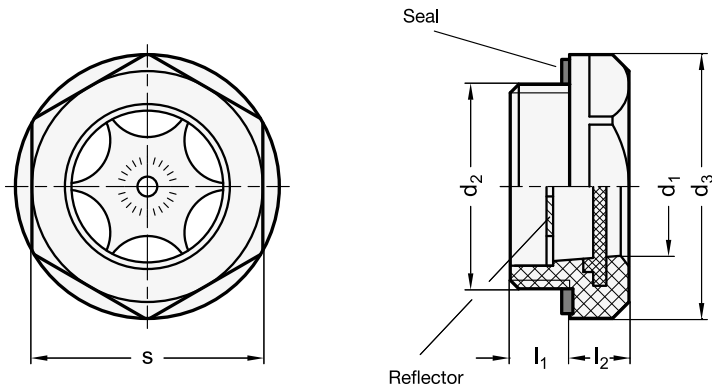
---

GN 543.1 nuts

# On request

Metric and BSPP threads

## Technical drawing



## Part Options / Table

### Type

A	with contrast screen
B	without contrast screen

### Inch

$d_1$	$d_2$ Thread	$d_3$	$l_1$	$l_2$	$s$
.59	1/2 NPT	1.10	.39	.33	.94
.71	3/4 NPT	1.38	.39	.33	1.26
.91	1 NPT	1.69	.43	.37	1.50

### Metric

$d_1$	$d_2$ Thread	$d_3$	$l_1$	$l_2$	$s$
.43	G 3/8	.94	.31	.28	.87
.59	G 1/2	1.10	.39	.33	.94
.71	G 3/4	1.38	.39	.33	1.26
.91	G 1	1.69	.43	.37	1.50
1.18	G 1 1/4	1.97	.43	.35	1.81
1.57	G 2	2.68	.47	.43	2.44