

GN 52.5 Retaining Magnets

Stainless Steel, rod-shaped, with threaded stud and rubber jacket on magnetic surface

Photo



Product description

Information

GN 52.5 retaining magnets are a shielded magnetic assembly with rubber jacket.

They are especially suitable for applications where the surface is easily marred. Also, these magnets have an increased coefficient of friction, which creates high lateral retaining force.

Specification

Housing
Stainless Steel

Material of the magnet
NdFeB
temperature resistant up to 80° C

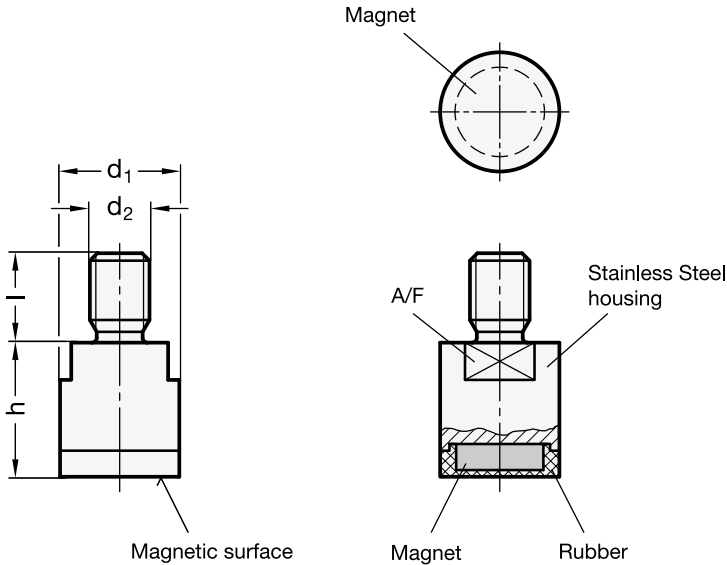
ND

Rubber
Elastomer (TPE)
80 shore A ≈
black

RoHS compliant

Technical drawing

View of magnetic surface



Part Options / Table

Metric

d ₁	d ₂	h	Length l	A/F	Nominal magnetic forces in N
.51	M 6	.63	.39	.43	3.37 lbf (15 N)
.63	M 8	.71	.47	.51	5.17 lbf (23 N)
.79	M 10	.79	.55	.67	10.34 lbf (46 N)