

# GN 51.6 Retaining Magnets

## Steel, disc-shaped, with two internal threads, with rubber jacket

Photo



Product description

### Information

GN 51.6 retaining magnets are a shielded magnetic system with rubber jacket.

GN 51.6 magnets are a shielded magnetic assembly with rubber jacket.

They are especially suitable for applications where the surface is easily marred. Also, these magnets have an increased coefficient of friction, which creates high lateral retaining force.

Dimensions, especially drill hole spacing  $m$  and thread  $d_2$ , match the clamp mounting units in series GN 473, GN 477 and GN 480.

### Specification

Steel part  
zinc plated

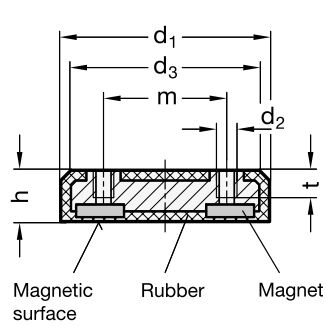
Material of the magnet  
NdFeB  
Neodymium, iron, boron  
temperature resistant up to 80 °C

ND

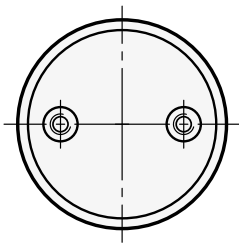
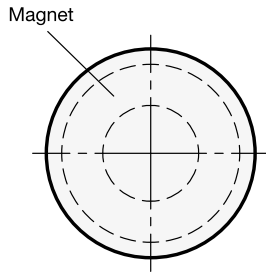
Rubber jacket  
Elastomer (TPE)  
80 shore A ≈  
black

RoHS compliant

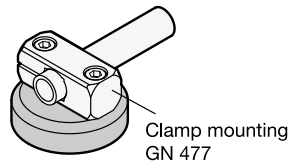
Technical drawing



View of magnetic surface



Application example



Part Options / Table

### Metric

$d_1$	$m$	$d_2$	$d_3$	$h$	$t$ min.	Nominal magnetic forces in N
1.69	.87	M 4	1.54	.41	.24	19.11 lbf (85 N)
1.69	1.06	M 5	1.54	.41	.28	19.11 lbf (85 N)
2.24	1.26	M 6	2.09	.44	.28	39.34 lbf (175 N)
2.24	1.42	M 6	2.09	.44	.28	39.34 lbf (175 N)