

# GN 51.5 Retaining Magnets

## Steel, disc-shaped, with tapped hole, with rubber jacket

Photo



Color: SW - black



Product description

### Information

GN 51.5 retaining magnets are a shielded magnetic system with rubber jacket.

They are especially suitable for applications where the surface is easily marred. Also, these magnets have an increased coefficient of friction, which creates high lateral retaining force.

### Specification

Steel part  
zinc plated

Material of the magnet  
NdFeB  
Neodymium, iron, boron  
temperature resistant up to 176 °F (80 °C)

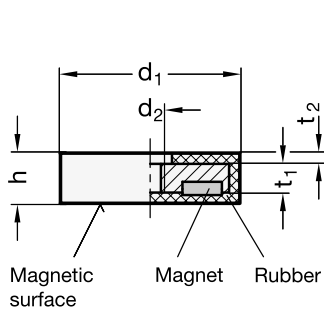
ND

Rubber jacket  
Elastomer (TPE)  
80 shore A ≈  
black  
white

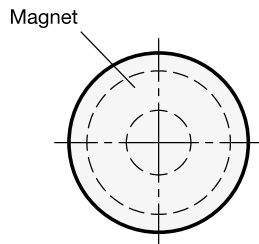
SW  
WS

RoHS compliant

Technical drawing



View of magnetic surface



Part Options / Table

### Metric

$d_1$	$d_2$	$h$	$t_1$	$t_2$	Nominal magnetic forces in N
.87	M 4	.24	.18	.03	7.87 lbf (35 N)
1.22	M 5	.24	.18	.03	16.86 lbf (75 N)
1.69	M 4	.22	.16	.03	19.11 lbf (85 N)
2.60	M 6	.33	.24	.07	40.47 lbf (180 N)
3.46	M 6	.33	.24	.07	94.42 lbf (420 N)