

WELLES PENDANT LIGHT
PENDANT

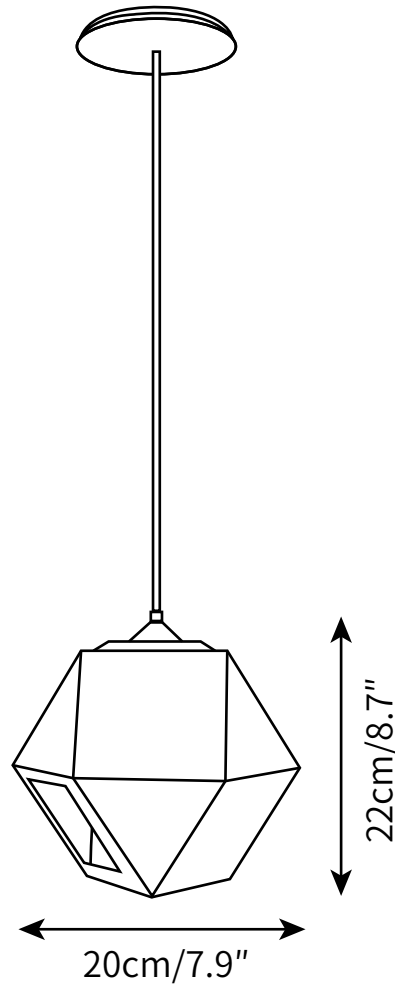
SPECIFICATION SHEET
INTERNATIONAL



WELLES PENDANT LIGHT

PENDANT

SPECIFICATION SHEET
INTERNATIONAL



ABOUT

The Welles Pendant light is created through an intricate double-blown glass process, during which colored glass is enclosed in a solid clear body and then expertly polished and shaped to its recognizable form. Choose from three exquisite color finishes to complement your space effortlessly. A polygonal shape with polished sharp edges, the Welles Pendant light is a glistening gem that cascades as a single pendant or as a body of staggering pendants. Single gem-like pendants hung from a finely braided metallic-cable, reminiscent of custom crafted jewelry.

LEAD TIME

4 - 7 weeks

LIGHT SOURCE

G9 5W LED
2700K warm white
Not dimmable
Lamp included

INSTALLATION

Ceiling mount
Supplied with external driver.

FLEX CORD COLOURS

Black Braided Cable,
Length 150cm / 59".

PRODUCT SIZE

Dia 20cm x H 22cm

FITTING FINISHES

Ambe, White, Black

SHADE COLOURS

Ambe, White, Black

CERTIFICATION

CE/CCC/UL/SAA/KC

WARRANTY

3 years

Materials

Glass, Metal

Voltage

AC 110-240V

WEIGHT

2kg