

TREE BRANCH CHANDELIER
CHANDELIERS

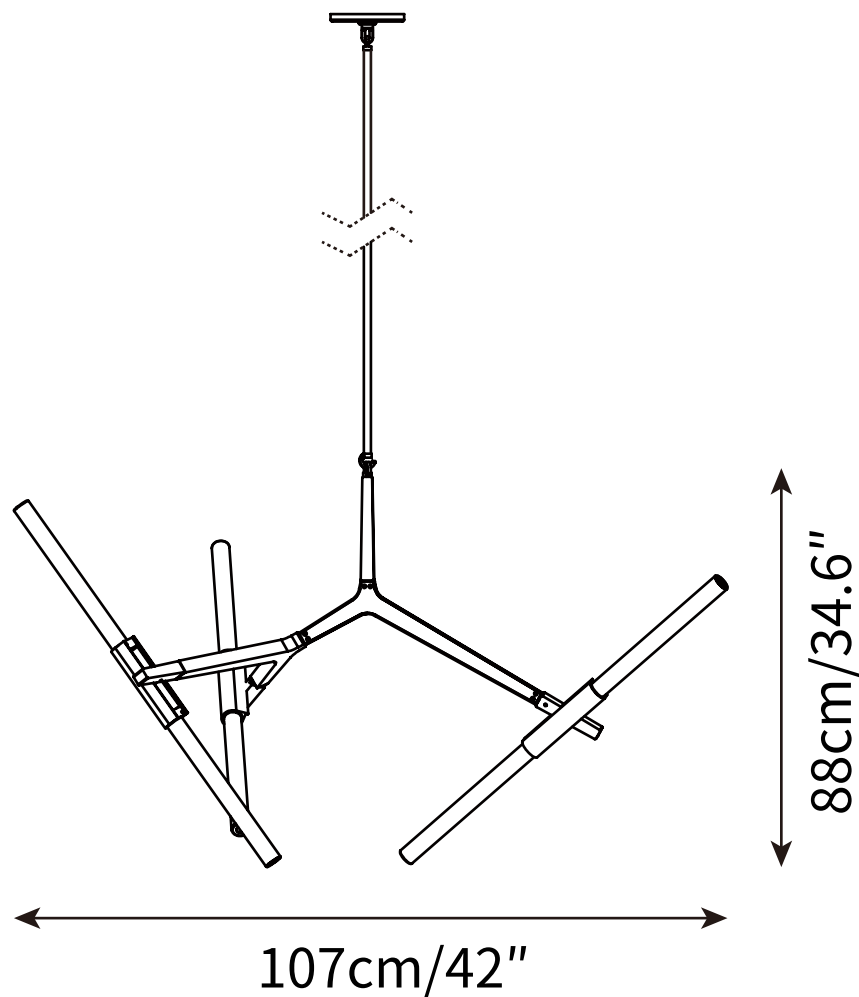
SPECIFICATION SHEET
INTERNATIONAL



TREE BRANCH CHANDELIER

CHANDELIERS

SPECIFICATION SHEET
INTERNATIONAL



ABOUT

Originally conceived as a candelabra, Agnes takes its inspiration from the fictional heroine of the same name, a worker in the world's oldest profession during the 1849 California Gold Rush. The modular system would allow Agnes easy setup in her makeshift "workspace." In this version, glowing glass tubes replace the candles.

LEAD TIME

4 - 7 weeks

LIGHT SOURCE

G9 ~3W LED
2700K warm white
Not dimmable
Lamp included

INSTALLATION

Ceiling mount,
hardwired.

ROD LENGTH

Rod lengths range between
50cm-150cm, in

PRODUCT SIZE

6 heads: Dia 107cm x H 88cm

FITTING FINISHES

Black, Golden

SHADE COLOURS

White

Materials

Metal, Glass

CERTIFICATION

CE/CCC/UL/SAA/KC

WARRANTY

3 years

Voltage

AC 110-240V

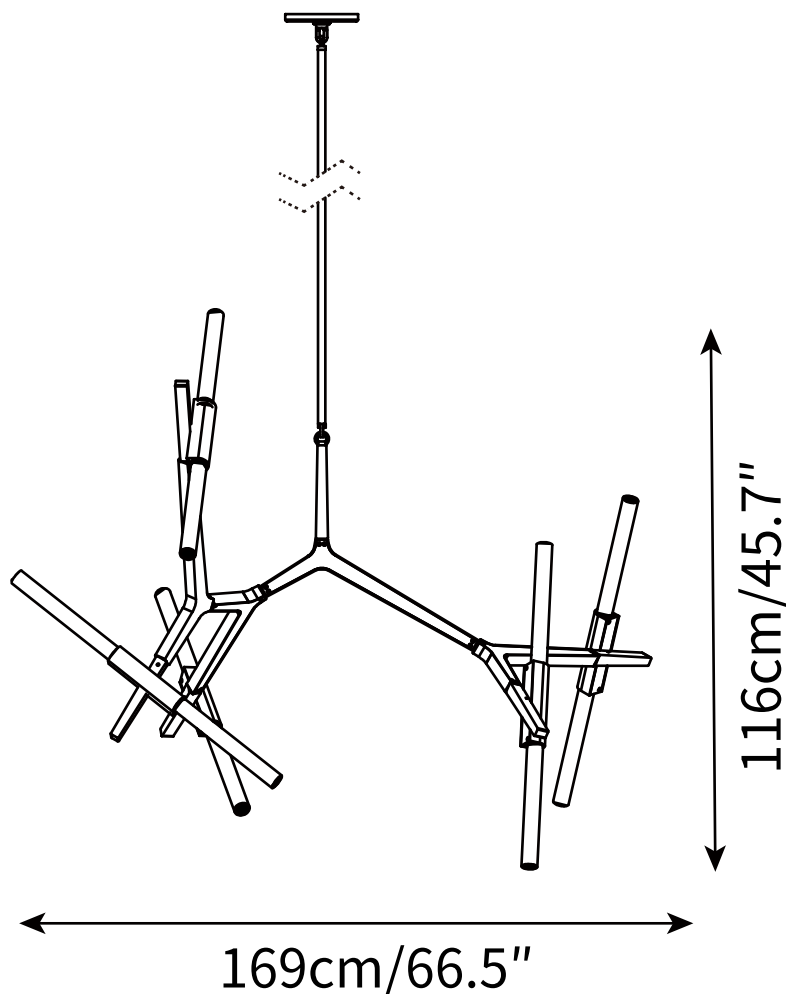
WEIGHT

3kg

TREE BRANCH CHANDELIER

CHANDELIERS

SPECIFICATION SHEET
INTERNATIONAL



ABOUT

Originally conceived as a candelabra, Agnes takes its inspiration from the fictional heroine of the same name, a worker in the world's oldest profession during the 1849 California Gold Rush. The modular system would allow Agnes easy setup in her makeshift "workspace." In this version, glowing glass tubes replace the candles.

LEAD TIME

4 - 7 weeks

LIGHT SOURCE

G9 ~3 W LED
2700K warm white
Not dimmable
Lamp included

INSTALLATION

Ceiling mount,
hardwired.

ROD LENGTH

Rod lengths range between
50cm-150cm, in

PRODUCT SIZE

10 heads: Dia 169cm x H 116cm

FITTING FINISHES

Black, Golden

SHADE COLOURS

White

Materials

Metal, Glass

CERTIFICATION

CE/CCC/UL/SAA/KC

WARRANTY

3 years

Voltage

AC 110-240V

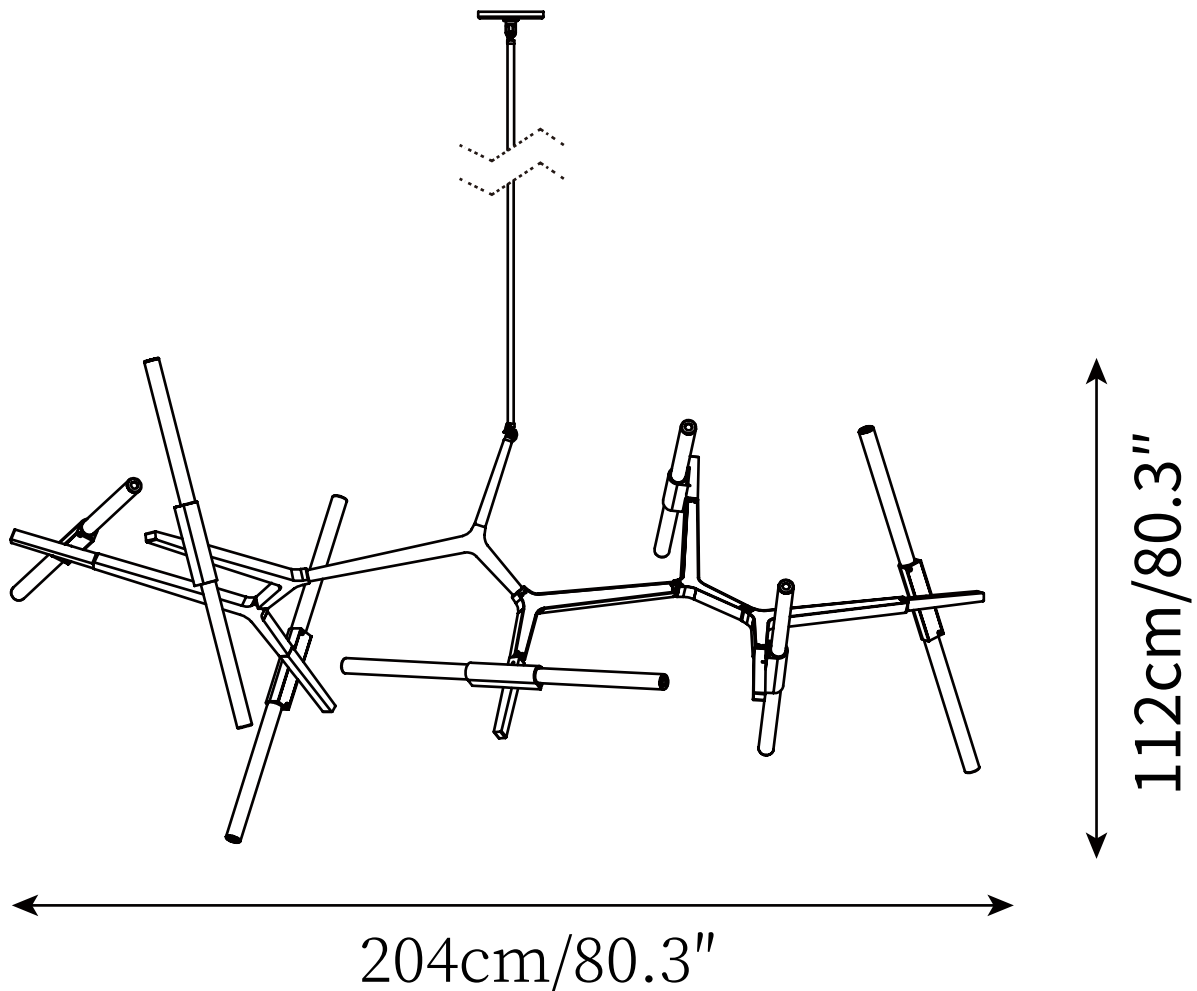
WEIGHT

5 kg

TREE BRANCH CHANDELIER

CHANDELIERS

SPECIFICATION SHEET
INTERNATIONAL



ABOUT

Originally conceived as a candelabra, Agnes takes its inspiration from the fictional heroine of the same name, a worker in the world's oldest profession during the 1849 California Gold Rush. The modular system would allow Agnes easy setup in her makeshift "workspace." In this version, glowing glass tubes replace the candles.

LEAD TIME

4 - 7 weeks

LIGHT SOURCE

G9 ~3 W LED
2700K warm white
Not dimmable
Lamp included

INSTALLATION

Ceiling mount,
hardwired.

ROD LENGTH

Rod lengths range between
50cm-150cm, in

PRODUCT SIZE

14 heads: Dia 204cm x H 112cm

FITTING FINISHES

Black, Golden

SHADE COLOURS

White

Materials

Metal, Glass

CERTIFICATION

CE/CCC/UL/SAA/KC

WARRANTY

3 years

Voltage

AC 110-240V

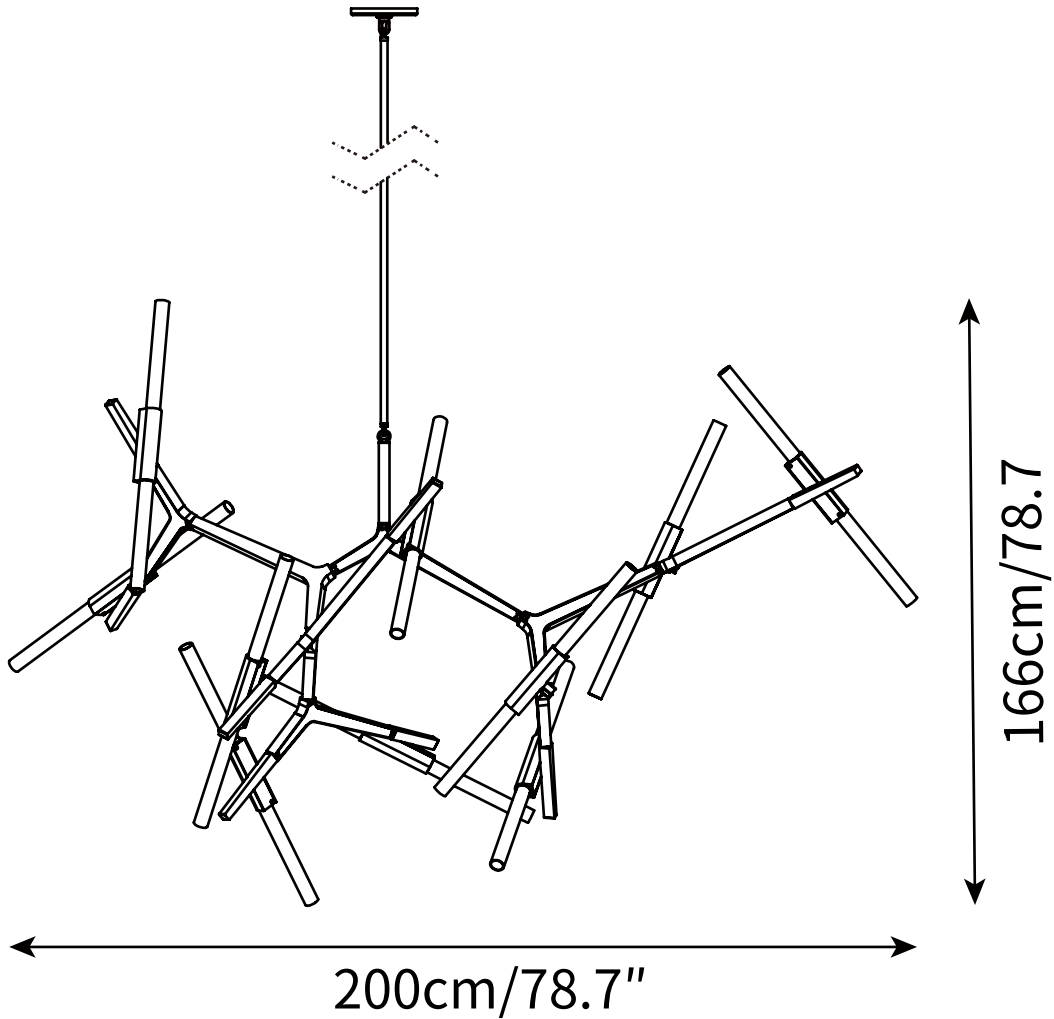
WEIGHT

8 kg

TREE BRANCH CHANDELIER

CHANDELIERS

SPECIFICATION SHEET
INTERNATIONAL



ABOUT

Originally conceived as a candelabra, Agnes takes its inspiration from the fictional heroine of the same name, a worker in the world's oldest profession during the 1849 California Gold Rush. The modular system would allow Agnes easy setup in her makeshift "workspace." In this version, glowing glass tubes replace the candles.

LEAD TIME

4 - 7 weeks

LIGHT SOURCE

G9 ~3 W LED
2700K warm white
Not dimmable
Lamp included

INSTALLATION

Ceiling mount,
hardwired.

ROD LENGTH

Rod lengths range between
50cm-150cm, in

PRODUCT SIZE

10 heads: Dia 200cm x H 166cm

FITTING FINISHES

Black, Golden

SHADE COLOURS

White

Materials

Metal, Glass

CERTIFICATION

CE/CCC/UL/SAA/KC

WARRANTY

3 years

Voltage

AC 110-240V

WEIGHT

12kg