

STONE TABLE LAMP
TABLE LAMP

SPECIFICATION SHEET
INTERNATIONAL

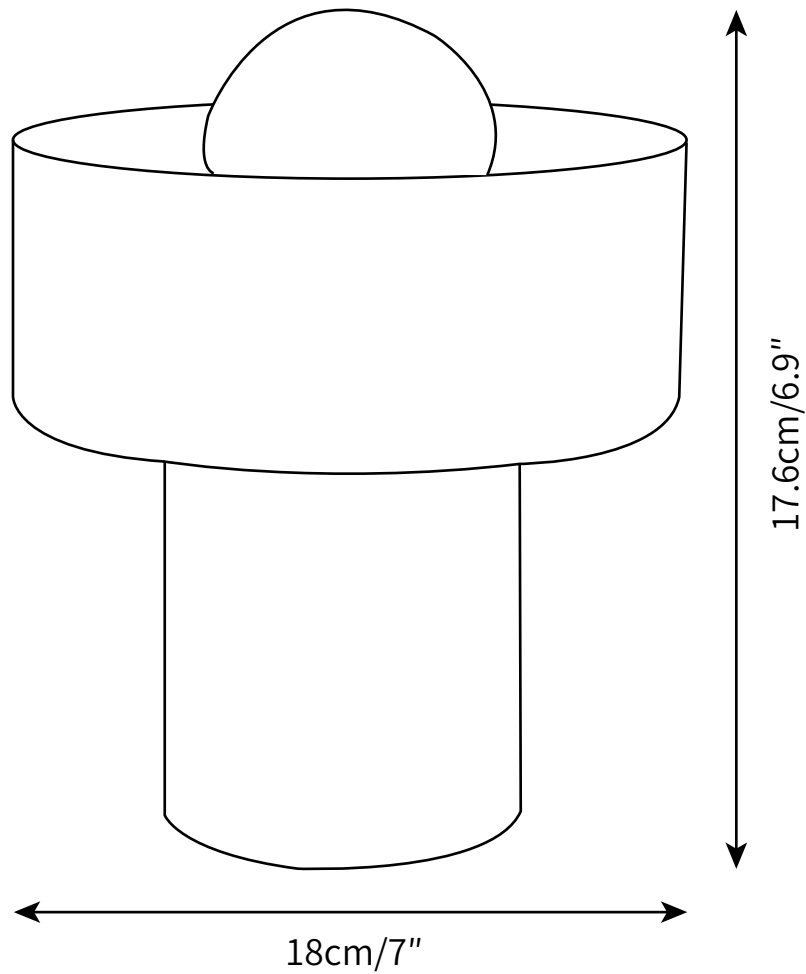


STONE TABLE LAMP

TABLE LAMP

SPECIFICATION SHEET

INTERNATIONAL



ABOUT

The Hollowed and carved from white semi-precious marble, this table light's halo-like ringed shade has a semi-translucent finish that accentuates its unique veined pattern. Designed to sit sturdily on your table on choice, it omits its light from the gold toned brass centre that reminds us of a contemporary sun. Every piece of marble has unique textures and stripes, making each piece completely unique.

LEAD TIME

4 - 7 weeks

LIGHT SOURCE

E27 60W LED
2700K warm white
Not dimmable
Lamp included

INSTALLATION

Wall mount,
Supplied with external driver

FLEX CORD COLOURS

Hardwired

PRODUCT SIZE

Dia 18cm x H 17.6cm

FITTING FINISHES

Gold

SHADE COLOURS

White

Materials

Metal, Marble

CERTIFICATION

CE/CCC/UL/SAA/KC

WARRANTY

3 years

Voltage

AC 110-240V

WEIGHT

3kg