

STONE PENDANT LIGHT  
PENDANT

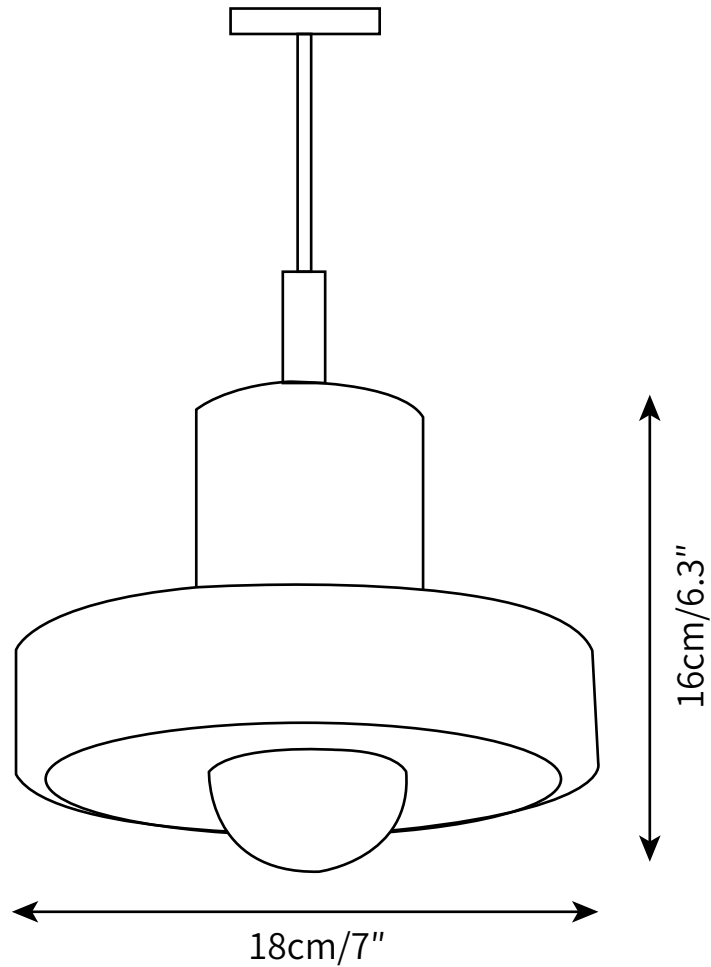
SPECIFICATION SHEET  
INTERNATIONAL



# STONE PENDANT LIGHT

## PENDANT

SPECIFICATION SHEET  
INTERNATIONAL



### ABOUT

The Stone Pendant Light is carved from white marble. Tough yet tactile, heavy and long lasting with individual personality. A play on our original, this Pendant Light comprises a halo hollowed from white marble with a central floating ball in the form of a brass tipped bulb. The stone is cut to the thinnest possible depth, so it appears to be semi-translucent, emphasizing its patterned surface.

### LEAD TIME

4 - 7 weeks

### LIGHT SOURCE

E27 60W LED  
2700K warm white  
Not dimmable  
Lamp included

### INSTALLATION

Ceiling mount  
Supplied with external driver.

### FLEX CORD COLOURS

Black Braided Cable,  
Length 150cm / 59".

### PRODUCT SIZE

Dia 18cm x H 16cm

### FITTING FINISHES

Gold

### SHADE COLOURS

White

### CERTIFICATION

CE/CCC/UL/SAA/KC

### WARRANTY

3 years

### Materials

Metal, Marble

### Voltage

AC 110-240V

### WEIGHT

3kg