

SPIRAL TRIANGLE PENDANT LIGHT  
PENDANT

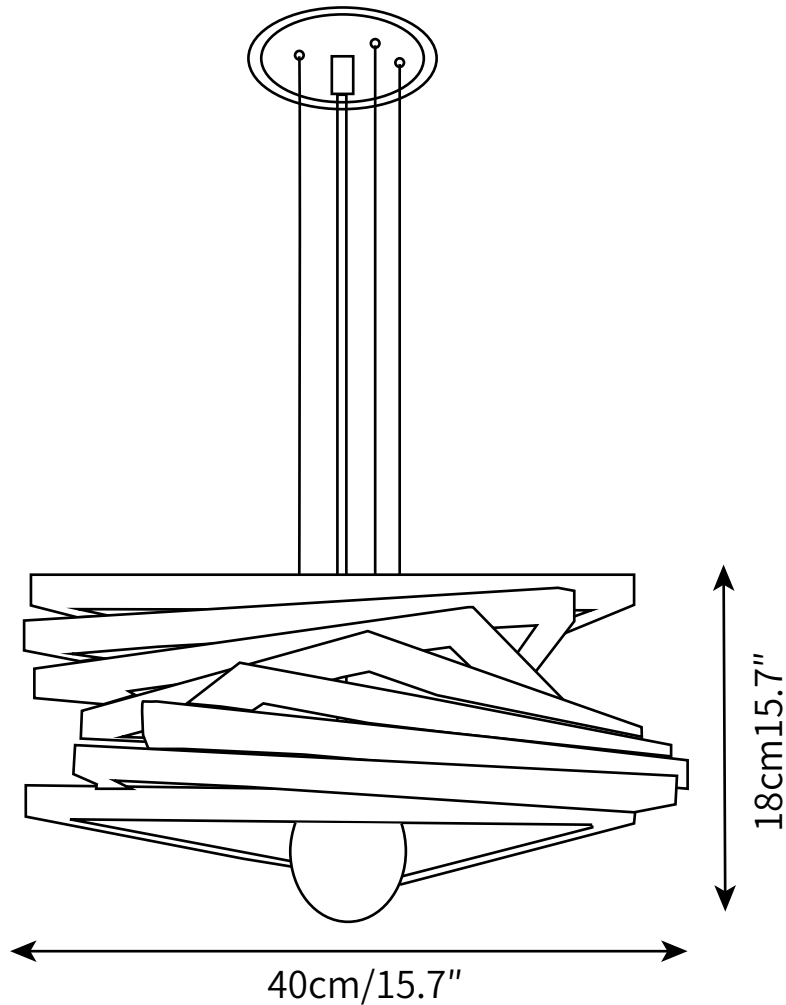
SPECIFICATION SHEET  
INTERNATIONAL



# SPIRAL TRIANGLE PENDANT LIGHT

PENDANT

SPECIFICATION SHEET  
INTERNATIONAL



## ABOUT

The Spiral Triangle Pendant Light logs are used in the high-end color design unique to nature, which is simple and quiet, showing a new state of beauty, rough in appearance, and perfect inwardly. With the rustic and romantic lamp shade to decor your home.

## LEAD TIME

4 - 7 weeks

## LIGHT SOURCE

E27 60W LED  
2700K warm white  
Not dimmable  
Lamp included

## INSTALLATION

Ceiling mount  
Supplied with external driver.

## FLEX CORD COLOURS

Black Braided Cable,  
Length 150cm / 59".

## PRODUCT SIZE

Dia 40cm x H 18cm

## FITTING FINISHES

Wooden

## SHADE COLOURS

Wooden

## CERTIFICATION

CE/CCC/UL/SAA/KC

## WARRANTY

3 years

## Materials

Wooden, Iron

## Voltage

AC 110-240V

## WEIGHT

3kg