

SONIAH WALL LAMP
WALL SCONCE

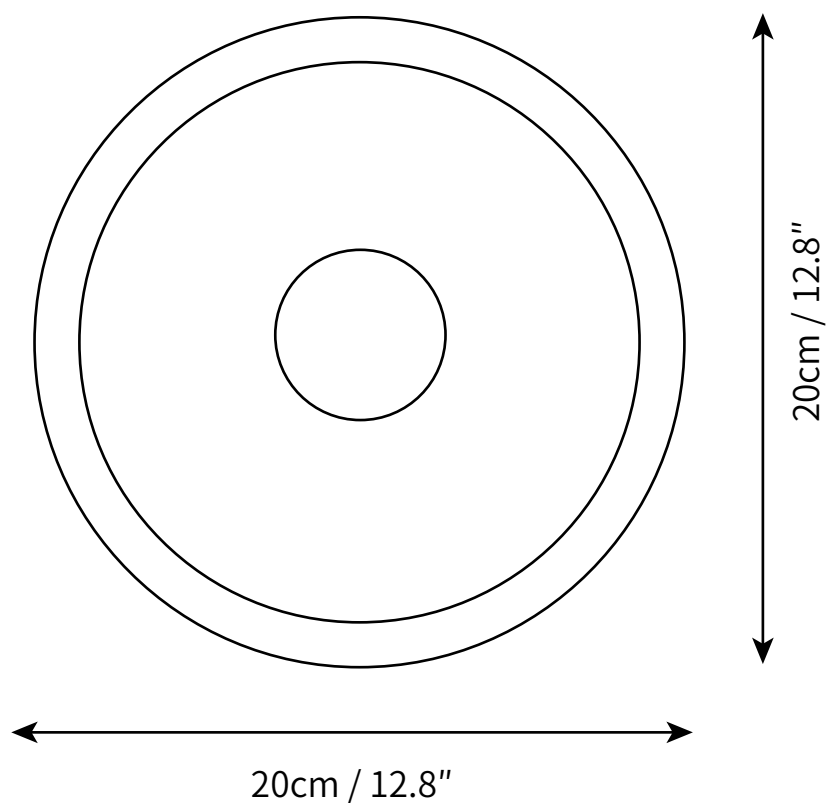
SPECIFICATION SHEET
INTERNATIONAL



SONIAH WALL LAMP

WALL SCONCE

SPECIFICATION SHEET
INTERNATIONAL



ABOUT

SONIAH tends toward the sun, filling the space with light. It grows singly or together with other sunflowers.

LEAD TIME

4 - 7 weeks

LIGHT SOURCE

E27*40W LED
2700K warm white
Not dimmable
Lamp included

INSTALLATION

Wall mount

FLEX CORD COLOURS

Hardwired

PRODUCT SIZE

Dia 20cm x H 20cm

FITTING FINISHES

White

SHADE COLOURS

White

Materials

Resin

CERTIFICATION

CE/CCC/UL/SAA/KC

WARRANTY

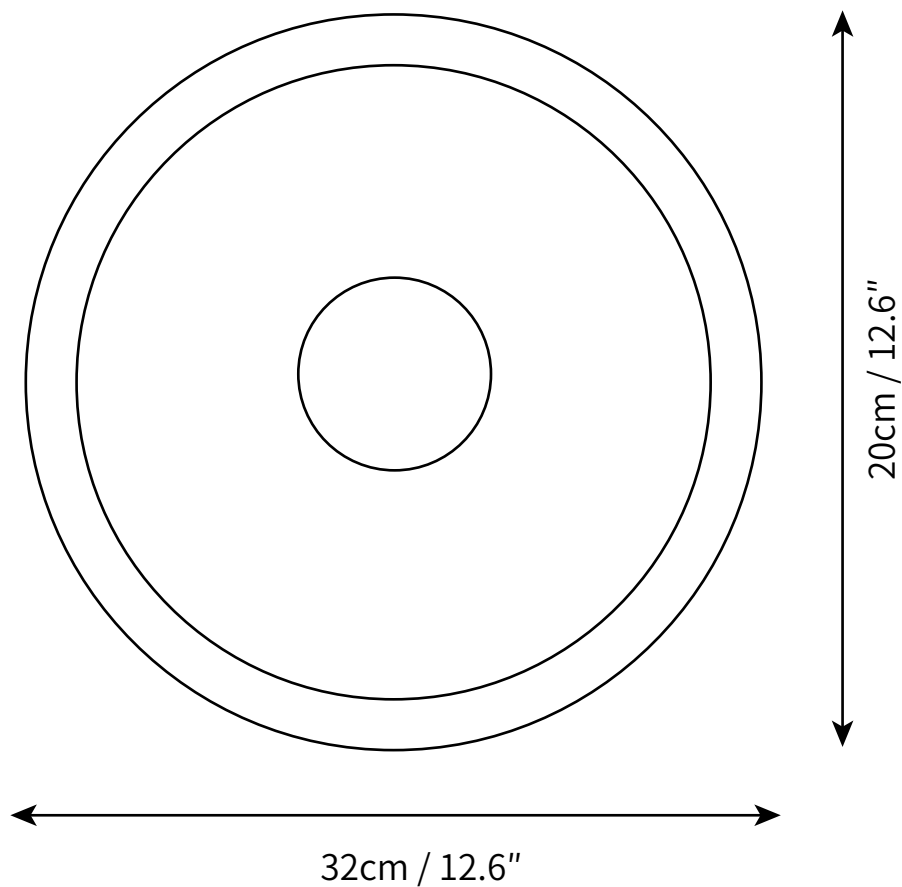
3 years

Voltage

AC 110-240V

WEIGHT

2kg



ABOUT

SONIAH tends toward the sun, filling the space with light. It grows singly or together with other sunflowers.

LEAD TIME

4 - 7 weeks

LIGHT SOURCE

E27*40W LED
2700K warm white
Not dimmable
Lamp included

INSTALLATION

Wall mount

FLEX CORD COLOURS

Hardwired

PRODUCT SIZE

Dia 32cm x H 32cm

FITTING FINISHES

White

SHADE COLOURS

White

Materials

Resin

CERTIFICATION

CE/CCC/UL/SAA/KC

WARRANTY

3 years

Voltage

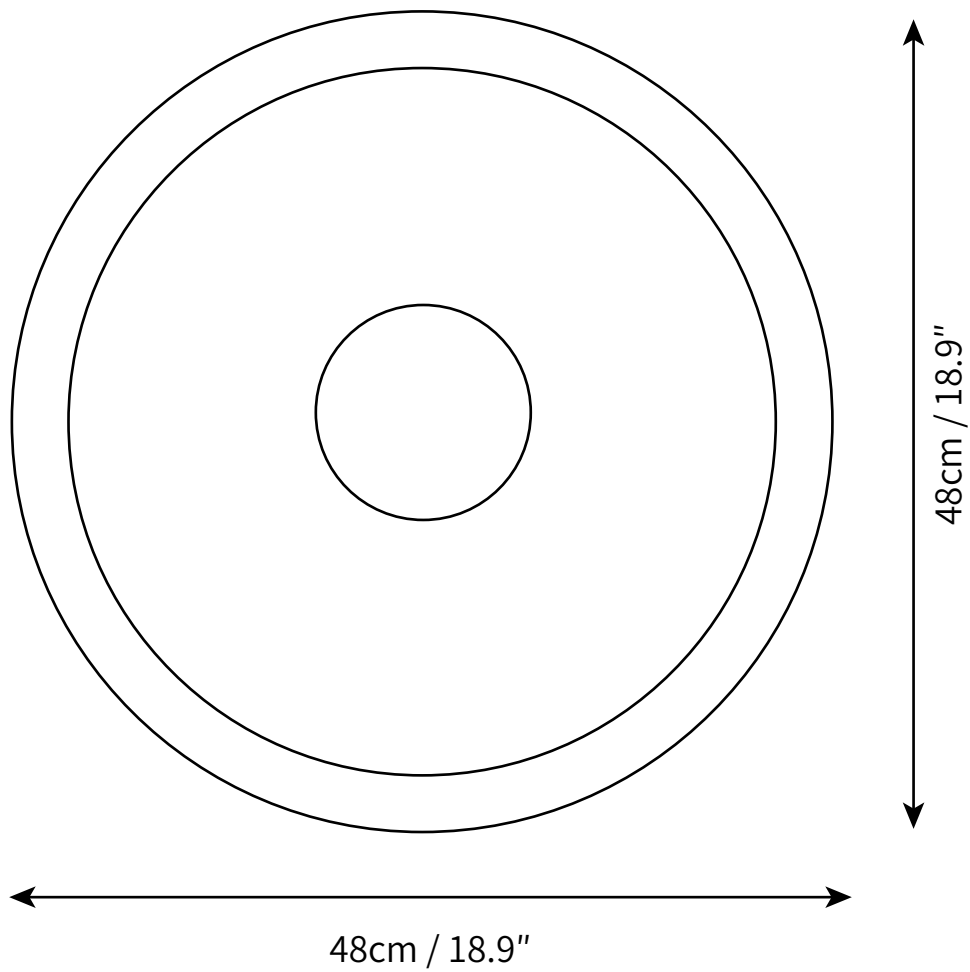
AC 110-240V

WEIGHT

2kg

SONIAH WALL LAMP
WALL SCONCE

SPECIFICATION SHEET
INTERNATIONAL



ABOUT

SONIAH tends toward the sun, filling the space with light. It grows singly or together with other sunflowers.

LEAD TIME

4 - 7 weeks

LIGHT SOURCE

E27*40W LED
2700K warm white
Not dimmable
Lamp included

INSTALLATION

Wall mount

FLEX CORD COLOURS

Hardwired

PRODUCT SIZE

Dia 48cm x H 48cm

FITTING FINISHES

White

SHADE COLOURS

White

Materials

Resin

CERTIFICATION

CE/CCC/UL/SAA/KC

WARRANTY

3 years

Voltage

AC 110-240V

WEIGHT

3kg