

SIBILLA PENDANT LAMP
PENDANT

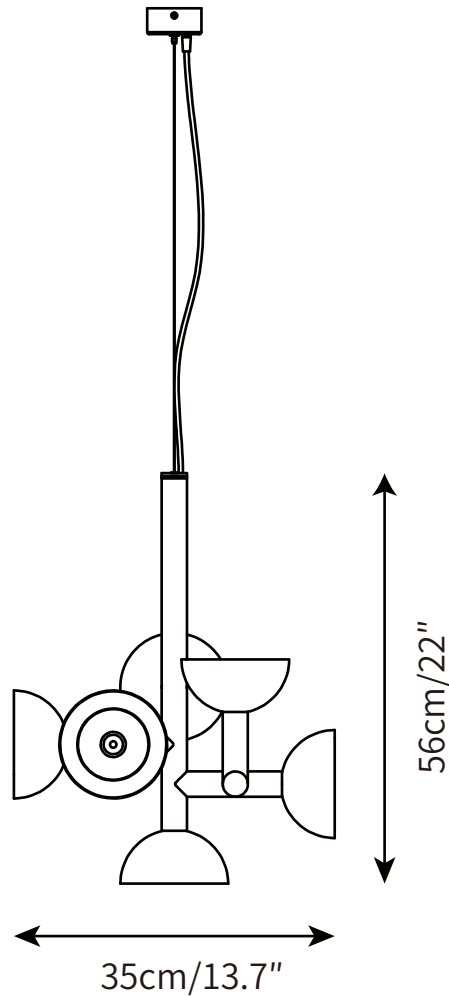
SPECIFICATION SHEET
INTERNATIONAL



SIBILLA PENDANT LAMP

PENDANT

SPECIFICATION SHEET
INTERNATIONAL



ABOUT

Sibyl, the voice of light. A central iron rod juts out into horizontal and vertical arms capped with domes that diffuse light. Bursts of light are channelled in all directions like sound waves from a suspended frame that animates the surrounding space with an expressive graphic boldness inspired by De Stijl. Evoking the myth of the sibyls, who were famously interrogated to elicit prophecies, this light was designed as if it were sound travelling through space, making its radiant voice heard as it exudes a sense of both poeticism and practicality.

LEAD TIME

4 - 7 weeks

LIGHT SOURCE

E27 40W LED
2700K warm white
Not dimmable
Lamp included

INSTALLATION

Ceiling mount

FLEX CORD COLOURS

Black Braided Cable,
Length 150cm / 59".

PRODUCT SIZE

Dia 35cm x H 56cm

FITTING FINISHES

White, Black

SHADE COLOURS

White, Black

CERTIFICATION

CE/CCC/UL/SAA/KC

WARRANTY

3 years

Materials

Metal, Acrylic

Voltage

AC 110-240V

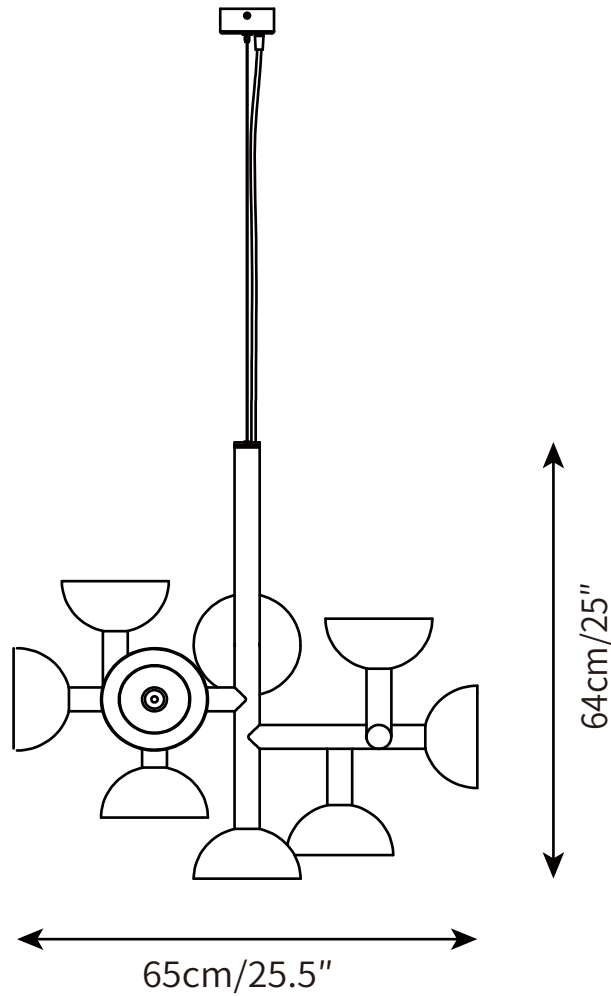
WEIGHT

6kg

SIBILLA PENDANT LAMP

PENDANT

SPECIFICATION SHEET
INTERNATIONAL



ABOUT

Sibyl, the voice of light. A central iron rod juts out into horizontal and vertical arms capped with domes that diffuse light. Bursts of light are channelled in all directions like sound waves from a suspended frame that animates the surrounding space with an expressive graphic boldness inspired by De Stijl. Evoking the myth of the sibyls, who were famously interrogated to elicit prophecies, this light was designed as if it were sound travelling through space, making its radiant voice heard as it exudes a sense of both poeticism and practicality.

LEAD TIME

4 - 7 weeks

LIGHT SOURCE

E27 40W LED
2700K warm white
Not dimmable
Lamp included

INSTALLATION

Ceiling mount

FLEX CORD COLOURS

Black Braided Cable,
Length 150cm / 59".

PRODUCT SIZE

Dia 65cm x H 50cm

FITTING FINISHES

White, Black

SHADE COLOURS

White, Black

CERTIFICATION

CE/CCC/UL/SAA/KC

WARRANTY

3 years

Materials

Metal, Acrylic

Voltage

AC 110-240V

WEIGHT

8kg