

PYRITE CHANDELIER
CHANDELIER

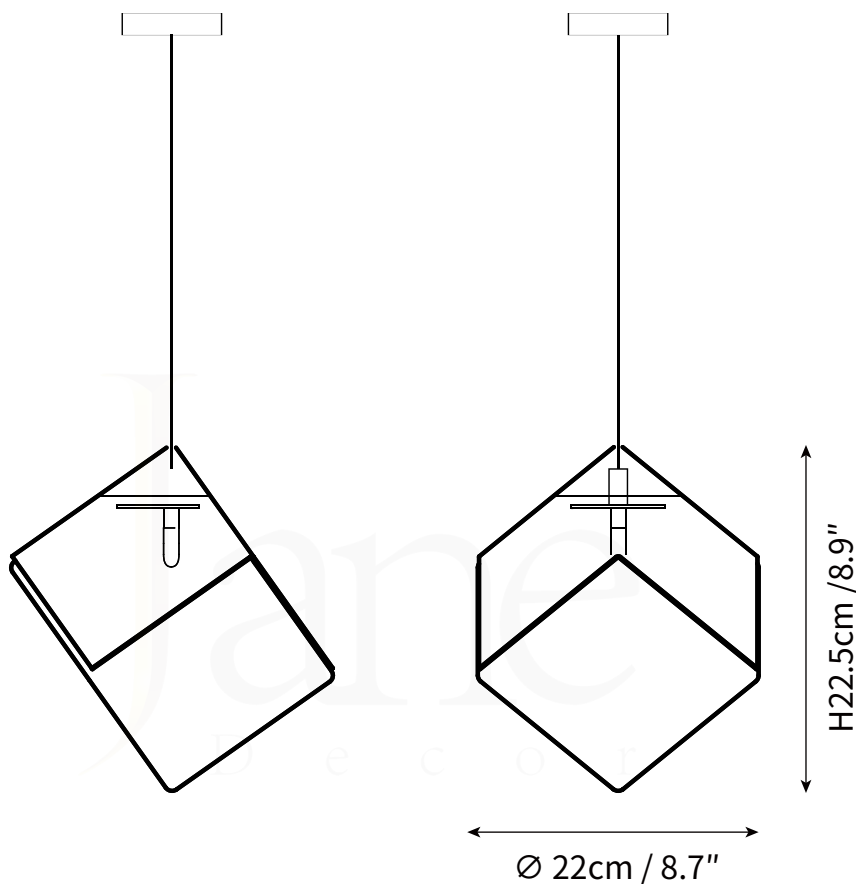
SPECIFICATION SHEET
INTERNATIONAL



PYRITE CHANDELIER

CHANDELIER

SPECIFICATION SHEET
INTERNATIONAL



ABOUT

The sculptural structures of minerals and their perfectly smooth surfaces are among the most precious treasures from the very core of the Earth, only revealing their optical magic once they encounter a source of light. This collection was inspired by pyrite, the golden fire-stone in the shape of a perfect cube, while the silver version of the shade reflects its inspiration in salt crystals. By blowing a molten organic substance into a precise cold form, the skilled hands of our glassmakers create a unique light fixture of elemental, yet perfect shape. The gleaming surface of this hand-blown crystal cube is enclosed from three sides by a polished metal component in either silver or gold tones. The Pyrite Collection excels in both exceptional design and top-quality materials.

LEAD TIME

4 - 7 weeks

LIGHT SOURCE

E27 60W LED
2700K warm white
Not dimmable
Lamp included

INSTALLATION

Ceiling mount,
hardwired.

ROD LENGTH

Black Braided Cable,
Length 150cm / 59".

PRODUCT SIZE

Dia 22cm x H 22.5cm

FITTING FINISHES

Golden, Chrome

SHADE COLOURS

Crystal clear

Materials

Metal, Crystal

CERTIFICATION

CE/CCC/UL/SAA/KC

WARRANTY

3 years

Voltage

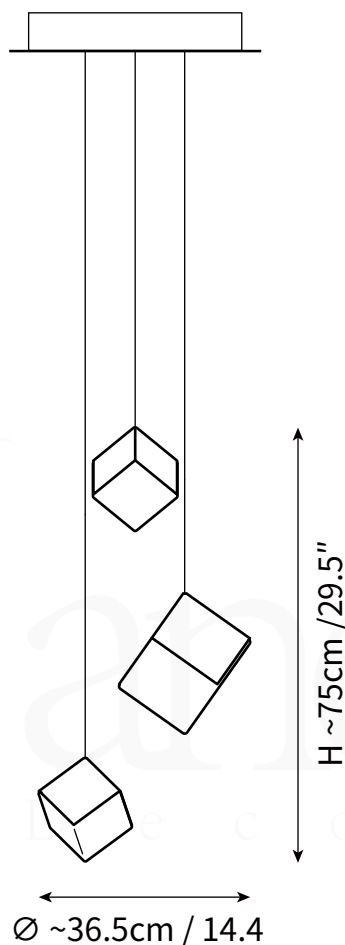
AC 110-240V

WEIGHT

2kg

CATERPILLAR PENDANT LAMP CHANDELIER

SPECIFICATION SHEET
INTERNATIONAL



ABOUT

The sculptural structures of minerals and their perfectly smooth surfaces are among the most precious treasures from the very core of the Earth, only revealing their optical magic once they encounter a source of light. This collection was inspired by pyrite, the golden fire-stone in the shape of a perfect cube, while the silver version of the shade reflects its inspiration in salt crystals. By blowing a molten organic substance into a precise cold form, the skilled hands of our glassmakers create a unique light fixture of elemental, yet perfect shape. The gleaming surface of this hand-blown crystal cube is enclosed from three sides by a polished metal component in either silver or gold tones. The Pyrite Collection excels in both exceptional design and top-quality materials.

LEAD TIME

4 - 7 weeks

LIGHT SOURCE

E27 60W LED
2700K warm white
Not dimmable
Lamp included

INSTALLATION

Ceiling mount,
hardwired.

ROD LENGTH

Black Braided Cable,
Length 150cm / 59".

PRODUCT SIZE

Dia 36.5cm x H 75cm

FITTING FINISHES

Golden, Chrome

SHADE COLOURS

Crystal clear

MATERIALS

Metal, Crystal

CERTIFICATION

CE/CCC/UL/SAA/KC

WARRANTY

3 years

VOLTAGE

AC 110-240V

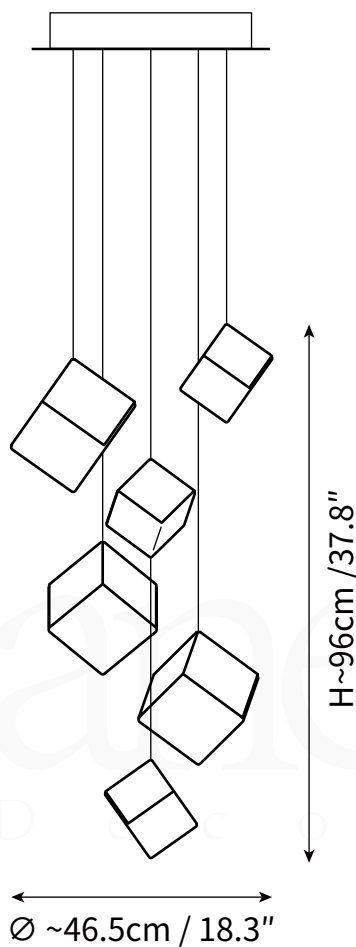
WEIGHT

11kg

PYRITE CHANDELIER

CHANDELIER

SPECIFICATION SHEET
INTERNATIONAL



ABOUT

The sculptural structures of minerals and their perfectly smooth surfaces are among the most precious treasures from the very core of the Earth, only revealing their optical magic once they encounter a source of light. This collection was inspired by pyrite, the golden fire-stone in the shape of a perfect cube, while the silver version of the shade reflects its inspiration in salt crystals. By blowing a molten organic substance into a precise cold form, the skilled hands of our glassmakers create a unique light fixture of elemental, yet perfect shape. The gleaming surface of this hand-blown crystal cube is enclosed from three sides by a polished metal component in either silver or gold tones. The Pyrite Collection excels in both exceptional design and top-quality materials.

LEAD TIME

4 - 7 weeks

LIGHT SOURCE

E27 60W LED
2700K warm white
Not dimmable
Lamp included

INSTALLATION

Ceiling mount,
hardwired.

ROD LENGTH

Black Braided Cable,
Length 150cm / 59".

PRODUCT SIZE

Dia 46.5cm x H 96cm

FITTING FINISHES

White

SHADE COLOURS

Crystal clear

MATERIALS

Metal, Crystal

CERTIFICATION

CE/CCC/UL/SAA/KC

WARRANTY

3 years

VOLTAGE

AC 110-240V

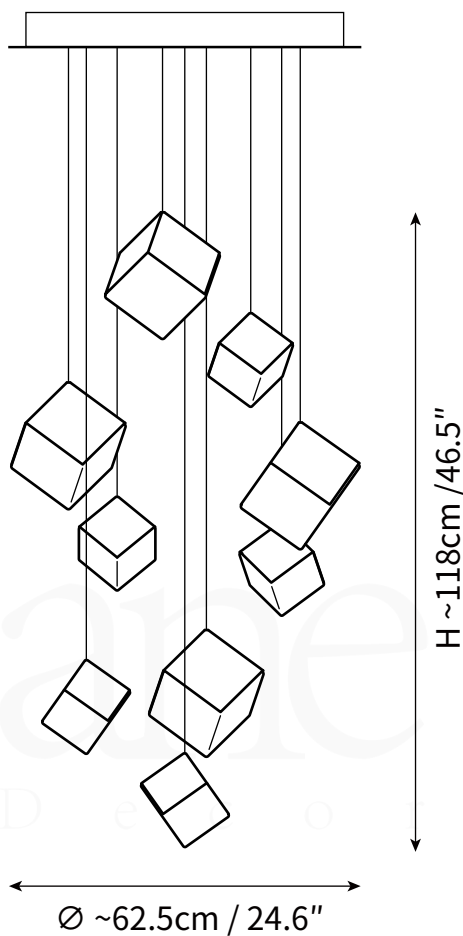
WEIGHT

17kg

PYRITE CHANDELIER

CHANDELIER

SPECIFICATION SHEET
INTERNATIONAL



ABOUT

The sculptural structures of minerals and their perfectly smooth surfaces are among the most precious treasures from the very core of the Earth, only revealing their optical magic once they encounter a source of light. This collection was inspired by pyrite, the golden fire-stone in the shape of a perfect cube, while the silver version of the shade reflects its inspiration in salt crystals. By blowing a molten organic substance into a precise cold form, the skilled hands of our glassmakers create a unique light fixture of elemental, yet perfect shape. The gleaming surface of this hand-blown crystal cube is enclosed from three sides by a polished metal component in either silver or gold tones. The Pyrite Collection excels in both exceptional design and top-quality materials.

LEAD TIME

4 - 7 weeks

LIGHT SOURCE

E27 60W LED
2700K warm white
Not dimmable
Lamp included

INSTALLATION

Ceiling mount,
hardwired.

ROD LENGTH

Black Braided Cable,
Length 150cm / 59".

PRODUCT SIZE

Dia 62.5cm x H 118cm

FITTING FINISHES

Golden, Chrome

SHADE COLOURS

Crystal clear

MATERIALS

Metal, Crystal

CERTIFICATION

CE/CCC/UL/SAA/KC

WARRANTY

3 years

VOLTAGE

AC 110-240V

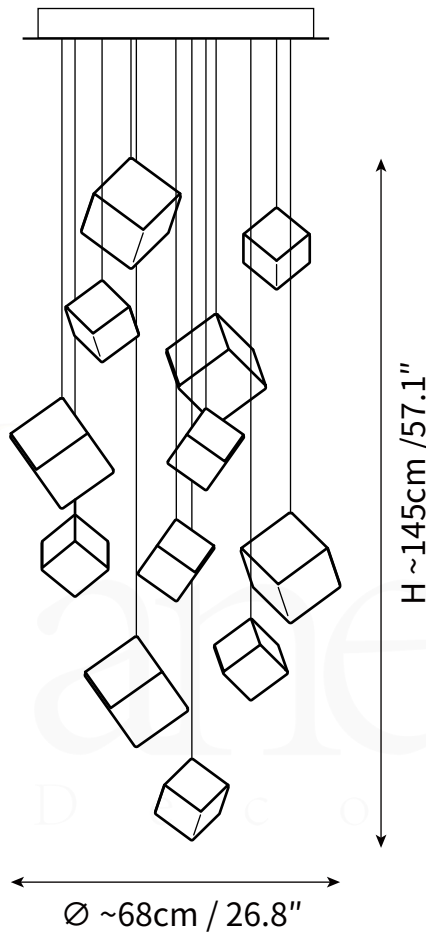
WEIGHT

30kg

PYRITE CHANDELIER

CHANDELIER

SPECIFICATION SHEET
INTERNATIONAL



ABOUT

The sculptural structures of minerals and their perfectly smooth surfaces are among the most precious treasures from the very core of the Earth, only revealing their optical magic once they encounter a source of light. This collection was inspired by pyrite, the golden fire-stone in the shape of a perfect cube, while the silver version of the shade reflects its inspiration in salt crystals. By blowing a molten organic substance into a precise cold form, the skilled hands of our glassmakers create a unique light fixture of elemental, yet perfect shape. The gleaming surface of this hand-blown crystal cube is enclosed from three sides by a polished metal component in either silver or gold tones. The Pyrite Collection excels in both exceptional design and top-quality materials.

LEAD TIME

4 - 7 weeks

LIGHT SOURCE

E27 60W LED
2700K warm white
Not dimmable
Lamp included

INSTALLATION

Ceiling mount,
hardwired.

ROD LENGTH

Black Braided Cable,
Length 150cm / 59".

PRODUCT SIZE

Dia 68cm x H 145cm

FITTING FINISHES

Golden, Chrome

SHADE COLOURS

Crystal clear

MATERIALS

Metal, Crystal

CERTIFICATION

CE/CCC/UL/SAA/KC

WARRANTY

3 years

VOLTAGE

AC 110-240V

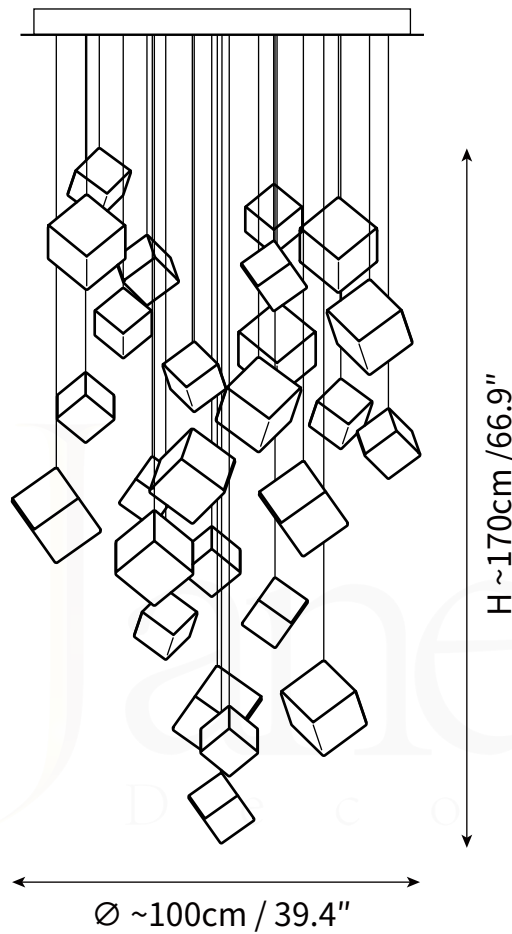
WEIGHT

35.5kg

PYRITE CHANDELIER

CHANDELIER

SPECIFICATION SHEET
INTERNATIONAL



ABOUT

The sculptural structures of minerals and their perfectly smooth surfaces are among the most precious treasures from the very core of the Earth, only revealing their optical magic once they encounter a source of light. This collection was inspired by pyrite, the golden fire-stone in the shape of a perfect cube, while the silver version of the shade reflects its inspiration in salt crystals. By blowing a molten organic substance into a precise cold form, the skilled hands of our glassmakers create a unique light fixture of elemental, yet perfect shape. The gleaming surface of this hand-blown crystal cube is enclosed from three sides by a polished metal component in either silver or gold tones. The Pyrite Collection excels in both exceptional design and top-quality materials.

LEAD TIME

4 - 7 weeks

LIGHT SOURCE

E27 60W LED
2700K warm white
Not dimmable
Lamp included

INSTALLATION

Ceiling mount,
hardwired.

ROD LENGTH

Black Braided Cable,
Length 150cm / 59".

PRODUCT SIZE

Dia 100cm x H 170cm

FITTING FINISHES

Golden, Chrome

SHADE COLOURS

Crystal clear

Materials

Metal, Crystal

CERTIFICATION

CE/CCC/UL/SAA/KC

WARRANTY

3 years

Voltage

AC 110-240V

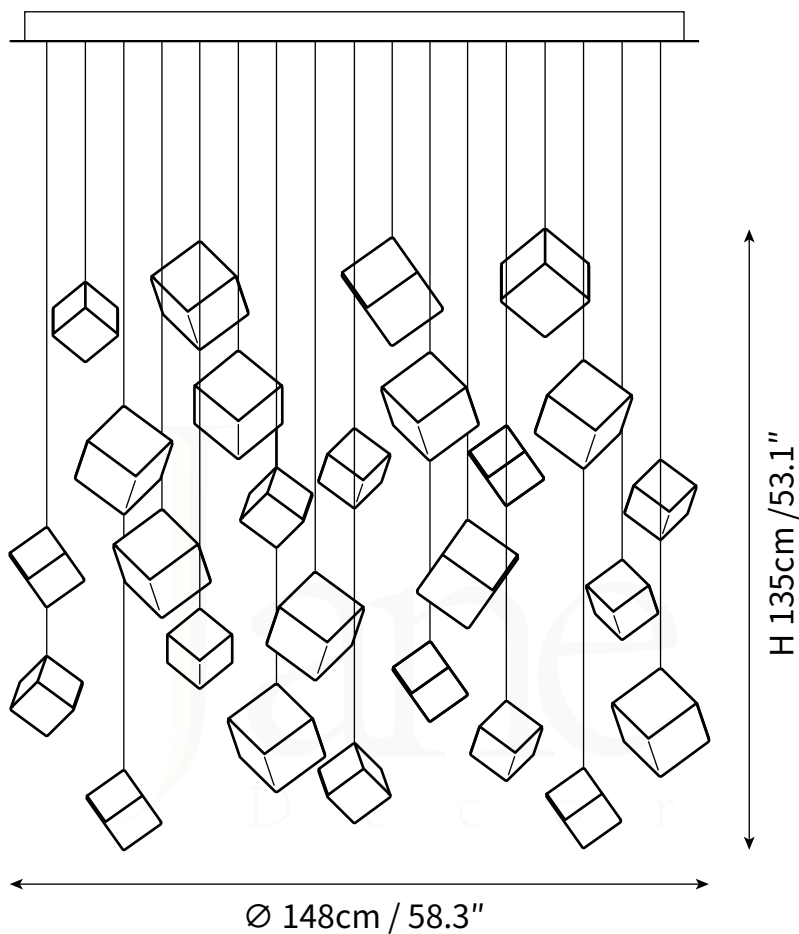
WEIGHT

78kg

PYRITE CHANDELIER

CHANDELIER

SPECIFICATION SHEET
INTERNATIONAL



ABOUT

The sculptural structures of minerals and their perfectly smooth surfaces are among the most precious treasures from the very core of the Earth, only revealing their optical magic once they encounter a source of light. This collection was inspired by pyrite, the golden fire-stone in the shape of a perfect cube, while the silver version of the shade reflects its inspiration in salt crystals. By blowing a molten organic substance into a precise cold form, the skilled hands of our glassmakers create a unique light fixture of elemental, yet perfect shape. The gleaming surface of this hand-blown crystal cube is enclosed from three sides by a polished metal component in either silver or gold tones. The Pyrite Collection excels in both exceptional design and top-quality materials.

LEAD TIME

4 - 7 weeks

LIGHT SOURCE

E27 60W LED
2700K warm white
Not dimmable
Lamp included

INSTALLATION

Ceiling mount,
hardwired.

ROD LENGTH

Black Braided Cable,
Length 150cm / 59".

PRODUCT SIZE

Dia 148cm x H 135cm

FITTING FINISHES

Golden, Chrome

SHADE COLOURS

Crystal clear

MATERIALS

Metal, Crystal

CERTIFICATION

CE/CCC/UL/SAA/KC

WARRANTY

3 years

VOLTAGE

AC 110-240V

WEIGHT

71.5kg