

NELSON WALL SCONCE  
WALL SCONCE

SPECIFICATION SHEET  
INTERNATIONAL

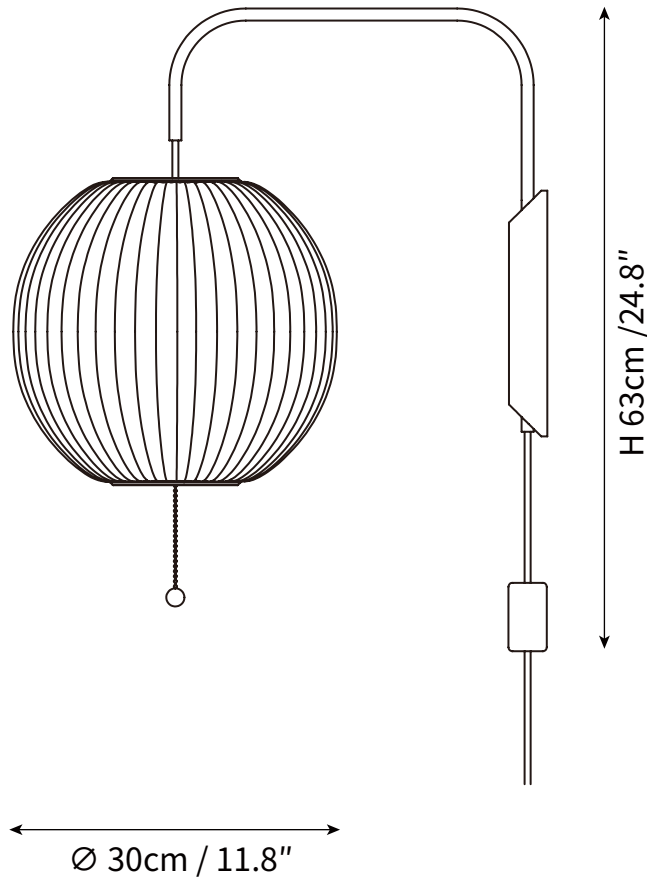


# NELSON WALL SCONCE

WALL SCONCE

## SPECIFICATION SHEET

INTERNATIONAL



### ABOUT

Variations on an essentially spherical form, the Bubble Lamp series is a distinguished and timeless design. The Nelson Ball Wall Sconce is designed with a swivel hinge and an adjustable plug-in cord, allowing easy movement of the lampshade without readjusting it on the wall. Their expensive price prevented him from buying one, but also inspired him to design his own. The result was a series of lamps with elemental, spherical shapes like a rounded apple, an elongated cigar, and a shapely pear, among others.

### LEAD TIME

4 - 7 weeks

### LIGHT SOURCE

E27 40W LED  
2700K warm white  
Not dimmable  
Lamp included

### INSTALLATION

Wall mount

### FLEX CORD COLOURS

Hardwired

### PRODUCT SIZE

Dia 30cm x H 63cm

### FITTING FINISHES

White

### SHADE COLOURS

White

### MATERIALS

Polymer, steel wire

### CERTIFICATION

CE/CCC/UL/SAA/KC

### WARRANTY

3 years

### VOLTAGE

AC 110-240V

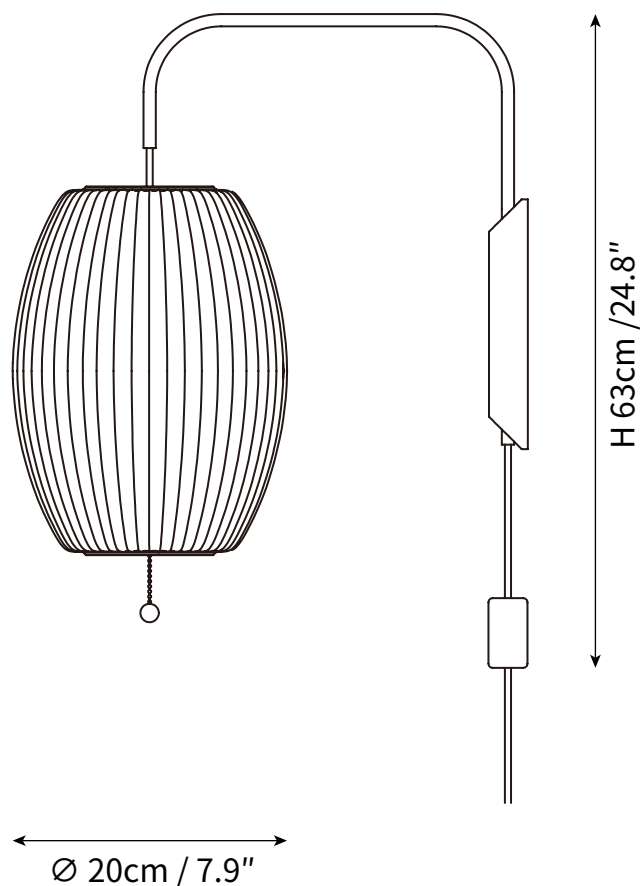
### WEIGHT

3kg

# NELSON WALL SCONCE

## WALL SCONCE

SPECIFICATION SHEET  
INTERNATIONAL



### ABOUT

Variations on an essentially spherical form, the Bubble Lamp series is a distinguished and timeless design. The Nelson Ball Wall Sconce is designed with a swivel hinge and an adjustable plug-in cord, allowing easy movement of the lampshade without readjusting it on the wall. Their expensive price prevented him from buying one, but also inspired him to design his own. The result was a series of lamps with elemental, spherical shapes like a rounded apple, an elongated cigar, and a shapely pear, among others.

### LEAD TIME

4 - 7 weeks

### LIGHT SOURCE

E27 40W LED  
2700K warm white  
Not dimmable  
Lamp included

### INSTALLATION

Wall mount

### FLEX CORD COLOURS

Hardwired

### PRODUCT SIZE

Dia 20cm x H 63cm

### FITTING FINISHES

White

### SHADE COLOURS

White

### MATERIALS

Polymer, steel wire

### CERTIFICATION

CE/CCC/UL/SAA/KC

### WARRANTY

3 years

### VOLTAGE

AC 110-240V

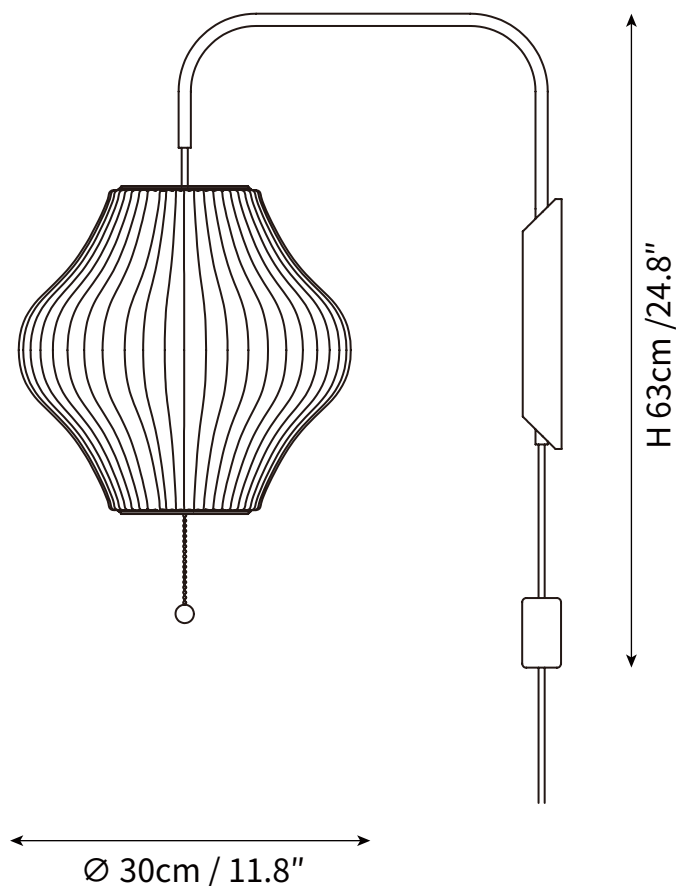
### WEIGHT

3kg

# NELSON WALL SCONCE

## WALL SCONCE

SPECIFICATION SHEET  
INTERNATIONAL



### ABOUT

Variations on an essentially spherical form, the Bubble Lamp series is a distinguished and timeless design. The Nelson Ball Wall Sconce is designed with a swivel hinge and an adjustable plug-in cord, allowing easy movement of the lampshade without readjusting it on the wall. Their expensive price prevented him from buying one, but also inspired him to design his own. The result was a series of lamps with elemental, spherical shapes like a rounded apple, an elongated cigar, and a shapely pear, among others.

### LEAD TIME

4 - 7 weeks

### LIGHT SOURCE

E27 40W LED  
2700K warm white  
Not dimmable  
Lamp included

### INSTALLATION

Wall mount

### FLEX CORD COLOURS

Hardwired

### PRODUCT SIZE

Dia 30cm x H 63cm

### FITTING FINISHES

White

### SHADE COLOURS

White

### MATERIALS

Polymer, steel wire

### CERTIFICATION

CE/CCC/UL/SAA/KC

### WARRANTY

3 years

### VOLTAGE

AC 110-240V

### WEIGHT

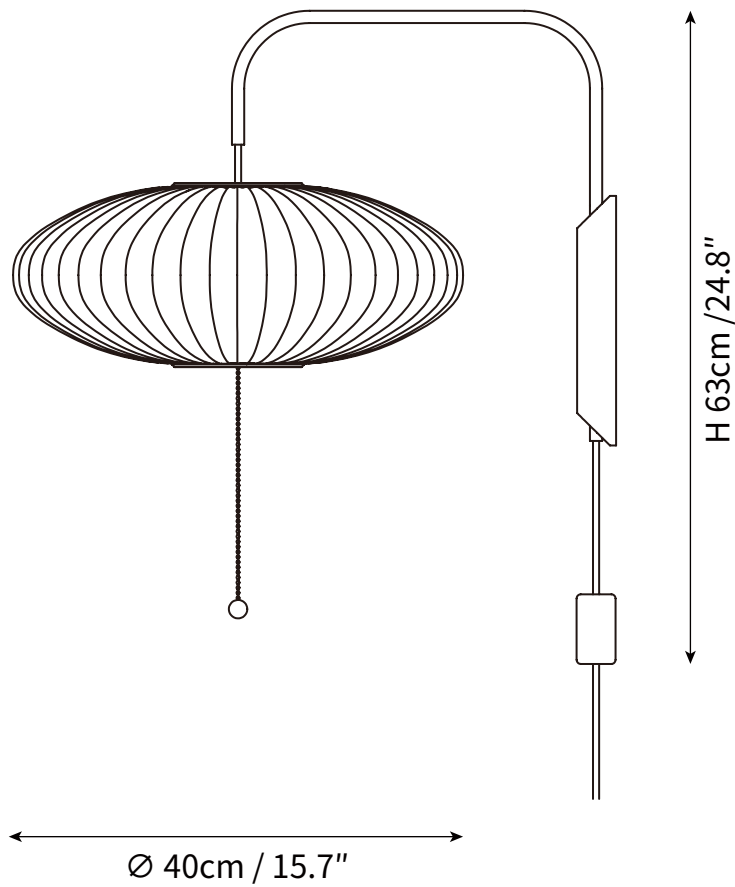
3kg

# NELSON WALL SCONCE

WALL SCONCE

# SPECIFICATION SHEET

INTERNATIONAL



## ABOUT

Variations on an essentially spherical form, the Bubble Lamp series is a distinguished and timeless design. The Nelson Ball Wall Sconce is designed with a swivel hinge and an adjustable plug-in cord, allowing easy movement of the lampshade without readjusting it on the wall. Their expensive price prevented him from buying one, but also inspired him to design his own. The result was a series of lamps with elemental, spherical shapes like a rounded apple, an elongated cigar, and a shapely pear, among others.

## LEAD TIME

4 - 7 weeks

## LIGHT SOURCE

E27 40W LED  
2700K warm white  
Not dimmable  
Lamp included

## INSTALLATION

Wall mount

## FLEX CORD COLOURS

Hardwired

## PRODUCT SIZE

Dia 40cm x H 63cm

## FITTING FINISHES

White

## SHADE COLOURS

White

## MATERIALS

Polymer, steel wire

## CERTIFICATION

CE/CCC/UL/SAA/KC

## WARRANTY

3 years

## VOLTAGE

AC 110-240V

## WEIGHT

3kg