

NELSON BUBBLE PENDANT LAMP
PENDANT

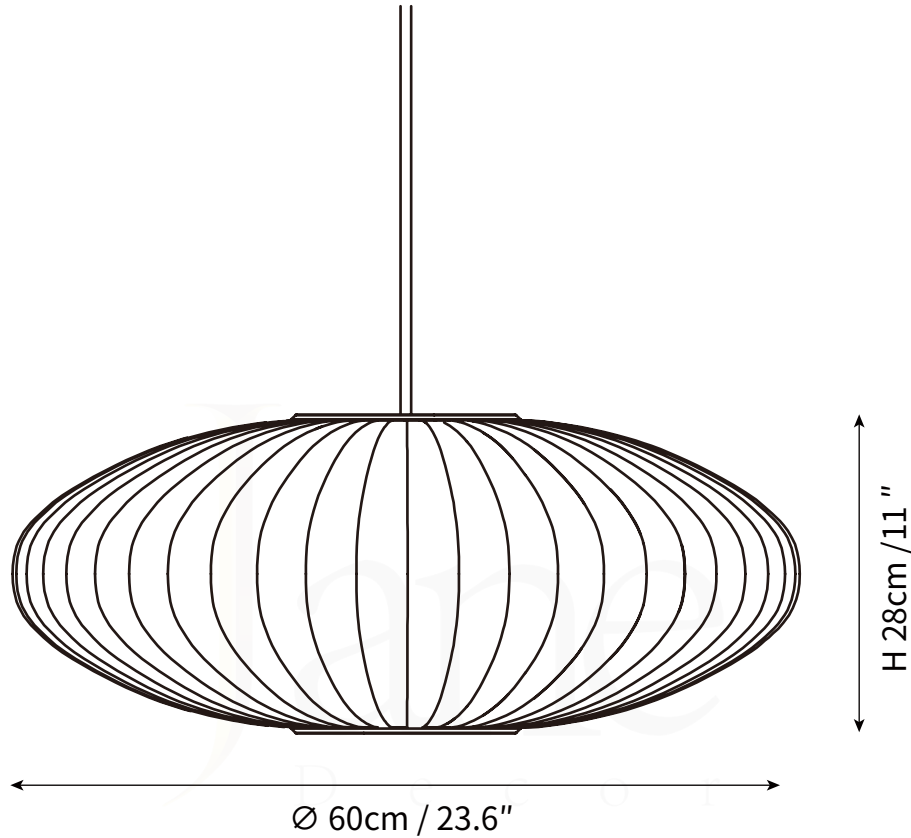
SPECIFICATION SHEET
INTERNATIONAL



NELSON BUBBLE PENDANT LAMP

PENDANT

SPECIFICATION SHEET
INTERNATIONAL



ABOUT

The Nelson Ball Crisscross Bubble Pendant is based on the original 1952 design by the ingenious and resourceful George Nelson. Utilizing U.S. military techniques and surplus supplies after the Second World War, he was able to create the first set of Nelson Bubble Lamps; covering them in a translucent white plastic spray which results in a soft, organic aesthetic when illuminated. The lightweight steel wireframe of the Bubble Pendant ensures its shape is kept even when under tension, and in this particular piece a network of interconnected steel wires produces a delightful geometric crisscross pattern. Hang the Crisscross Bubble Pendant in a cluster to create a delicate ambient glow in your interior.

LEAD TIME

4 - 7 weeks

LIGHT SOURCE

E27 40W LED
2700K warm white
Not dimmable
Lamp included

INSTALLATION

Ceiling mount

FLEX CORD COLOURS

Black Braided Cable,
Length 150cm / 59".

PRODUCT SIZE

Dia 40cm x H 22cm
Dia 50cm x H 25cm
Dia 60cm x H 28cm
Dia 70cm x H 30cm
Dia 80cm x H 35cm

FITTING FINISHES

White

SHADE COLOURS

White

CERTIFICATION

CE/CCC/UL/SAA/KC

WARRANTY

3 years

Materials

Polymer, Steel wire

Voltage

AC 110-240V

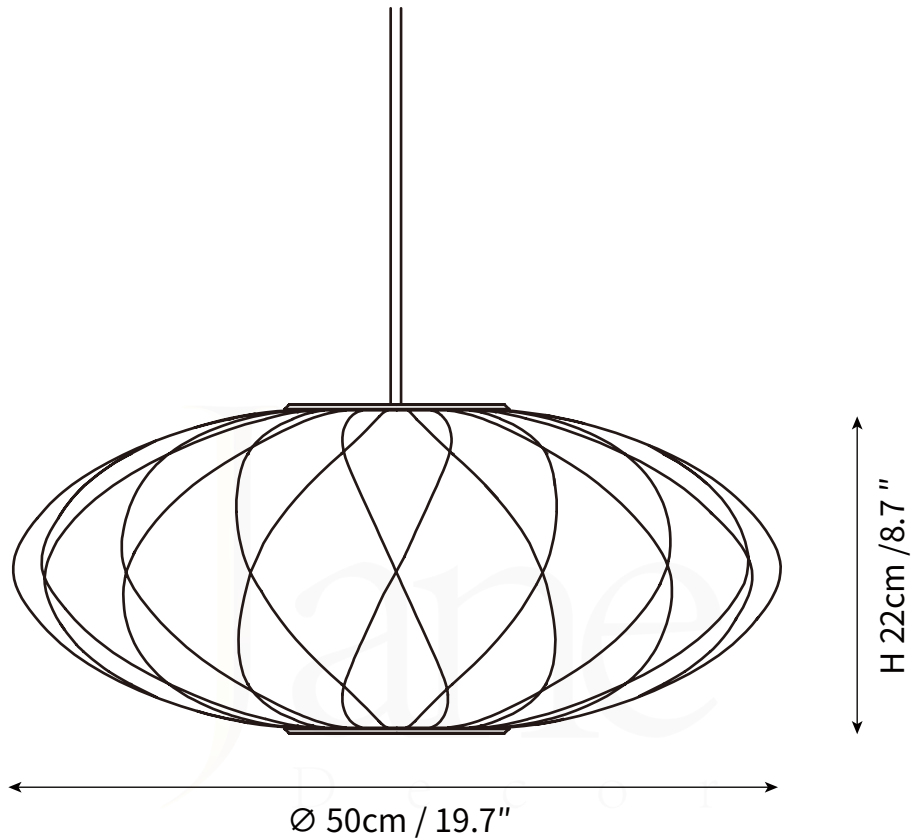
WEIGHT

10kg

NELSON BUBBLE PENDANT LAMP

PENDANT

SPECIFICATION SHEET
INTERNATIONAL



ABOUT

The Nelson Ball Crisscross Bubble Pendant is based on the original 1952 design by the ingenious and resourceful George Nelson. Utilizing U.S. military techniques and surplus supplies after the Second World War, he was able to create the first set of Nelson Bubble Lamps; covering them in a translucent white plastic spray which results in a soft, organic aesthetic when illuminated. The lightweight steel wireframe of the Bubble Pendant ensures its shape is kept even when under tension, and in this particular piece a network of interconnected steel wires produces a delightful geometric crisscross pattern. Hang the Crisscross Bubble Pendant in a cluster to create a delicate ambient glow in your interior.

LEAD TIME

4 - 7 weeks

LIGHT SOURCE

E27 40W LED
2700K warm white
Not dimmable
Lamp included

INSTALLATION

Ceiling mount

FLEX CORD COLOURS

Black Braided Cable,
Length 150cm / 59".

PRODUCT SIZE

Dia 40cm x H 22cm
Dia 50cm x H 22cm
Dia 60cm x H 22cm

FITTING FINISHES

White

SHADE COLOURS

White

CERTIFICATION

CE/CCC/UL/SAA/KC

WARRANTY

3 years

Materials

Polymer, Steel wire

Voltage

AC 110-240V

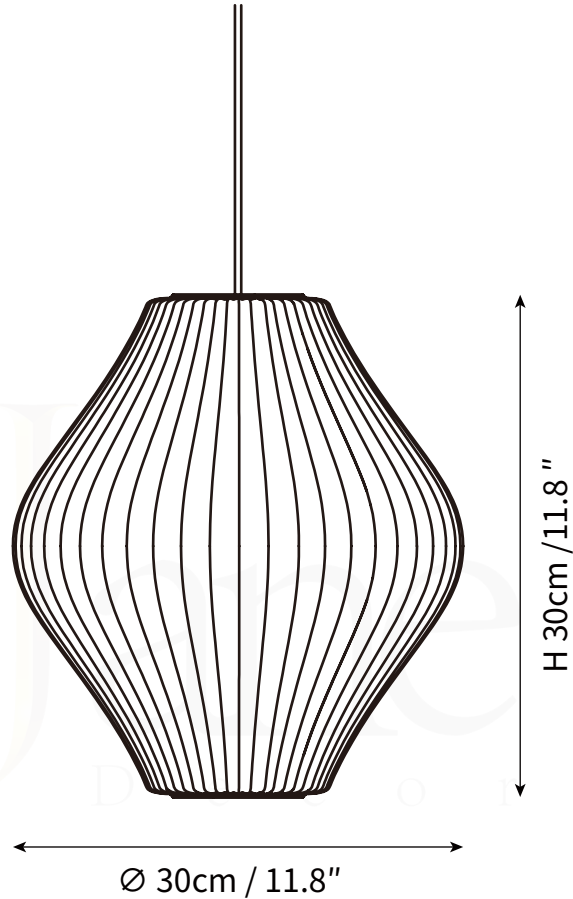
WEIGHT

10kg

NELSON BUBBLE PENDANT LAMP

PENDANT

SPECIFICATION SHEET
INTERNATIONAL



ABOUT

The Nelson Ball Crisscross Bubble Pendant is based on the original 1952 design by the ingenious and resourceful George Nelson. Utilizing U.S. military techniques and surplus supplies after the Second World War, he was able to create the first set of Nelson Bubble Lamps; covering them in a translucent white plastic spray which results in a soft, organic aesthetic when illuminated. The lightweight steel wireframe of the Bubble Pendant ensures its shape is kept even when under tension, and in this particular piece a network of interconnected steel wires produces a delightful geometric crisscross pattern. Hang the Crisscross Bubble Pendant in a cluster to create a delicate ambient glow in your interior.

LEAD TIME

4 - 7 weeks

LIGHT SOURCE

E27 40W LED
2700K warm white
Not dimmable
Lamp included

INSTALLATION

Ceiling mount

FLEX CORD COLOURS

Black Braided Cable,
Length 150cm / 59".

PRODUCT SIZE

Dia 30cm x H 30cm

FITTING FINISHES

White

SHADE COLOURS

White

CERTIFICATION

CE/CCC/UL/SAA/KC

WARRANTY

3 years

Materials

Polymer, Steel wire

Voltage

AC 110-240V

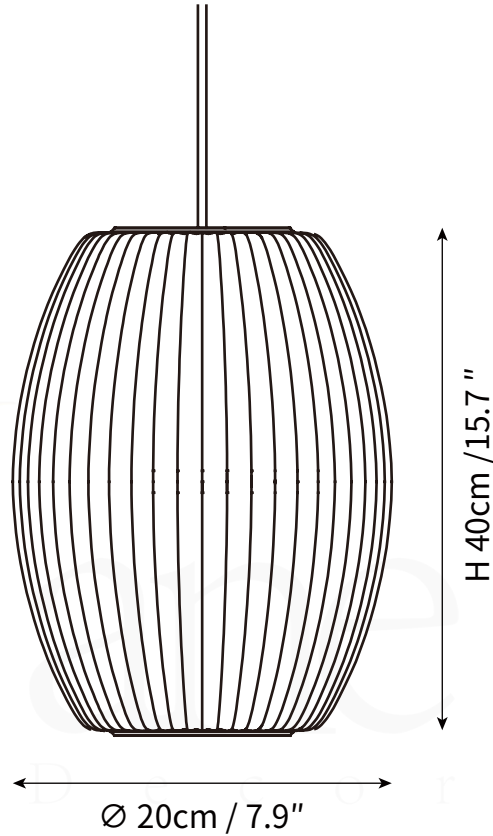
WEIGHT

10kg

NELSON BUBBLE PENDANT LAMP

PENDANT

SPECIFICATION SHEET
INTERNATIONAL



ABOUT

The Nelson Ball Crisscross Bubble Pendant is based on the original 1952 design by the ingenious and resourceful George Nelson. Utilizing U.S. military techniques and surplus supplies after the Second World War, he was able to create the first set of Nelson Bubble Lamps; covering them in a translucent white plastic spray which results in a soft, organic aesthetic when illuminated. The lightweight steel wireframe of the Bubble Pendant ensures its shape is kept even when under tension, and in this particular piece a network of interconnected steel wires produces a delightful geometric crisscross pattern. Hang the Crisscross Bubble Pendant in a cluster to create a delicate ambient glow in your interior.

LEAD TIME

4 - 7 weeks

LIGHT SOURCE

E27 40W LED
2700K warm white
Not dimmable
Lamp included

INSTALLATION

Ceiling mount

FLEX CORD COLOURS

Black Braided Cable,
Length 150cm / 59".

PRODUCT SIZE

Dia 20cm x H 40cm
Dia 30cm x H 60cm
Dia 35cm x H 95cm

FITTING FINISHES

White

SHADE COLOURS

White

CERTIFICATION

CE/CCC/UL/SAA/KC

WARRANTY

3 years

Materials

Polymer, steel wire

Voltage

AC 110-240V

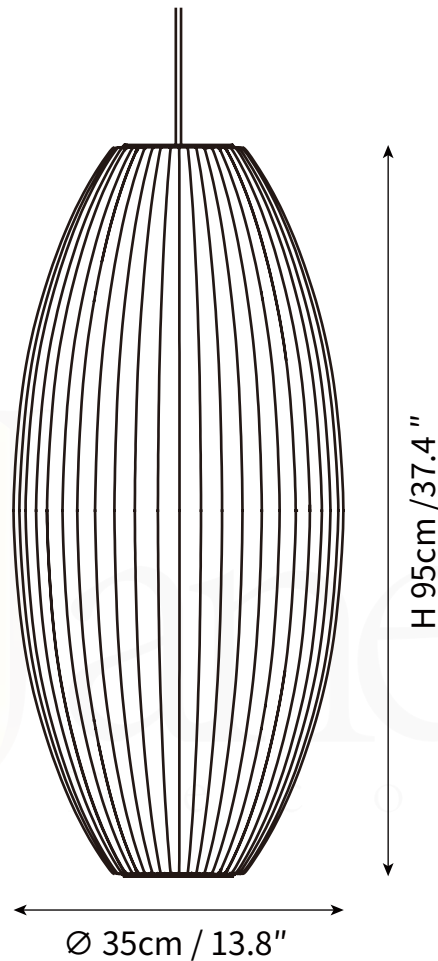
WEIGHT

10kg

NELSON BUBBLE PENDANT LAMP

PENDANT

SPECIFICATION SHEET
INTERNATIONAL



ABOUT

The Nelson Ball Crisscross Bubble Pendant is based on the original 1952 design by the ingenious and resourceful George Nelson. Utilizing U.S. military techniques and surplus supplies after the Second World War, he was able to create the first set of Nelson Bubble Lamps; covering them in a translucent white plastic spray which results in a soft, organic aesthetic when illuminated. The lightweight steel wireframe of the Bubble Pendant ensures its shape is kept even when under tension, and in this particular piece a network of interconnected steel wires produces a delightful geometric crisscross pattern. Hang the Crisscross Bubble Pendant in a cluster to create a delicate ambient glow in your interior.

LEAD TIME

4 - 7 weeks

LIGHT SOURCE

E27 40W LED
2700K warm white
Not dimmable
Lamp included

INSTALLATION

Ceiling mount

FLEX CORD COLOURS

Black Braided Cable,
Length 150cm / 59".

PRODUCT SIZE

Dia 20cm x H 40cm
Dia 30cm x H 60cm
Dia 35cm x H 95cm

FITTING FINISHES

White

SHADE COLOURS

White

CERTIFICATION

CE/CCC/UL/SAA/KC

WARRANTY

3 years

Materials

Polymer, steel wire

Voltage

AC 110-240V

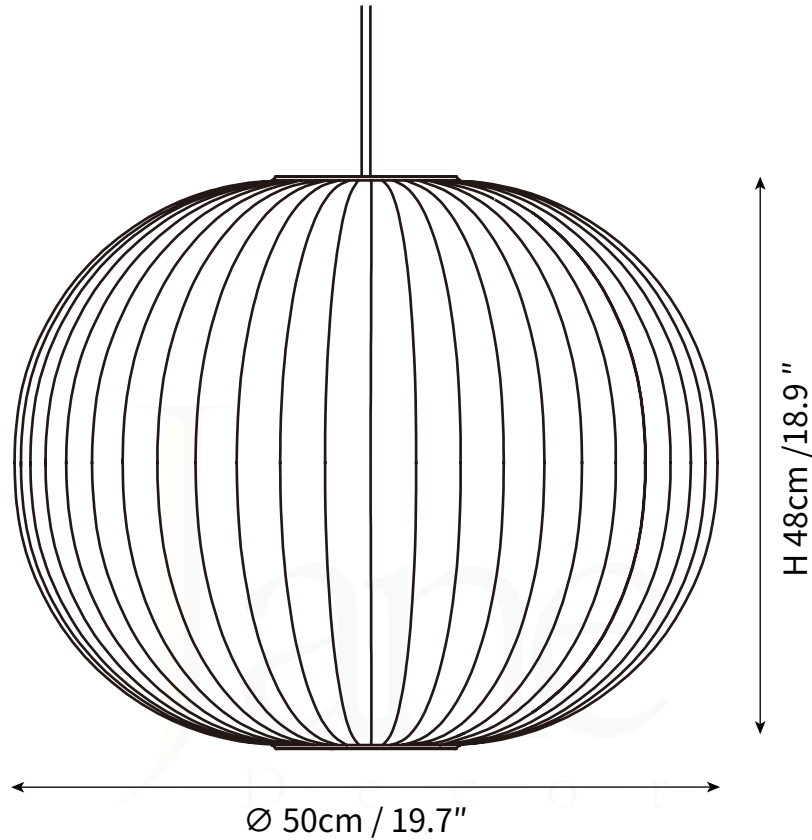
WEIGHT

10kg

NELSON BUBBLE PENDANT LAMP

PENDANT

SPECIFICATION SHEET
INTERNATIONAL



ABOUT

The Nelson Ball Crisscross Bubble Pendant is based on the original 1952 design by the ingenious and resourceful George Nelson. Utilizing U.S. military techniques and surplus supplies after the Second World War, he was able to create the first set of Nelson Bubble Lamps; covering them in a translucent white plastic spray which results in a soft, organic aesthetic when illuminated. The lightweight steel wireframe of the Bubble Pendant ensures its shape is kept even when under tension, and in this particular piece a network of interconnected steel wires produces a delightful geometric crisscross pattern. Hang the Crisscross Bubble Pendant in a cluster to create a delicate ambient glow in your interior.

LEAD TIME

4 - 7 weeks

LIGHT SOURCE

E27 40W LED
2700K warm white
Not dimmable
Lamp included

INSTALLATION

Ceiling mount

FLEX CORD COLOURS

Black Braided Cable,
Length 150cm / 59".

PRODUCT SIZE

Dia 30cm x H 28cm
Dia 40cm x H 36cm
Dia 50cm x H 48cm
Dia 60cm x H 58cm

FITTING FINISHES

White

SHADE COLOURS

White

CERTIFICATION

CE/CCC/UL/SAA/KC

WARRANTY

3 years

Materials

Polymer, steel wire

Voltage

AC 110-240V

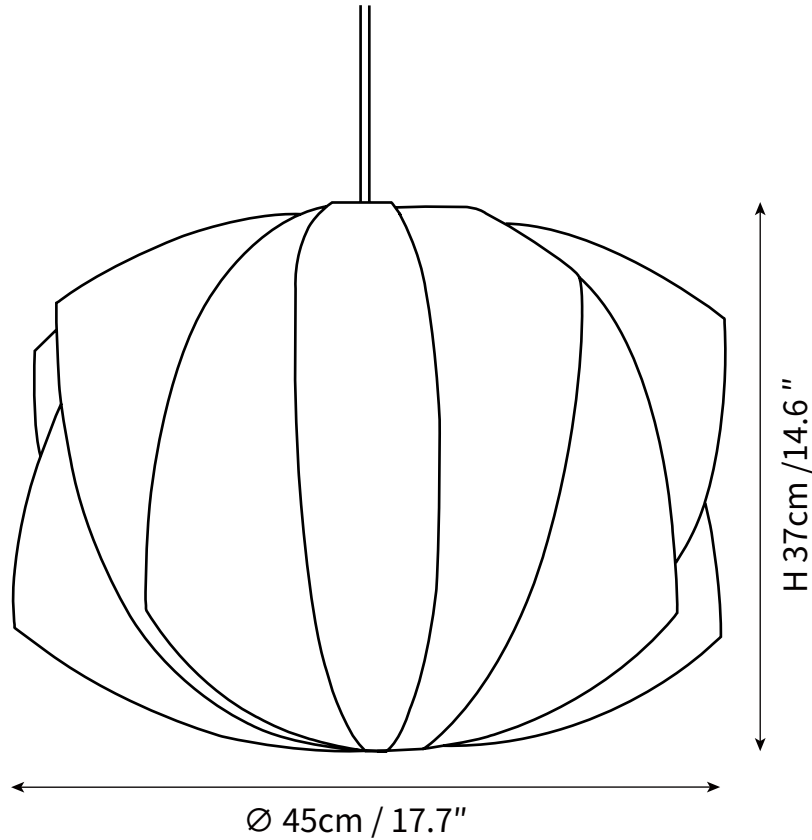
WEIGHT

10kg

NELSON BUBBLE PENDANT LAMP

PENDANT

SPECIFICATION SHEET
INTERNATIONAL



ABOUT

The Nelson Ball Crisscross Bubble Pendant is based on the original 1952 design by the ingenious and resourceful George Nelson. Utilizing U.S. military techniques and surplus supplies after the Second World War, he was able to create the first set of Nelson Bubble Lamps; covering them in a translucent white plastic spray which results in a soft, organic aesthetic when illuminated. The lightweight steel wireframe of the Bubble Pendant ensures its shape is kept even when under tension, and in this particular piece a network of interconnected steel wires produces a delightful geometric crisscross pattern. Hang the Crisscross Bubble Pendant in a cluster to create a delicate ambient glow in your interior.

LEAD TIME

4 - 7 weeks

LIGHT SOURCE

E27 40W LED
2700K warm white
Not dimmable
Lamp included

INSTALLATION

Ceiling mount

FLEX CORD COLOURS

Black Braided Cable,
Length 150cm / 59".

PRODUCT SIZE

Dia 45cm x H 37cm

FITTING FINISHES

White

SHADE COLOURS

White

CERTIFICATION

CE/CCC/UL/SAA/KC

WARRANTY

3 years

Materials

Polymer, steel wire

Voltage

AC 110-240V

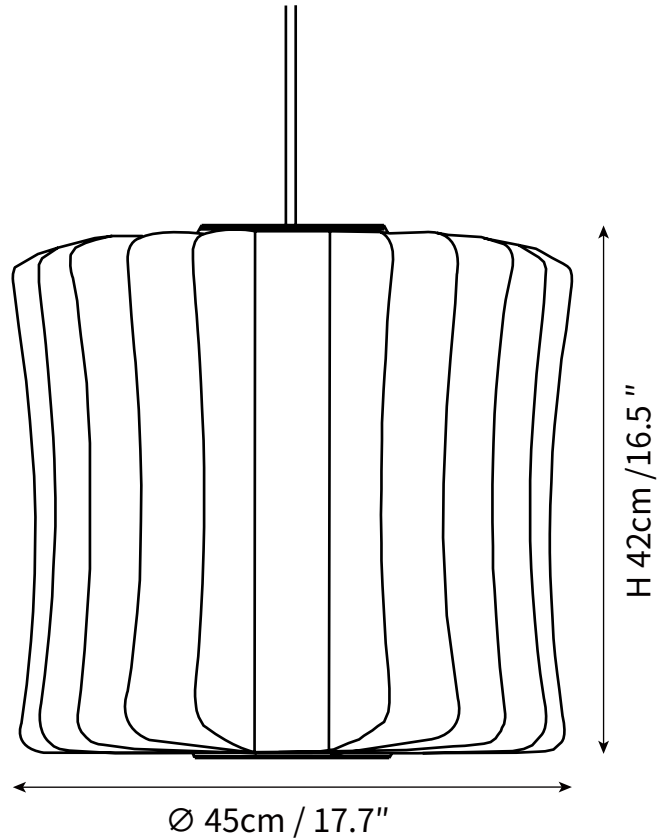
WEIGHT

10kg

NELSON BUBBLE PENDANT LAMP

PENDANT

SPECIFICATION SHEET
INTERNATIONAL



ABOUT

The Nelson Ball Crisscross Bubble Pendant is based on the original 1952 design by the ingenious and resourceful George Nelson. Utilizing U.S. military techniques and surplus supplies after the Second World War, he was able to create the first set of Nelson Bubble Lamps; covering them in a translucent white plastic spray which results in a soft, organic aesthetic when illuminated. The lightweight steel wireframe of the Bubble Pendant ensures its shape is kept even when under tension, and in this particular piece a network of interconnected steel wires produces a delightful geometric crisscross pattern. Hang the Crisscross Bubble Pendant in a cluster to create a delicate ambient glow in your interior.

LEAD TIME

4 - 7 weeks

LIGHT SOURCE

E27 40W LED
2700K warm white
Not dimmable
Lamp included

INSTALLATION

Ceiling mount

FLEX CORD COLOURS

Black Braided Cable,
Length 150cm / 59".

PRODUCT SIZE

Dia 35cm x H 32cm
Dia 45cm x H 42cm
Dia 50cm x H 45cm

FITTING FINISHES

White

SHADE COLOURS

White

CERTIFICATION

CE/CCC/UL/SAA/KC

WARRANTY

3 years

Materials

Polymer, steel wire

Voltage

AC 110-240V

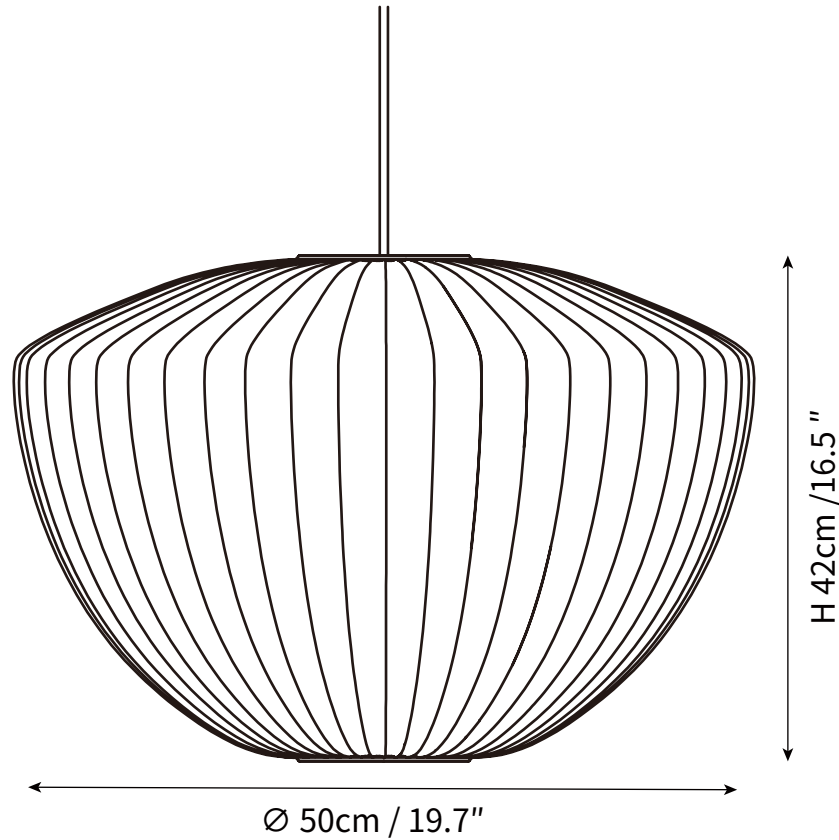
WEIGHT

10kg

NELSON BUBBLE PENDANT LAMP

PENDANT

SPECIFICATION SHEET
INTERNATIONAL



ABOUT

The Nelson Ball Crisscross Bubble Pendant is based on the original 1952 design by the ingenious and resourceful George Nelson. Utilizing U.S. military techniques and surplus supplies after the Second World War, he was able to create the first set of Nelson Bubble Lamps; covering them in a translucent white plastic spray which results in a soft, organic aesthetic when illuminated. The lightweight steel wireframe of the Bubble Pendant ensures its shape is kept even when under tension, and in this particular piece a network of interconnected steel wires produces a delightful geometric crisscross pattern. Hang the Crisscross Bubble Pendant in a cluster to create a delicate ambient glow in your interior.

LEAD TIME

4 - 7 weeks

LIGHT SOURCE

E27 40W LED
2700K warm white
Not dimmable
Lamp included

INSTALLATION

Ceiling mount

FLEX CORD COLOURS

Black Braided Cable,
Length 150cm / 59".

PRODUCT SIZE

Dia 50cm x H 42cm

FITTING FINISHES

White

SHADE COLOURS

White

CERTIFICATION

CE/CCC/UL/SAA/KC

WARRANTY

3 years

Materials

Polymer, steel wire

Voltage

AC 110-240V

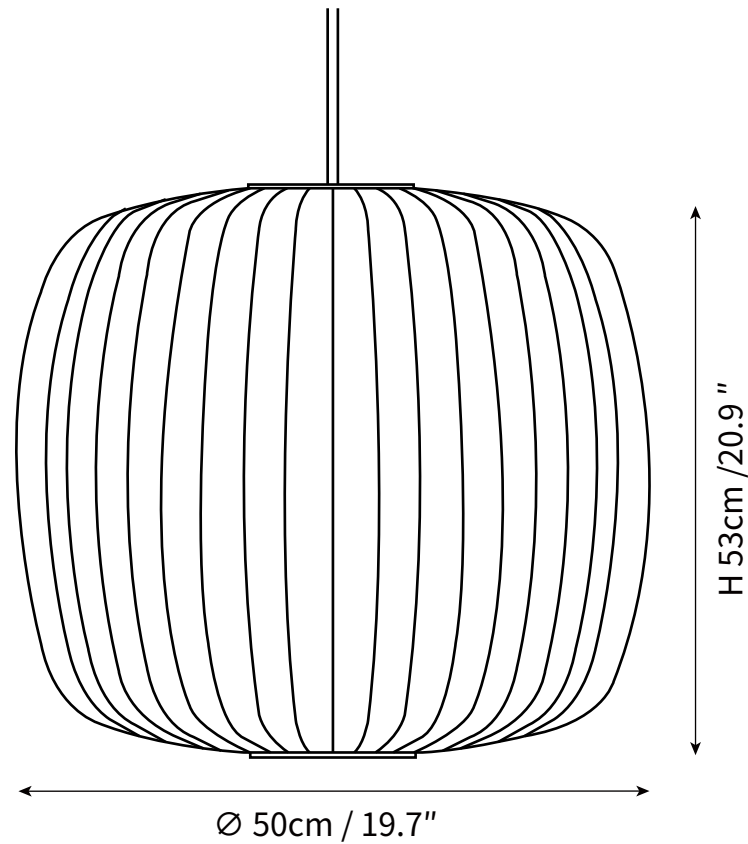
WEIGHT

10kg

NELSON BUBBLE PENDANT LAMP

PENDANT

SPECIFICATION SHEET
INTERNATIONAL



ABOUT

The Nelson Ball Crisscross Bubble Pendant is based on the original 1952 design by the ingenious and resourceful George Nelson. Utilizing U.S. military techniques and surplus supplies after the Second World War, he was able to create the first set of Nelson Bubble Lamps; covering them in a translucent white plastic spray which results in a soft, organic aesthetic when illuminated. The lightweight steel wireframe of the Bubble Pendant ensures its shape is kept even when under tension, and in this particular piece a network of interconnected steel wires produces a delightful geometric crisscross pattern. Hang the Crisscross Bubble Pendant in a cluster to create a delicate ambient glow in your interior.

LEAD TIME

4 - 7 weeks

LIGHT SOURCE

E27 40W LED
2700K warm white
Not dimmable
Lamp included

INSTALLATION

Ceiling mount

FLEX CORD COLOURS

Black Braided Cable,
Length 150cm / 59".

PRODUCT SIZE

Dia 40cm x H 42cm
Dia 50cm x H 53cm

FITTING FINISHES

White

SHADE COLOURS

White

CERTIFICATION

CE/CCC/UL/SAA/KC

WARRANTY

3 years

MATERIALS

Polymer, steel wire

VOLTAGE

AC 110-240V

WEIGHT

10kg