

NEGLIXERINT PENDANT LIGHT  
PENDANT

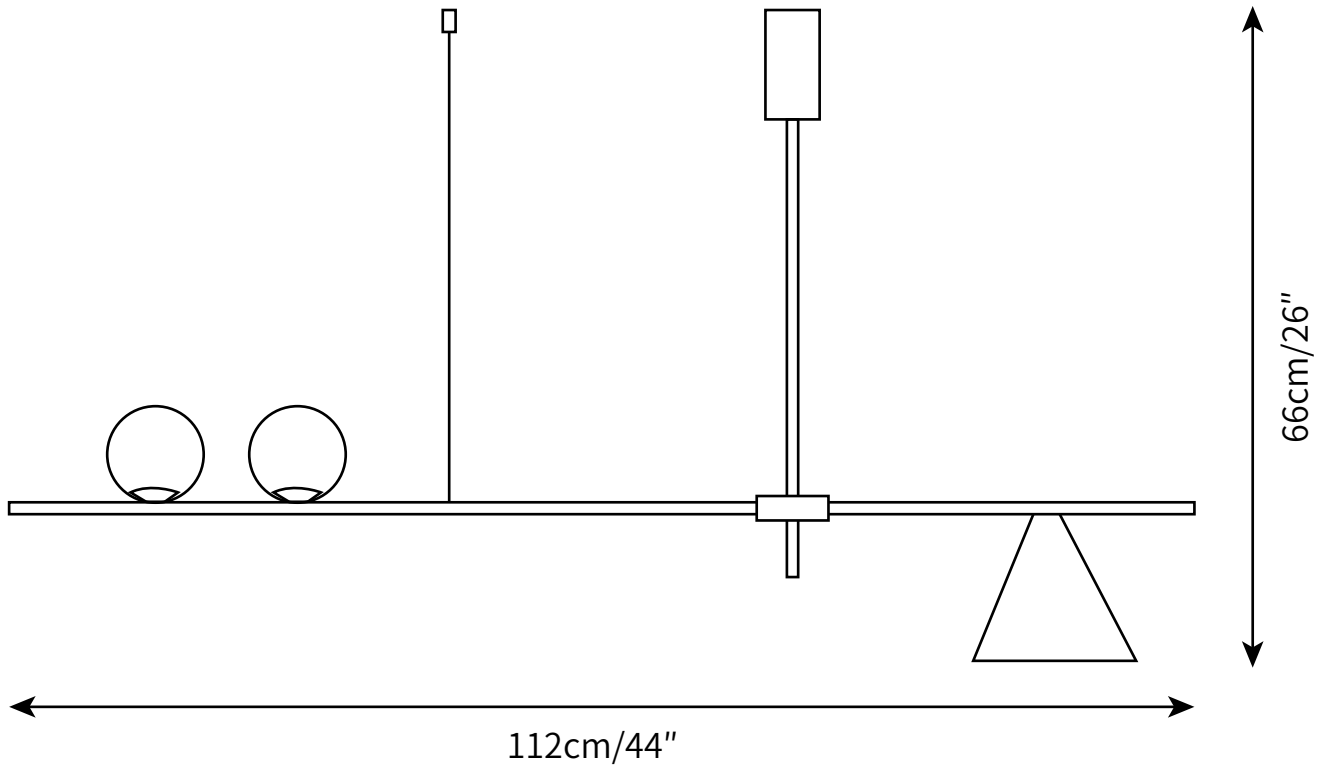
SPECIFICATION SHEET  
INTERNATIONAL



# NEGLIXERINT PENDANT LIGHT

PENDANT

SPECIFICATION SHEET  
INTERNATIONAL



## ABOUT

Made primarily of metal and glass, this Neglixerint Pendant Light features a classic color scheme of black and gold, with a touch of luxury in a minimalist design. The long stick is its main body, in which two glass spheres and a metallic cone shadow are distributed asymmetrically on the left and right sides, one up and one down. This asymmetrical yet balanced aesthetic is not rigid and gives a neat visual effect. It's perfect for hanging on a long table, serving basic lighting needs while reflecting the elegance and soul in its minimalist design.

## LEAD TIME

4 - 7 weeks

## LIGHT SOURCE

G9 5W LED  
2700K warm white  
Not dimmable  
Lamp included

## INSTALLATION

Ceiling mount  
Supplied with external driver.

## FLEX CORD COLOURS

Black Braided Cable,  
Length 150cm / 59".

## PRODUCT SIZE

Dia 112cm x H 66cm

## FITTING FINISHES

Black, Gold

## SHADE COLOURS

White

## CERTIFICATION

CE/CCC/UL/SAA/KC

## WARRANTY

3 years

## Materials

Metal, Glass

## Voltage

AC 110-240V

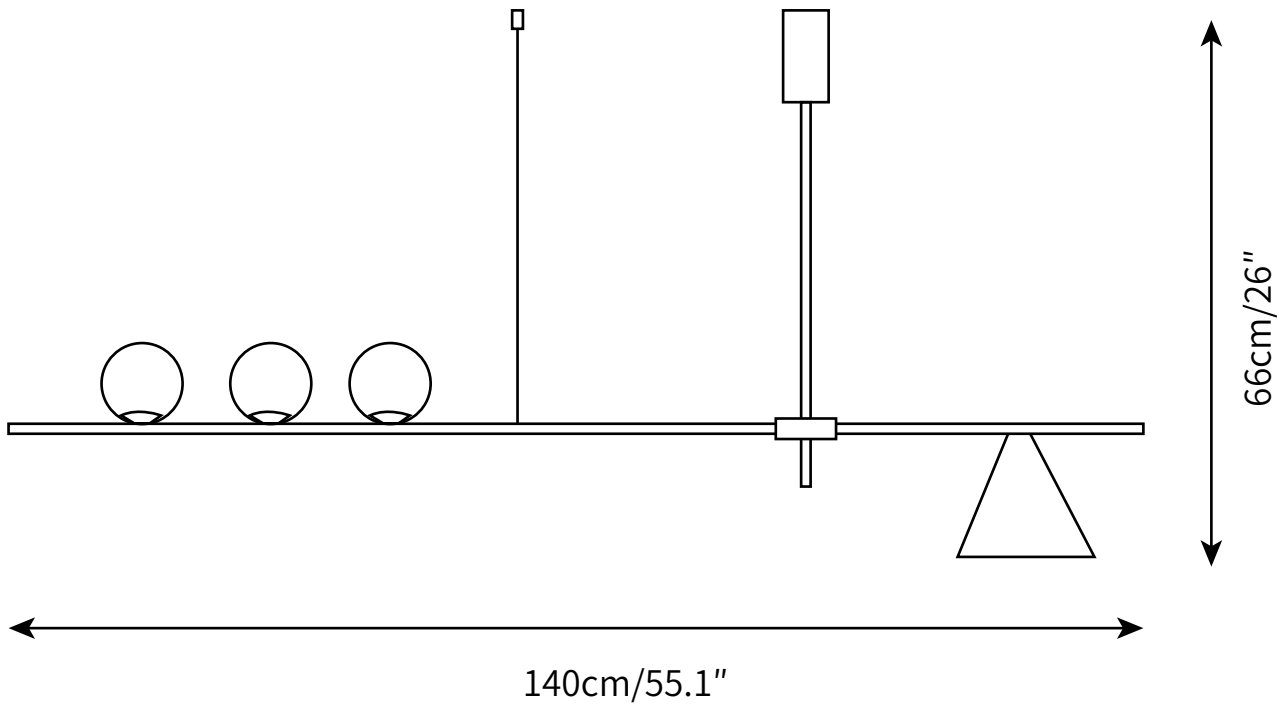
## WEIGHT

5kg

# NEGLIXERINT PENDANT LIGHT

PENDANT

SPECIFICATION SHEET  
INTERNATIONAL



## ABOUT

Made primarily of metal and glass, this Neglixerint Pendant Light features a classic color scheme of black and gold, with a touch of luxury in a minimalist design. The long stick is its main body, in which two glass spheres and a metallic cone shadow are distributed asymmetrically on the left and right sides, one up and one down. This asymmetrical yet balanced aesthetic is not rigid and gives a neat visual effect. It's perfect for hanging on a long table, serving basic lighting needs while reflecting the elegance and soul in its minimalist design.

## LEAD TIME

4 - 7 weeks

## LIGHT SOURCE

G9 5W LED  
2700K warm white  
Not dimmable  
Lamp included

## INSTALLATION

Ceiling mount  
Supplied with external driver.

## FLEX CORD COLOURS

Black Braided Cable,  
Length 150cm / 59".

## PRODUCT SIZE

Dia 140cm x H 66cm

## FITTING FINISHES

Black, Gold

## SHADE COLOURS

White

## CERTIFICATION

CE/CCC/UL/SAA/KC

## WARRANTY

3 years

## Materials

Metal, Glass

## Voltage

AC 110-240V

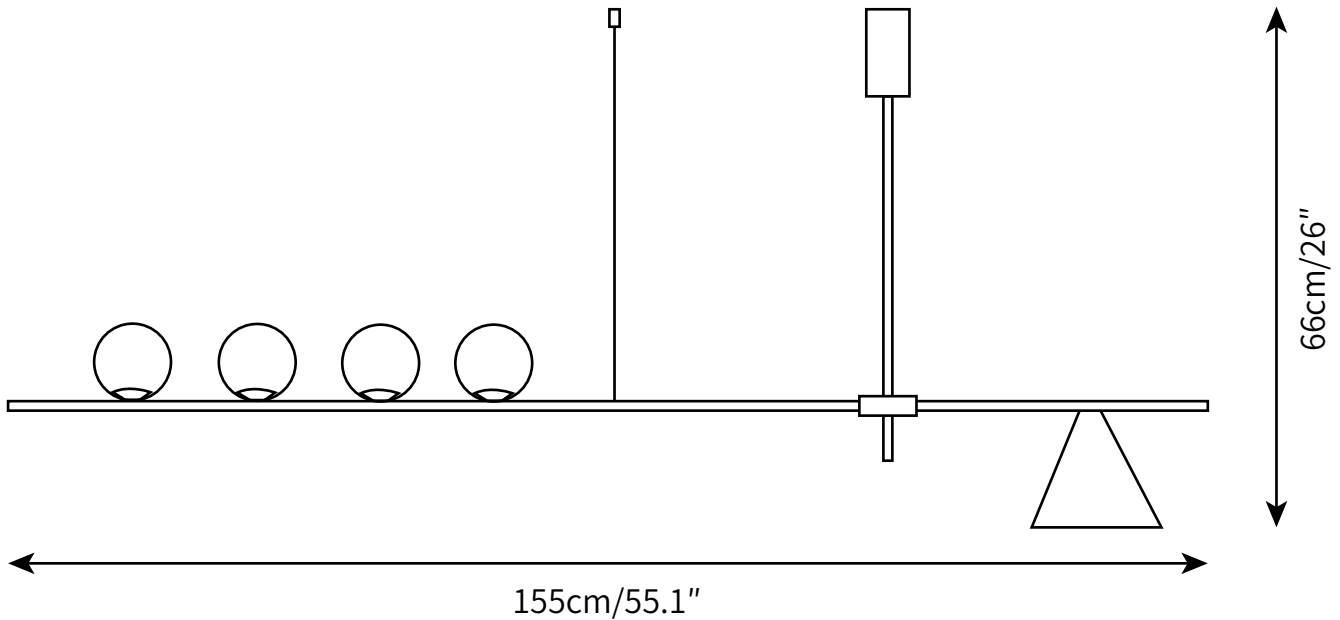
## WEIGHT

5kg

# NEGLIXERINT PENDANT LIGHT

PENDANT

SPECIFICATION SHEET  
INTERNATIONAL



## ABOUT

Made primarily of metal and glass, this Neglixerint Pendant Light features a classic color scheme of black and gold, with a touch of luxury in a minimalist design. The long stick is its main body, in which two glass spheres and a metallic cone shadow are distributed asymmetrically on the left and right sides, one up and one down. This asymmetrical yet balanced aesthetic is not rigid and gives a neat visual effect. It's perfect for hanging on a long table, serving basic lighting needs while reflecting the elegance and soul in its minimalist design.

## LEAD TIME

4 - 7 weeks

## LIGHT SOURCE

G9 5W LED  
2700K warm white  
Not dimmable  
Lamp included

## INSTALLATION

Ceiling mount  
Supplied with external driver.

## FLEX CORD COLOURS

Black Braided Cable,  
Length 150cm / 59".

## PRODUCT SIZE

Dia 155cm x H 66cm

## FITTING FINISHES

Black, Gold

## SHADE COLOURS

White

## CERTIFICATION

CE/CCC/UL/SAA/KC

## WARRANTY

3 years

## Materials

Metal, Glass

## Voltage

AC 110-240V

## WEIGHT

5kg