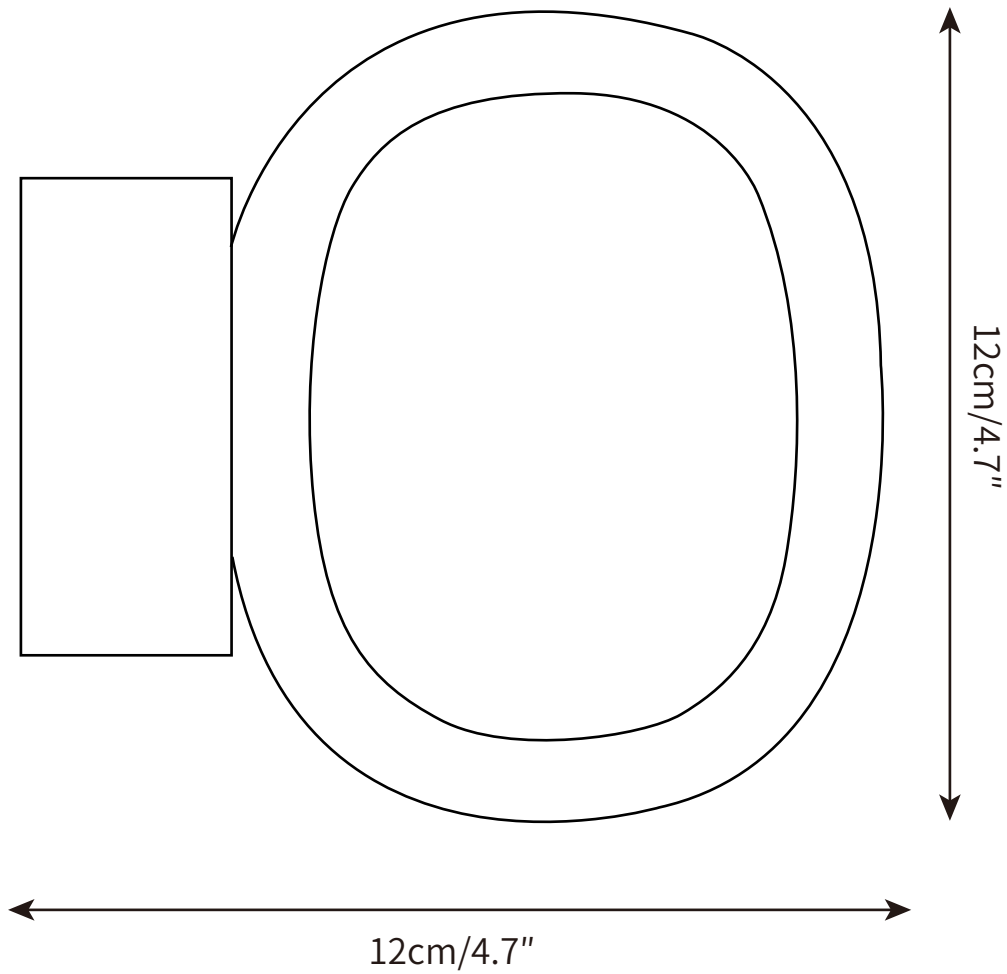


NABILA WALL LAMP  
WALL SCONCE

SPECIFICATION SHEET  
INTERNATIONAL





ABOUT

The Nabila Chandelier's elegant sophistication is inspired by the 1950s pursuit to outer space. Modeled off of the Sputnik, the Nabila's double-sided spherical frame in Matte Black with Black Chrome accents and Smoke borosilicate glass discs or Matte Black with Brushed Brass and Clear borosilicate glass discs brings a unique touch to a contemporary interior. Place in the entryway or over the dining table to complete your aesthetic.

LEAD TIME

4 - 7 weeks

LIGHT SOURCE

G9\*3W LED  
2700K warm white  
Not dimmable  
Lamp included

INSTALLATION

Wall mount,  
Supplied with external driver

FLEX CORD COLOURS

Hardwired

PRODUCT SIZE

Dia 12cm x H 12cm

FITTING FINISHES

Black,

SHADE COLOURS

Clear

Materials

Metal, Iron, Glass

CERTIFICATION

CE/CCC/UL/SAA/KC

WARRANTY

3 years

Voltage

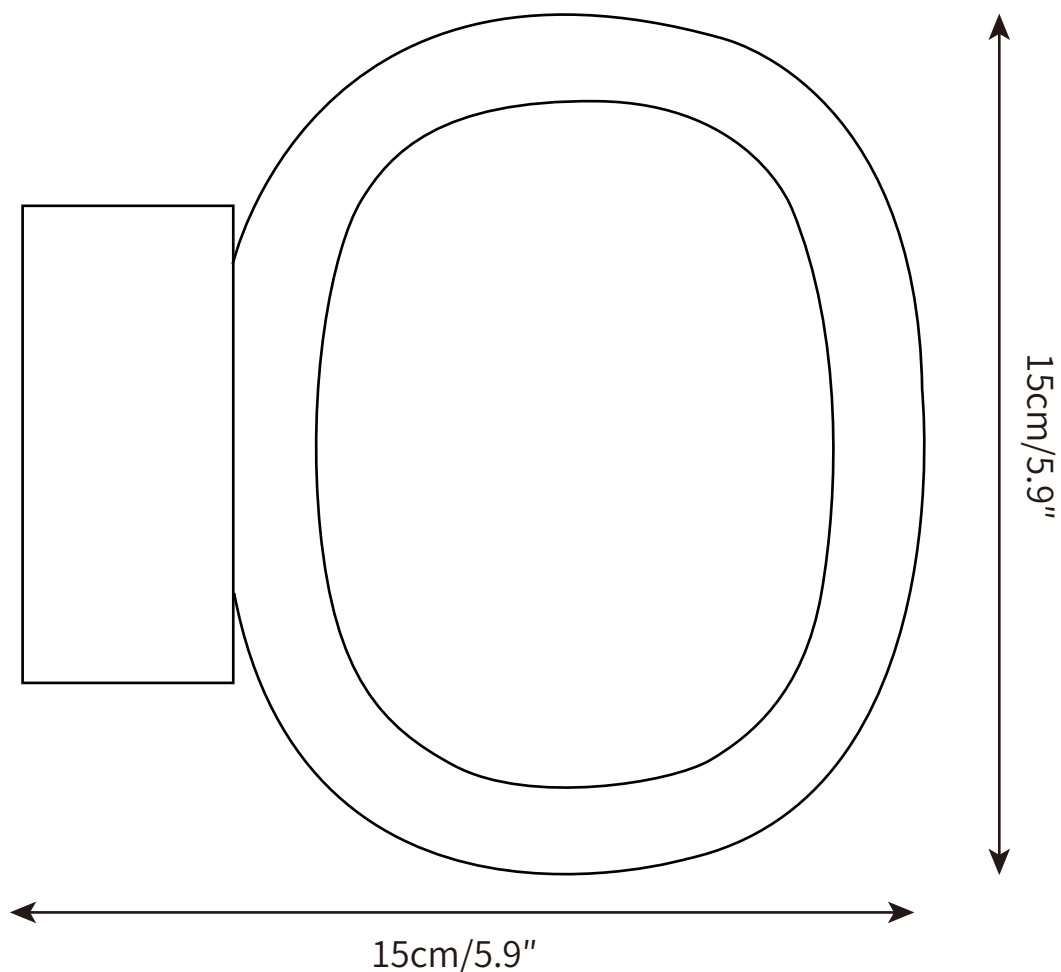
AC 110-240V

WEIGHT

1kg

NABILA WALL LAMP  
WALL SCONCE

SPECIFICATION SHEET  
INTERNATIONAL



ABOUT

The Nabila Chandelier's elegant sophistication is inspired by the 1950s pursuit to outer space. Modeled off of the Sputnik, the Nabila's double-sided spherical frame in Matte Black with Black Chrome accents and Smoke borosilicate glass discs or Matte Black with Brushed Brass and Clear borosilicate glass discs brings a unique touch to a contemporary interior. Place in the entryway or over the dining table to complete your aesthetic.

LEAD TIME

4 - 7 weeks

LIGHT SOURCE

G9\*3W LED  
2700K warm white  
Not dimmable  
Lamp included

INSTALLATION

Wall mount,  
Supplied with external driver

FLEX CORD COLOURS

Hardwired

PRODUCT SIZE

Dia 15cm x H 15cm

FITTING FINISHES

Black,

SHADE COLOURS

Clear

MATERIALS

Metal, Iron, Glass

CERTIFICATION

CE/CCC/UL/SAA/KC

WARRANTY

3 years

VOLTAGE

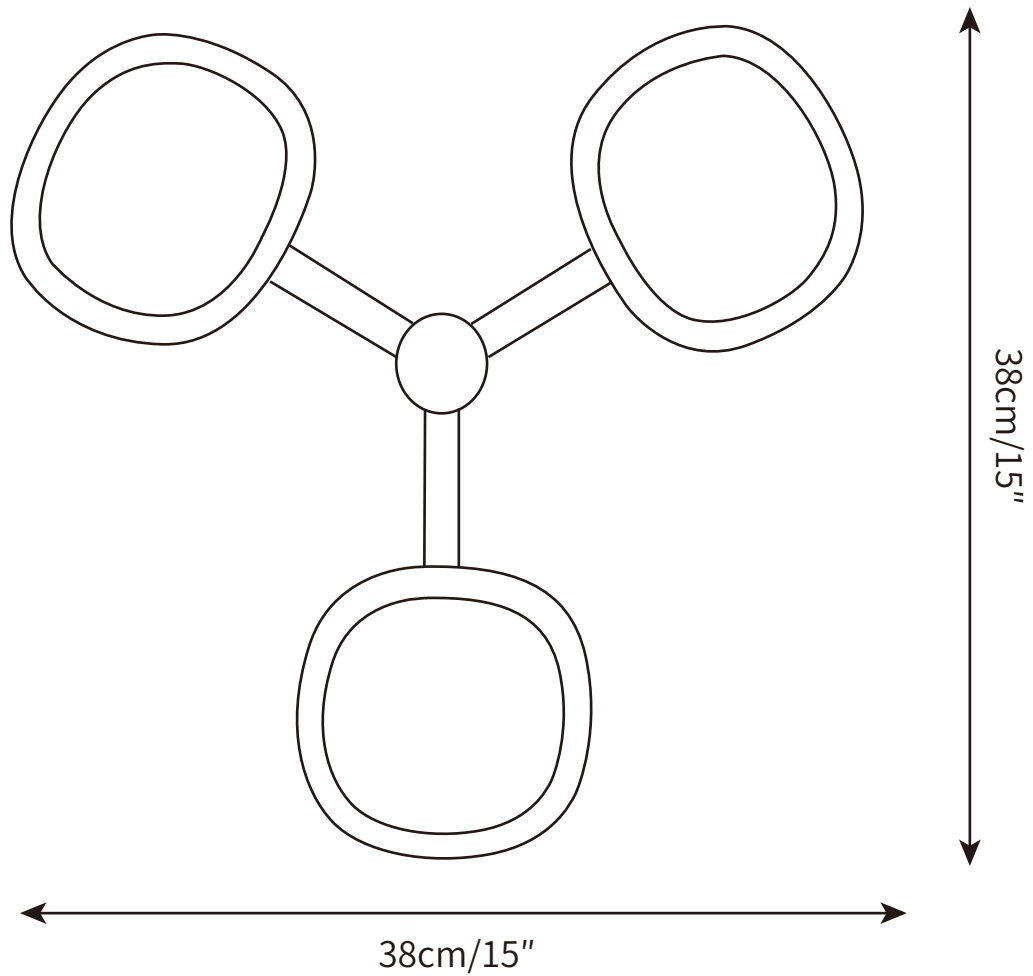
AC 110-240V

WEIGHT

1kg

NABILA WALL LAMP  
WALL SCONCE

SPECIFICATION SHEET  
INTERNATIONAL



ABOUT

The Nabila Chandelier's elegant sophistication is inspired by the 1950s pursuit to outer space. Modeled off of the Sputnik, the Nabila's double-sided spherical frame in Matte Black with Black Chrome accents and Smoke borosilicate glass discs or Matte Black with Brushed Brass and Clear borosilicate glass discs brings a unique touch to a contemporary interior. Place in the entryway or over the dining table to complete your aesthetic.

LEAD TIME

4 - 7 weeks

LIGHT SOURCE

G9\*3W LED  
2700K warm white  
Not dimmable  
Lamp included

INSTALLATION

Wall mount,  
Supplied with external driver

FLEX CORD COLOURS

Hardwired

PRODUCT SIZE

Dia 38cm x H 38cm

FITTING FINISHES

Black,

SHADE COLOURS

Clear

Materials

Metal, Iron, Glass

CERTIFICATION

CE/CCC/UL/SAA/KC

WARRANTY

3 years

Voltage

AC 110-240V

WEIGHT

2kg