

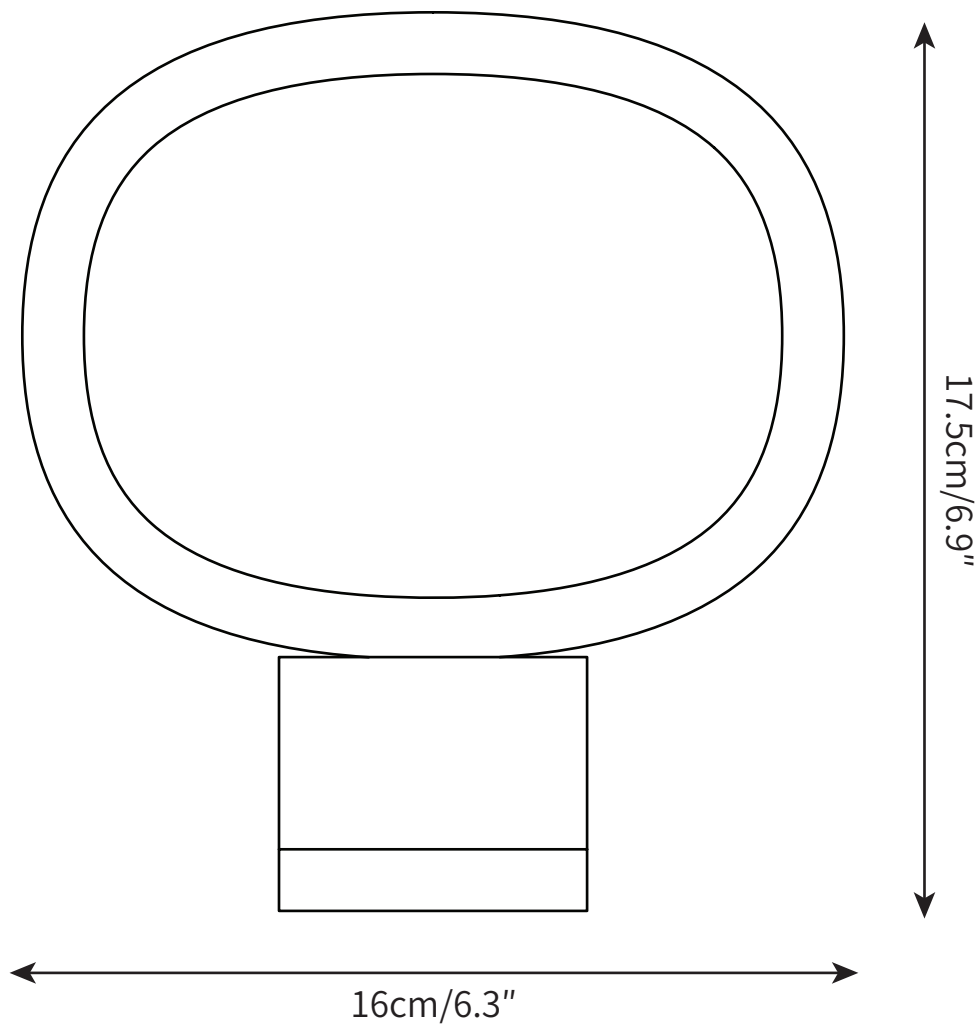
NABILA TABLE LAMP
TABLE LAMP

SPECIFICATION SHEET
INTERNATIONAL



NABILA TABLE LAMP
TABLE LAMP

SPECIFICATION SHEET
INTERNATIONAL



ABOUT

The Nabila Chandelier's elegant sophistication is inspired by the 1950s pursuit to outer space. Modeled off of the Sputnik, the Nabila's double-sided spherical frame in Matte Black with Black Chrome accents and Smoke borosilicate glass discs or Matte Black with Brushed Brass and Clear borosilicate glass discs brings a unique touch to a contemporary interior. Place in the entryway or over the dining table to complete your aesthetic.

LEAD TIME

4 - 7 weeks

LIGHT SOURCE

G4*2W LED
2700K warm white
Not dimmable
Lamp included

FLEX CORD COLOURS

Black Switched Plug Wire,
Length 150cm / 59"

PRODUCT SIZE

Dia 16cm x H 17.5cm

FITTING FINISHES

Black,

SHADE COLOURS

Clear

Materials

Metal, Iron, Glass

CERTIFICATION

CE/CCC/UL/SAA/KC

WARRANTY

3 years

Voltage

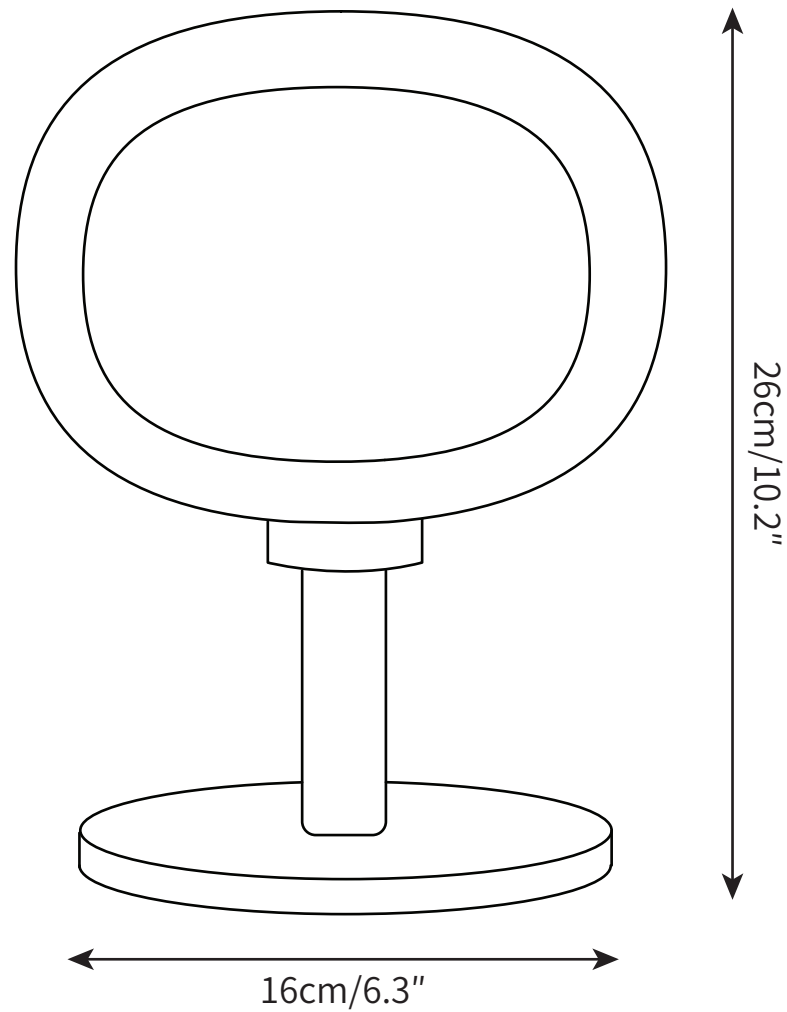
AC 110-240V

WEIGHT

2kg

NABILA TABLE LAMP
TABLE LAMP

SPECIFICATION SHEET
INTERNATIONAL



ABOUT

The Nabila Chandelier's elegant sophistication is inspired by the 1950s pursuit to outer space. Modeled off of the Sputnik, the Nabila's double-sided spherical frame in Matte Black with Black Chrome accents and Smoke borosilicate glass discs or Matte Black with Brushed Brass and Clear borosilicate glass discs brings a unique touch to a contemporary interior. Place in the entryway or over the dining table to complete your aesthetic.

LEAD TIME

4 - 7 weeks

LIGHT SOURCE

G4*2W LED
2700K warm white
Not dimmable
Lamp included

FLEX CORD COLOURS

Black Switched Plug Wire,
Length 150cm / 59"

PRODUCT SIZE

Dia 16cm x H 26cm

FITTING FINISHES

Black,

SHADE COLOURS

Clear

MATERIALS

Metal, Iron, Glass

CERTIFICATION

CE/CCC/UL/SAA/KC

WARRANTY

3 years

VOLTAGE

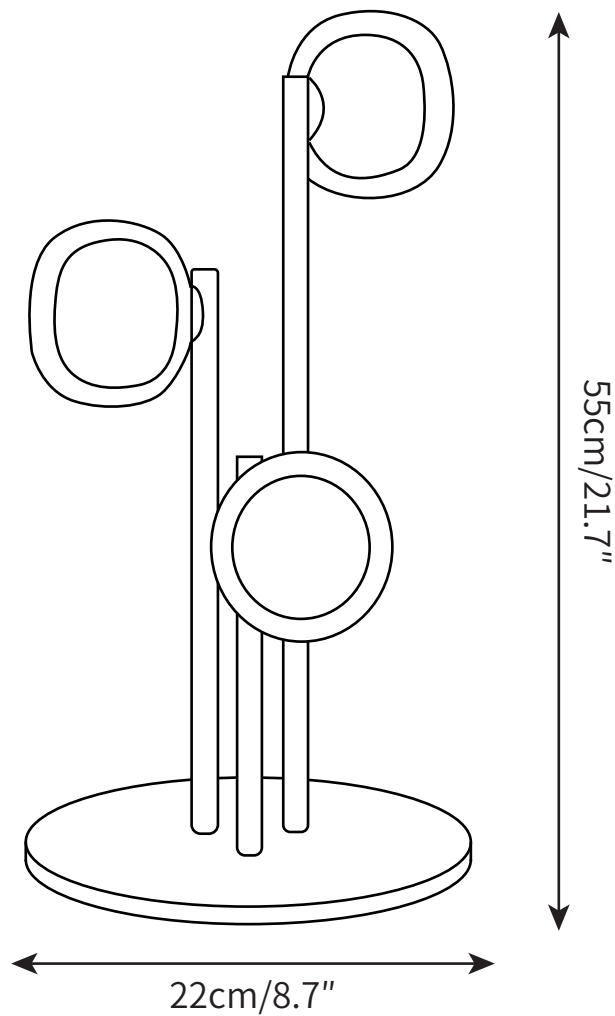
AC 110-240V

WEIGHT

2kg

NABILA TABLE LAMP
TABLE LAMP

SPECIFICATION SHEET
INTERNATIONAL



ABOUT

The Nabila Chandelier's elegant sophistication is inspired by the 1950s pursuit to outer space. Modeled off of the Sputnik, the Nabila's double-sided spherical frame in Matte Black with Black Chrome accents and Smoke borosilicate glass discs or Matte Black with Brushed Brass and Clear borosilicate glass discs brings a unique touch to a contemporary interior. Place in the entryway or over the dining table to complete your aesthetic.

LEAD TIME

4 - 7 weeks

LIGHT SOURCE

G4*2W LED
2700K warm white
Not dimmable
Lamp included

FLEX CORD COLOURS

Black Switched Plug Wire,
Length 150cm / 59"

PRODUCT SIZE

Dia 22cm x H 55cm

FITTING FINISHES

Black,

SHADE COLOURS

Clear

MATERIALS

Metal, Iron, Glass

CERTIFICATION

CE/CCC/UL/SAA/KC

WARRANTY

3 years

VOLTAGE

AC 110-240V

WEIGHT

3kg