

NH PENDANT LAMP
PENDANT

SPECIFICATION SHEET
INTERNATIONAL

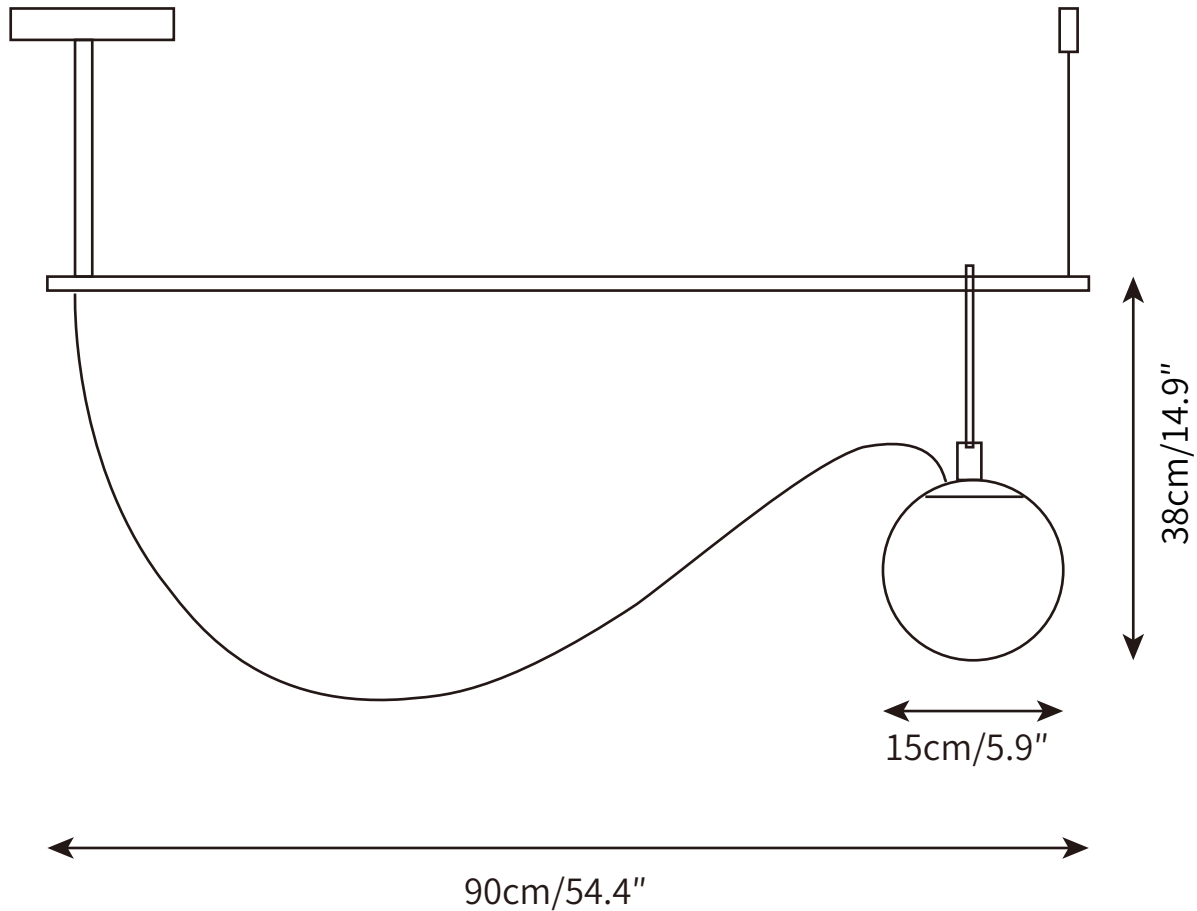


NH PENDANT LAMP

PENDANT

SPECIFICATION SHEET

INTERNATIONAL



ABOUT

NH Pendant lamp The selected materials represent a perfect combination of tradition and innovation, as well as the expression of responsible and sustainable design, also conveyed by the use of a lowconsumption retrofit LED source. Like all the projects designed by Neri&Hu, nh offers a reinterpretation of the Oriental culture and tradition with a constant contemporary approach. With surprising lightness and elementary movements nh creates a landscape of elements generating – either individually or combined with each other – a non-static balanced composition characterized by elegant colour and material matching.

LEAD TIME

4 - 7 weeks

LIGHT SOURCE

Integrated LED,
Warm White (2700K to 3300K),
Cool White (3300K to 5300K),
Not dimmable

INSTALLATION

Ceiling mount
Supplied with external driver.

FLEX CORD COLOURS

Black Braided Cable,
Length 150cm / 59".

PRODUCT SIZE

Dia 90cm x H 38cm

FITTING FINISHES

Black+Gold

SHADE COLOURS

White

CERTIFICATION

CE/CCC/UL/SAA/KC

WARRANTY

3 years

Materials

Metal, Grass

Voltage

AC 110-240V

WEIGHT

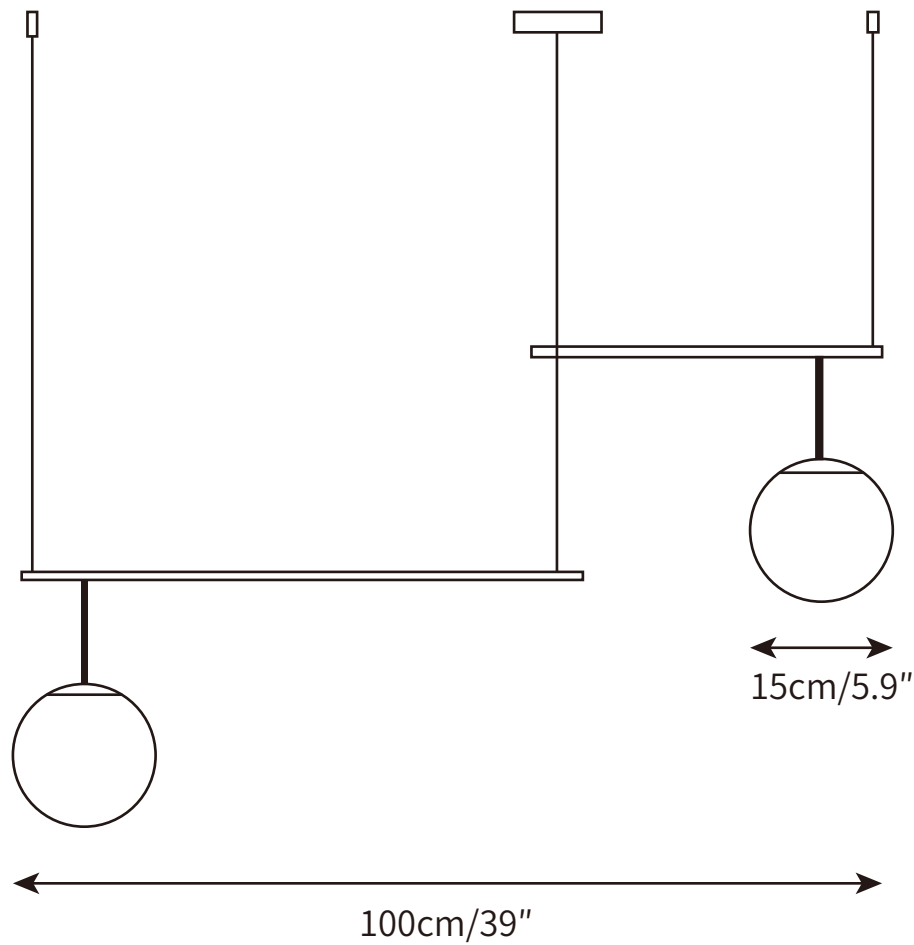
5kg

NH PENDANT LAMP

PENDANT

SPECIFICATION SHEET

INTERNATIONAL



ABOUT

NH Pendant lamp The selected materials represent a perfect combination of tradition and innovation, as well as the expression of responsible and sustainable design, also conveyed by the use of a lowconsumption retrofit LED source. Like all the projects designed by Neri&Hu, nh offers a reinterpretation of the Oriental culture and tradition with a constant contemporary approach. With surprising lightness and elementary movements nh creates a landscape of elements generating – either individually or combined with each other – a non-static balanced composition characterized by elegant colour and material matching.

LEAD TIME

4 - 7 weeks

LIGHT SOURCE

Integrated LED,
Warm White (2700K to 3300K),
Cool White (3300K to 5300K),
Not dimmable

INSTALLATION

Ceiling mount
Supplied with external driver.

FLEX CORD COLOURS

Black Braided Cable,
Length 150cm / 59".

PRODUCT SIZE

Dia 100cm x H 31cm

FITTING FINISHES

Black+Gold

SHADE COLOURS

White

CERTIFICATION

CE/CCC/UL/SAA/KC

WARRANTY

3 years

Materials

Metal, Grass

Voltage

AC 110-240V

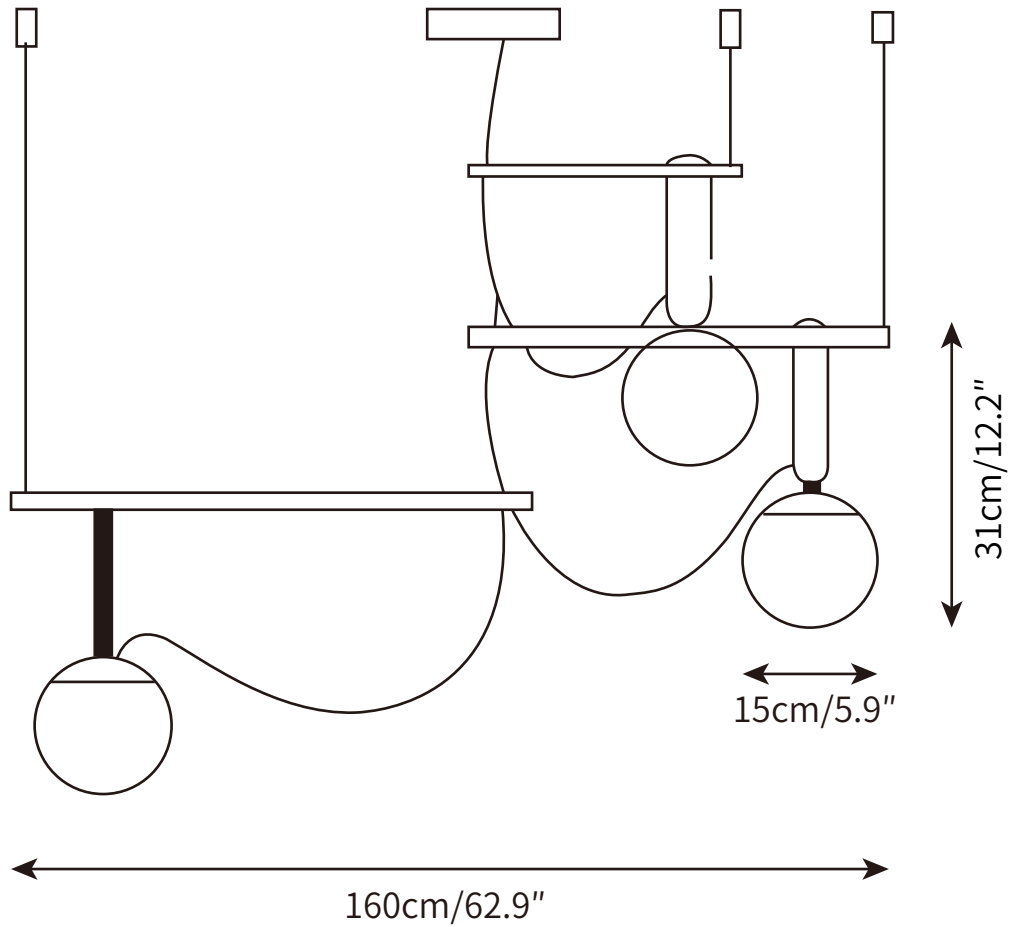
WEIGHT

7kg

NH PENDANT LAMP

PENDANT

SPECIFICATION SHEET
INTERNATIONAL



ABOUT

NH Pendant lamp The selected materials represent a perfect combination of tradition and innovation, as well as the expression of responsible and sustainable design, also conveyed by the use of a lowconsumption retrofit LED source. Like all the projects designed by Neri&Hu, nh offers a reinterpretation of the Oriental culture and tradition with a constant contemporary approach. With surprising lightness and elementary movements nh creates a landscape of elements generating – either individually or combined with each other – a non-static balanced composition characterized by elegant colour and material matching.

LEAD TIME

4 - 7 weeks

LIGHT SOURCE

Integrated LED,
Warm White (2700K to 3300K),
Cool White (3300K to 5300K),
Not dimmable

INSTALLATION

Ceiling mount
Supplied with external driver.

FLEX CORD COLOURS

Black Braided Cable,
Length 150cm / 59".

PRODUCT SIZE

Dia 160cm x H 31cm

FITTING FINISHES

Black+Gold

SHADE COLOURS

White

CERTIFICATION

CE/CCC/UL/SAA/KC

WARRANTY

3 years

Materials

Metal, Grass

Voltage

AC 110-240V

WEIGHT

10kg