

MIIRA PENDANT LAMP  
PENDANT

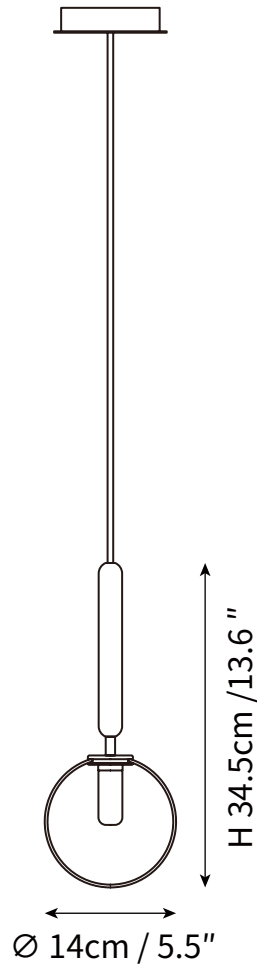
SPECIFICATION SHEET  
INTERNATIONAL



# MIIRA PENDANT LAMP

PENDANT

SPECIFICATION SHEET  
INTERNATIONAL



## ABOUT

Miira is a series of lamps in a simple and timeless design which embraces the Nordic elegance and function. The neatly mouth-blown glass and stylish processed metal give the design balance and depth. The Optic Clear glass with the unique embossed pattern give a playful light and spreads a unique atmosphere to the room the lamp is placed in.

## LEAD TIME

4 - 7 weeks

## LIGHT SOURCE

G9\*3W LED  
2700K warm white  
Not dimmable  
Lamp included

## INSTALLATION

Ceiling mount,  
hardwired.

## FLEX CORD COLOURS

Black Braided Cable,  
Length 150cm / 59".

## PRODUCT SIZE

Dia 14cm x H 34.5cm

## FITTING FINISHES

Golden, Black, Brass

## SHADE COLOURS

Clear, White

## CERTIFICATION

CE/CCC/UL/SAA/KC

## WARRANTY

3 years

## Materials

Metal, Glass

## Voltage

AC 110-240V

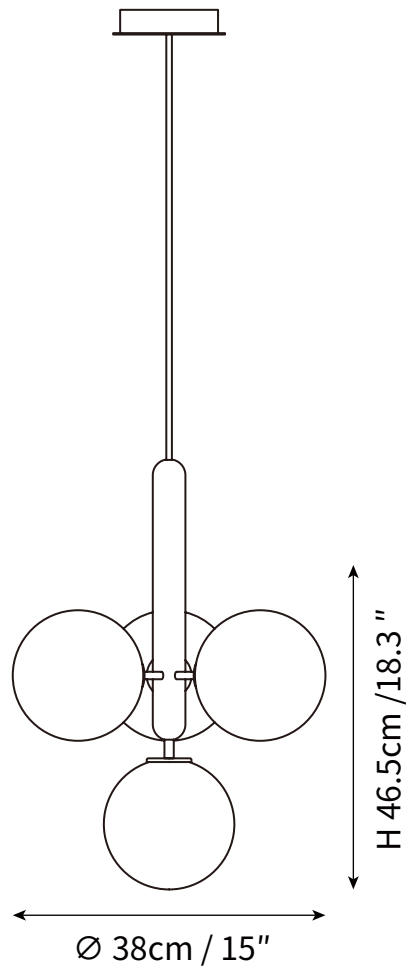
## WEIGHT

2kg

# MIIRA PENDANT LAMP

PENDANT

SPECIFICATION SHEET  
INTERNATIONAL



## ABOUT

Miira is a series of lamps in a simple and timeless design which embraces the Nordic elegance and function. The neatly mouth-blown glass and stylish processed metal give the design balance and depth. The Optic Clear glass with the unique embossed pattern give a playful light and spreads a unique atmosphere to the room the lamp is placed in.

## LEAD TIME

4 - 7 weeks

## LIGHT SOURCE

G9\*3W LED  
2700K warm white  
Not dimmable  
Lamp included

## INSTALLATION

Ceiling mount,  
hardwired.

## FLEX CORD COLOURS

Black Braided Cable,  
Length 150cm / 59".

## PRODUCT SIZE

Dia 38cm x H 46.5cm

## FITTING FINISHES

Golden, Black, Brass

## SHADE COLOURS

Clear, White

## CERTIFICATION

CE/CCC/UL/SAA/KC

## WARRANTY

3 years

## Materials

Metal, Glass

## Voltage

AC 110-240V

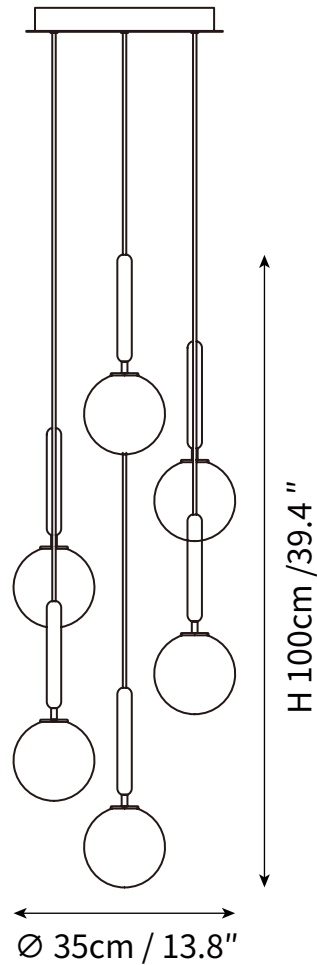
## WEIGHT

5kg

# MIIRA PENDANT LAMP

PENDANT

SPECIFICATION SHEET  
INTERNATIONAL



## ABOUT

Miira is a series of lamps in a simple and timeless design which embraces the Nordic elegance and function. The neatly mouth-blown glass and stylish processed metal give the design balance and depth. The Optic Clear glass with the unique embossed pattern give a playful light and spreads a unique atmosphere to the room the lamp is placed in.

## LEAD TIME

4 - 7 weeks

## LIGHT SOURCE

G9\*3W LED  
2700K warm white  
Not dimmable  
Lamp included

## INSTALLATION

Ceiling mount,  
hardwired.

## FLEX CORD COLOURS

Black Braided Cable,  
Length 150cm / 59".

## PRODUCT SIZE

Dia 35cm x H 100cm

## FITTING FINISHES

Golden, Black, Brass

## SHADE COLOURS

Clear, White

## CERTIFICATION

CE/CCC/UL/SAA/KC

## WARRANTY

3 years

## Materials

Metal, Glass

## Voltage

AC 110-240V

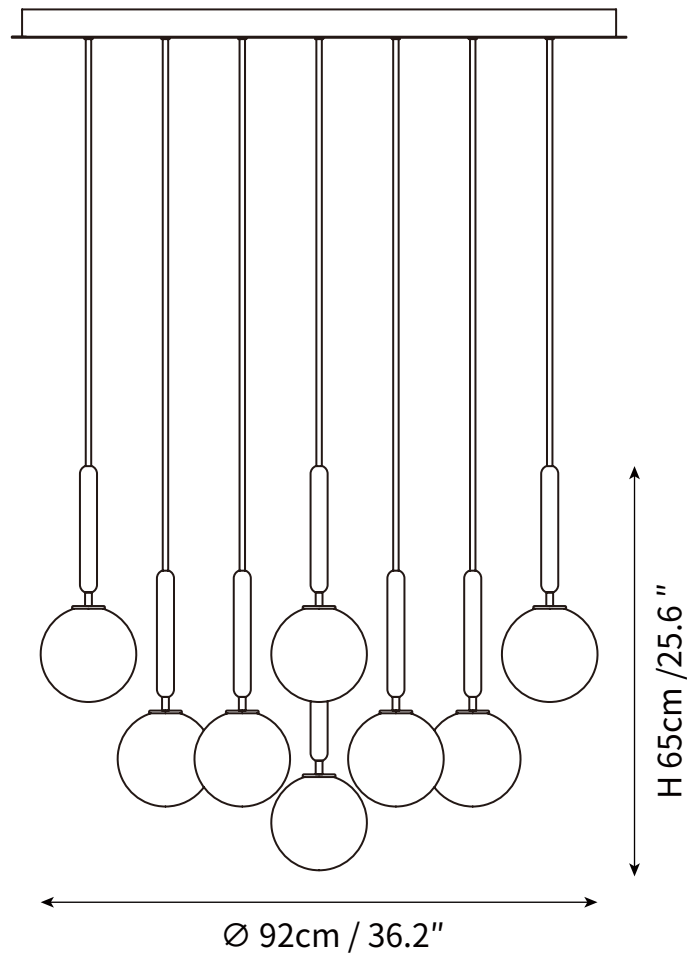
## WEIGHT

6kg

# MIIRA PENDANT LAMP

PENDANT

SPECIFICATION SHEET  
INTERNATIONAL



## ABOUT

Miira is a series of lamps in a simple and timeless design which embraces the Nordic elegance and function. The neatly mouth-blown glass and stylish processed metal give the design balance and depth. The Optic Clear glass with the unique embossed pattern give a playful light and spreads a unique atmosphere to the room the lamp is placed in.

## LEAD TIME

4 - 7 weeks

## LIGHT SOURCE

G9\*3W LED  
2700K warm white  
Not dimmable  
Lamp included

## INSTALLATION

Ceiling mount,  
hardwired.

## FLEX CORD COLOURS

Black Braided Cable,  
Length 150cm / 59".

## PRODUCT SIZE

Dia 92cm x H 65cm

## FITTING FINISHES

Golden, Black, Brass

## SHADE COLOURS

Clear, White

## CERTIFICATION

CE/CCC/UL/SAA/KC

## WARRANTY

3 years

## Materials

Metal, Glass

## Voltage

AC 110-240V

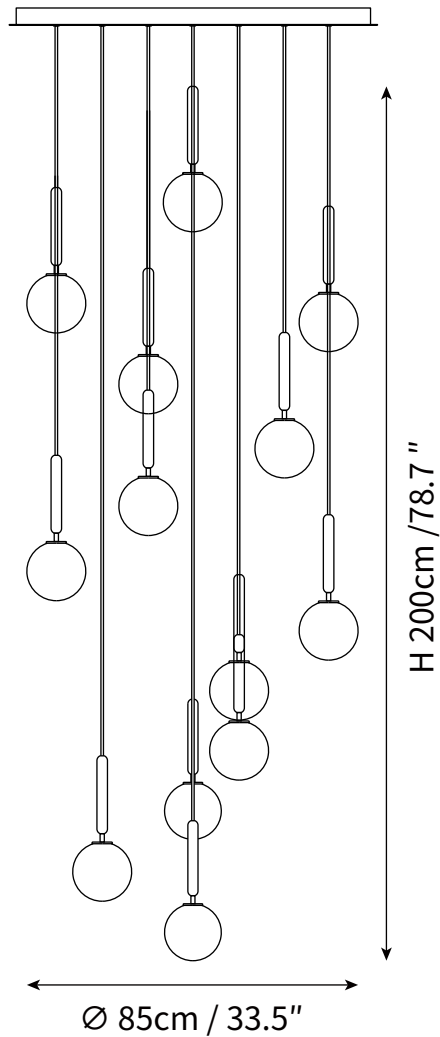
## WEIGHT

9kg

# MIIRA PENDANT LAMP

PENDANT

SPECIFICATION SHEET  
INTERNATIONAL



## ABOUT

Miira is a series of lamps in a simple and timeless design which embraces the Nordic elegance and function. The neatly mouth-blown glass and stylish processed metal give the design balance and depth. The Optic Clear glass with the unique embossed pattern give a playful light and spreads a unique atmosphere to the room the lamp is placed in.

## LEAD TIME

4 - 7 weeks

## LIGHT SOURCE

G9\*3W LED  
2700K warm white  
Not dimmable  
Lamp included

## INSTALLATION

Ceiling mount,  
hardwired.

## FLEX CORD COLOURS

Black Braided Cable,  
Length 150cm / 59".

## PRODUCT SIZE

Dia 85cm x H 200cm

## FITTING FINISHES

Golden, Black, Brass

## SHADE COLOURS

Clear, White

## CERTIFICATION

CE/CCC/UL/SAA/KC

## WARRANTY

3 years

## Materials

Metal, Glass

## Voltage

AC 110-240V

## WEIGHT

13kg