

HARVEY TABLE LAMP
TABLE LAMP

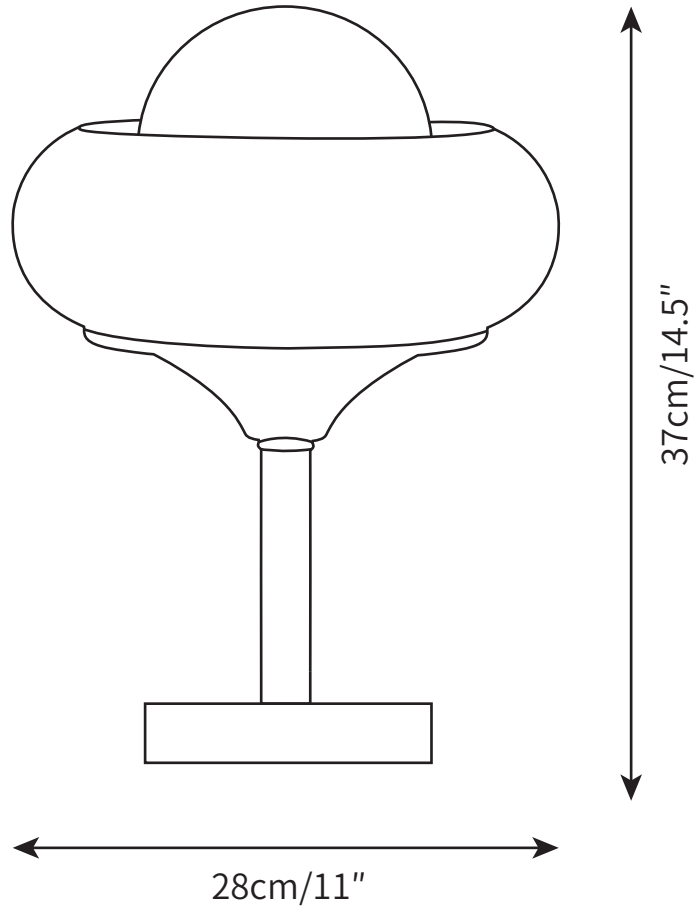
SPECIFICATION SHEET
INTERNATIONAL



HARVEY TABLE LAMP

TABLE LAMP

SPECIFICATION SHEET
INTERNATIONAL



ABOUT

Because of its gorgeous space-age design and amazing vintage condition, the lamp is the perfect usable decoration everywhere. The is made of chrome lamp body, light brown plexiglass and milky white glass globe. Suitable for all living areas and very decorative.

LEAD TIME

4 - 7 weeks

LIGHT SOURCE

E27 40W LED
2700K warm white
Not dimmable
Lamp included

FLEX CORD COLOURS

Black Switched Plug Wire,
Length 150cm / 59"

PRODUCT SIZE

Dia 28cm x H 37cm

FITTING FINISHES

Chrome

SHADE COLOURS

Brown, White

Materials

Metal, Glass

CERTIFICATION

CE/CCC/UL/SAA/KC

WARRANTY

3 years

Voltage

AC 110-240V

WEIGHT

3kg