

HARVEY PENDANT LAMP
PENDANT

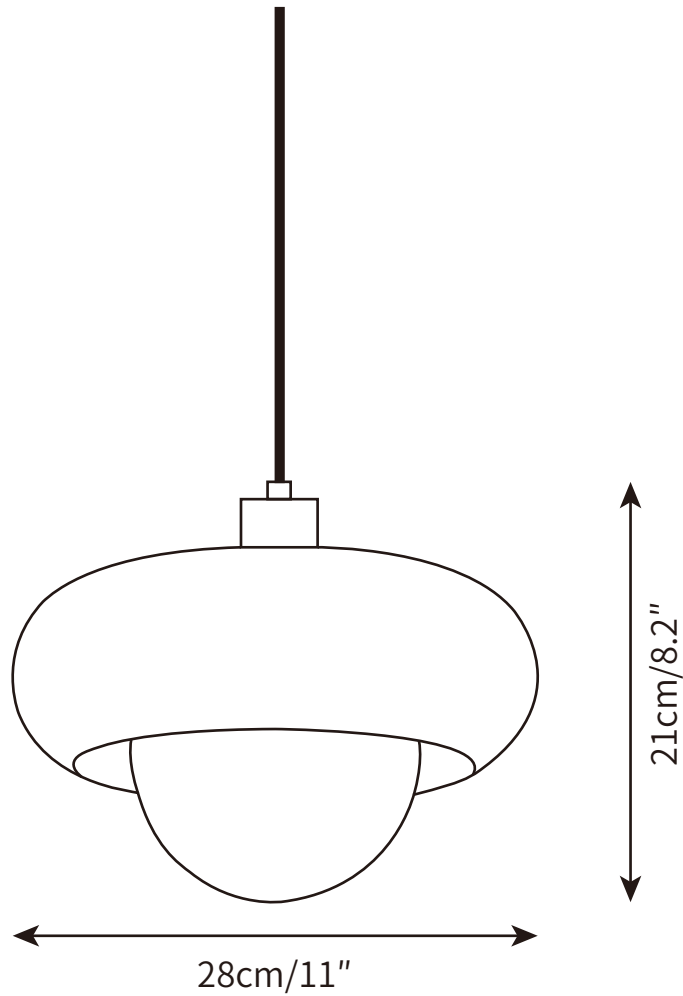
SPECIFICATION SHEET
INTERNATIONAL



HARVEY PENDANT LAMP

PENDANT

SPECIFICATION SHEET
INTERNATIONAL



ABOUT

Because of its gorgeous space-age design and amazing vintage condition, the lamp is the perfect usable decoration everywhere. The shade is made of chrome top, light brown plexiglass and milky white glass globe. Suitable for all living areas and very decorative.

LEAD TIME

4 - 7 weeks

LIGHT SOURCE

E27 40W LED
2700K warm white
Not dimmable
Lamp included

INSTALLATION

Ceiling mount

FLEX CORD COLOURS

Black Braided Cable,
Length 150cm / 59".

PRODUCT SIZE

Dia 28cm x H 21cm

FITTING FINISHES

Chrome

SHADE COLOURS

Brown, White, Red

CERTIFICATION

CE/CCC/UL/SAA/KC

WARRANTY

3 years

Materials

Metal, Glass

Voltage

AC 110-240V

WEIGHT

3kg