

ETCH PENDANT LIGHT
PENDANT

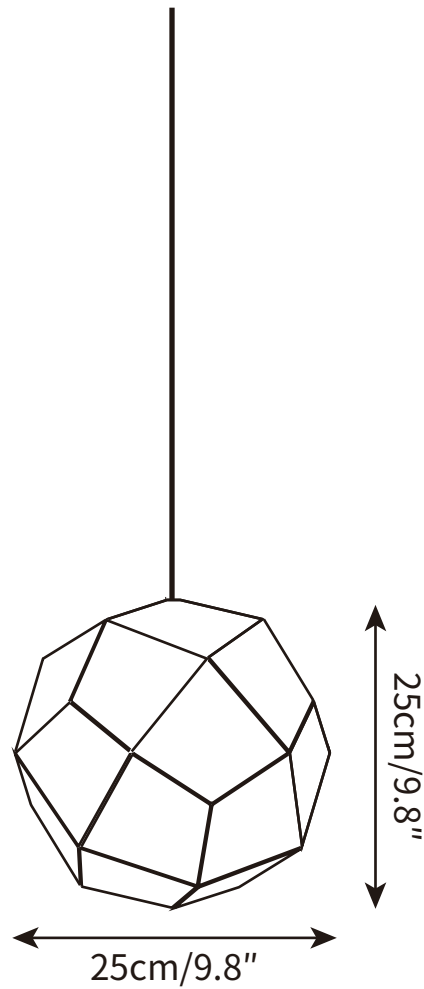
SPECIFICATION SHEET
INTERNATIONAL



ETCH PENDANT LIGHT

PENDANT

SPECIFICATION SHEET
INTERNATIONAL



ABOUT

These geodesic pendants and tea light holders are formed of finely pierced flat metal sheets tabbed together like Victorian tin toys. Using digital acid etching methods, Etch is pattered for the effective filtering of light designed to cast an intricate set of shadows. The collection also features tea infusers.

LEAD TIME

4 - 7 weeks

LIGHT SOURCE

E27*40W LED
2700K warm white
Not dimmable
Lamp included

INSTALLATION

Ceiling mount,
hardwired.

FLEX CORD COLOURS

Black Braided Cable,
Length 150cm / 59".

PRODUCT SIZE

Dia 25cm x H 25cm

FITTING FINISHES

Gold, Silver, Copper

SHADE COLOURS

Gold, Silver, Copper

CERTIFICATION

CE/CCC/UL/SAA/KC

WARRANTY

3 years

Materials

Stainless steel, Iron, Metal

Voltage

AC 110-240V

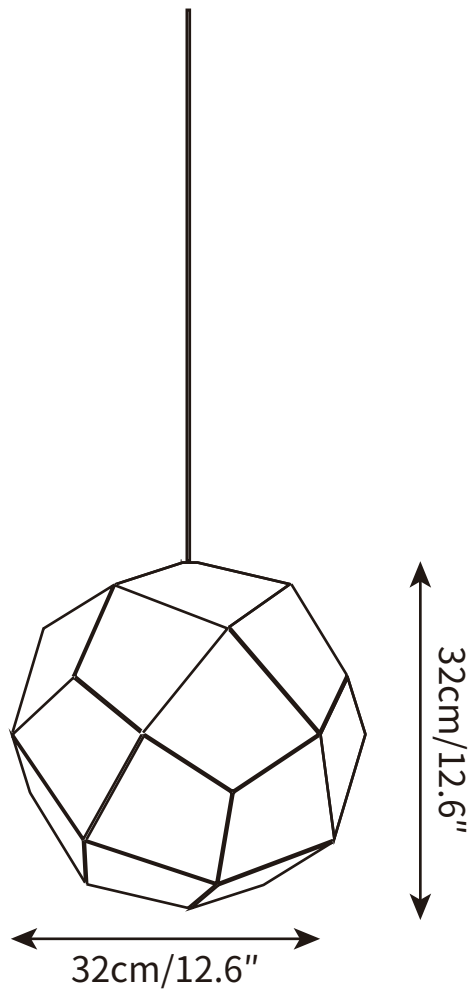
WEIGHT

2kg

ETCH PENDANT LIGHT

PENDANT

SPECIFICATION SHEET
INTERNATIONAL



ABOUT

These geodesic pendants and tea light holders are formed of finely pierced flat metal sheets tabbed together like Victorian tin toys. Using digital acid etching methods, Etch is pattered for the effective filtering of light designed to cast an intricate set of shadows. The collection also features tea infusers.

LEAD TIME

4 - 7 weeks

LIGHT SOURCE

E27*40W LED
2700K warm white
Not dimmable
Lamp included

INSTALLATION

Ceiling mount,
hardwired.

FLEX CORD COLOURS

Black Braided Cable,
Length 150cm / 59".

PRODUCT SIZE

Dia 32cm x H 32cm

FITTING FINISHES

Gold, Silver, Copper

SHADE COLOURS

Gold, Silver, Copper

CERTIFICATION

CE/CCC/UL/SAA/KC

WARRANTY

3 years

Materials

Stainless steel, Iron, Metal

Voltage

AC 110-240V

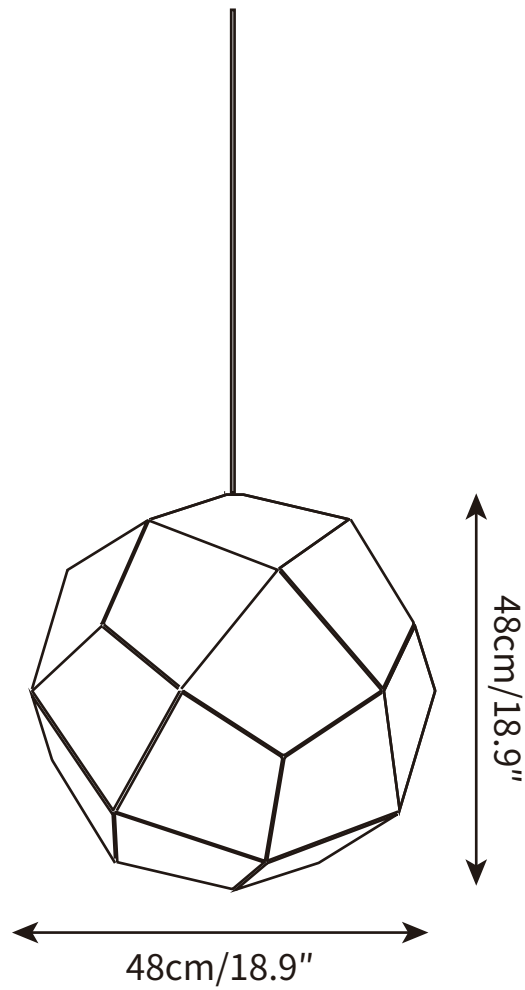
WEIGHT

3kg

ETCH PENDANT LIGHT

PENDANT

SPECIFICATION SHEET
INTERNATIONAL



ABOUT

These geodesic pendants and tea light holders are formed of finely pierced flat metal sheets tabbed together like Victorian tin toys. Using digital acid etching methods, Etch is pattered for the effective filtering of light designed to cast an intricate set of shadows. The collection also features tea infusers.

LEAD TIME

4 - 7 weeks

LIGHT SOURCE

E27*40W LED
2700K warm white
Not dimmable
Lamp included

INSTALLATION

Ceiling mount,
hardwired.

FLEX CORD COLOURS

Black Braided Cable,
Length 150cm / 59".

PRODUCT SIZE

Dia 48cm x H 48cm

FITTING FINISHES

Gold, Silver, Copper

SHADE COLOURS

Gold, Silver, Copper

CERTIFICATION

CE/CCC/UL/SAA/KC

WARRANTY

3 years

Materials

Stainless steel, Iron, Metal

Voltage

AC 110-240V

WEIGHT

3.5kg