

ENSEMBLE TABLE LAMP
TABLE LAMP

SPECIFICATION SHEET
INTERNATIONAL

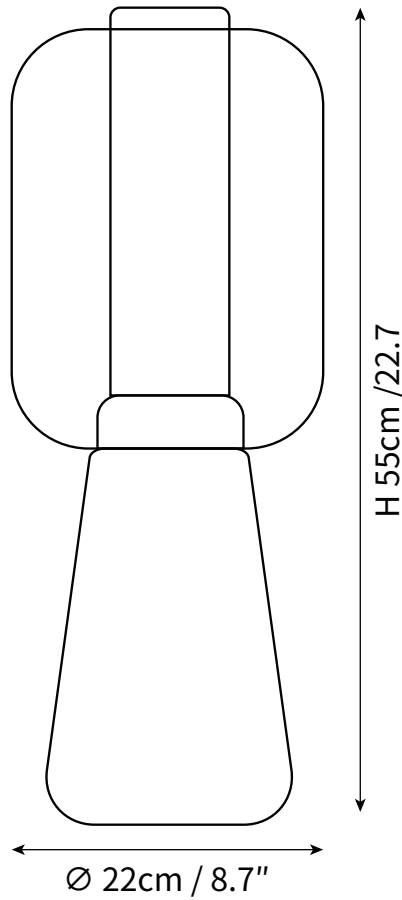


ENSEMBLE TABLE LAMP

TABLE LAMP

SPECIFICATION SHEET

INTERNATIONAL



ABOUT

Ensemble is a table lamp by the refined and contemporary design. Made absolutely traditional way according to the most ancient techniques of Murano mouth blown glass, each lamp is unique and inimitable. Created to fascinate, Ensemble plays with overlapping and joints shapes by creating a special play of reflections and transparencies. Available in different finishes, choose the one that best suits your tastes.

LEAD TIME

4 - 7 weeks

LIGHT SOURCE

E27 40W LED
2700K warm white
Not dimmable
Lamp included

FLEX CORD COLOURS

Black Switched Plug Wire,
Length 150cm / 59"

PRODUCT SIZE

Dia 22cm x H 55cm

FITTING FINISHES

Smoky gray, Amber

SHADE COLOURS

Clear

Materials

Iron, Glass

CERTIFICATION

CE/CCC/UL/SAA/KC

WARRANTY

3 years

Voltage

AC 110-240V

WEIGHT

3kg