

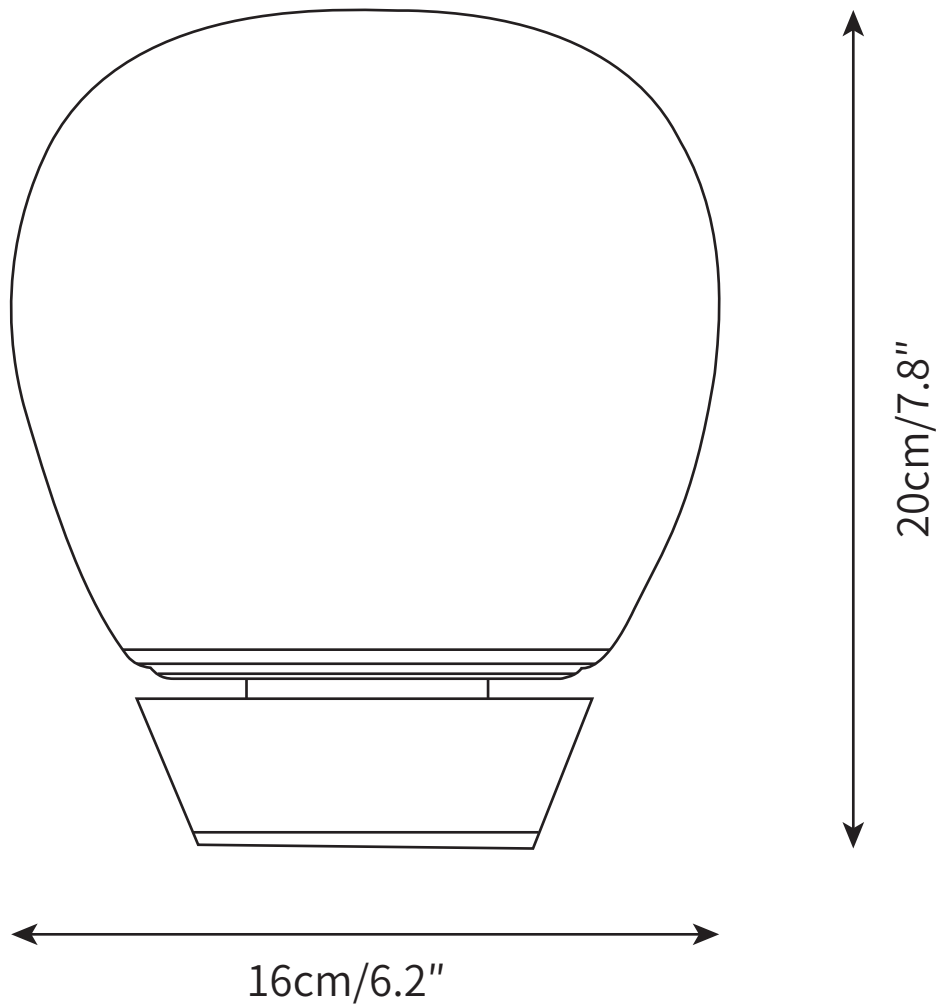
EMPATIA TABLE LAMP
TABLE LAMP

SPECIFICATION SHEET
INTERNATIONAL



EMPATIA TABLE LAMP
TABLE LAMP

SPECIFICATION SHEET
INTERNATIONAL



ABOUT

Empatia is inspired by the association between the great glass-blowing and tradition the LED technology . High interest in the expression potentials of this material resulted into co-operation with master glass blowers to gain full control of the special suppleness of Venetian glass and to work on the balance between surface and light, between subtle densities and transparencies.

LEAD TIME

4 - 7 weeks

LIGHT SOURCE

Integrated LED,
Warm White (2700K to 3300K),
Cool White (3300K to 5300K),
Not dimmable

FLEX CORD COLOURS

Black Switched Plug Wire,
Length 150cm / 59"

PRODUCT SIZE

Dia 16cm x H 20cm

FITTING FINISHES

White

SHADE COLOURS

Clear

MATERIALS

Metal, Glass

CERTIFICATION

CE/CCC/UL/SAA/KC

WARRANTY

3 years

VOLTAGE

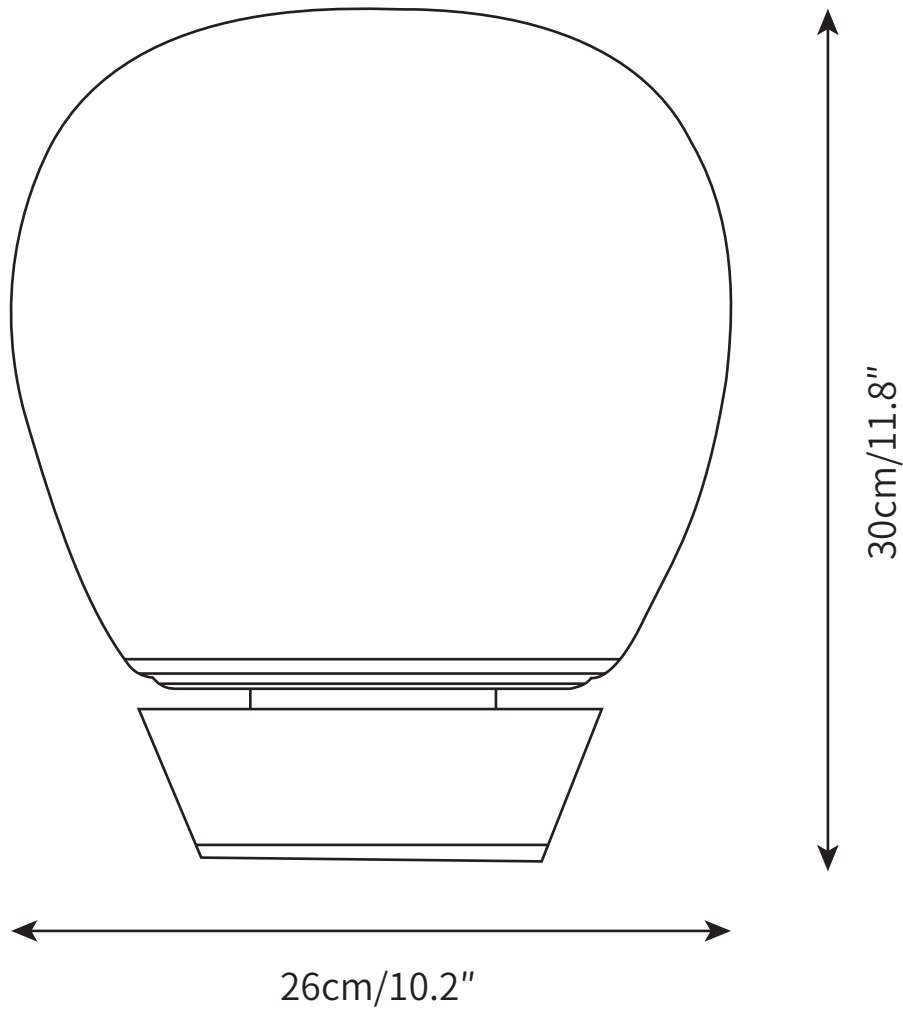
AC 110-240V

WEIGHT

2kg

EMPATIA TABLE LAMP
TABLE LAMP

SPECIFICATION SHEET
INTERNATIONAL



ABOUT

Empatia is inspired by the association between the great glass-blowing and tradition the LED technology . High interest in the expression potentials of this material resulted into co-operation with master glass blowers to gain full control of the special suppleness of Venetian glass and to work on the balance between surface and light, between subtle densities and transparencies.

LEAD TIME

4 - 7 weeks

LIGHT SOURCE

Integrated LED,
Warm White (2700K to 3300K),
Cool White (3300K to 5300K),
Not dimmable

FLEX CORD COLOURS

Black Switched Plug Wire,
Length 150cm / 59"

PRODUCT SIZE

Dia 26cm x H 30cm

FITTING FINISHES

White

SHADE COLOURS

Clear

Materials

Metal, Glass

CERTIFICATION

CE/CCC/UL/SAA/KC

WARRANTY

3 years

Voltage

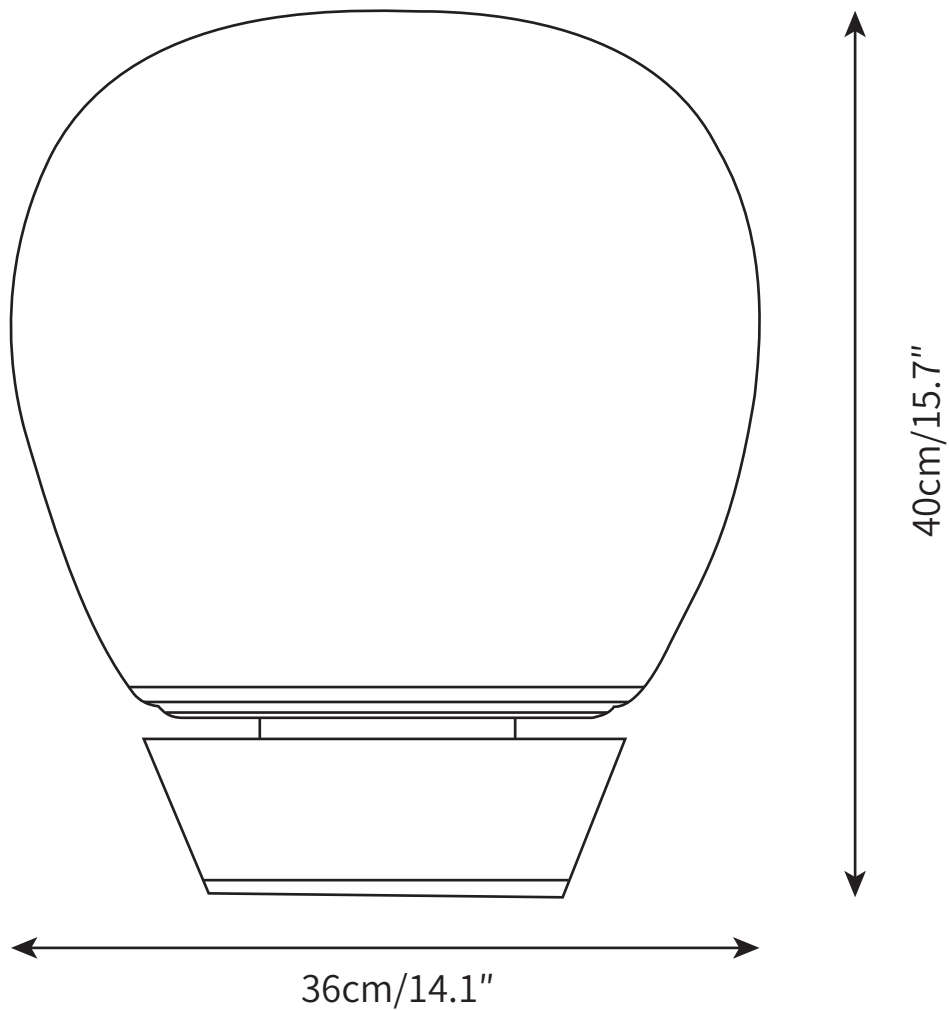
AC 110-240V

WEIGHT

3kg

EMPATIA TABLE LAMP
TABLE LAMP

SPECIFICATION SHEET
INTERNATIONAL



ABOUT

Empatia is inspired by the association between the great glass-blowing and tradition the LED technology . High interest in the expression potentials of this material resulted into co-operation with master glass blowers to gain full control of the special suppleness of Venetian glass and to work on the balance between surface and light, between subtle densities and transparencies.

LEAD TIME

4 - 7 weeks

LIGHT SOURCE

Integrated LED,
Warm White (2700K to 3300K),
Cool White (3300K to 5300K),
Not dimmable

FLEX CORD COLOURS

Black Switched Plug Wire,
Length 150cm / 59"

PRODUCT SIZE

Dia 36cm x H40cm

FITTING FINISHES

White

SHADE COLOURS

Clear

Materials

Metal, Glass

CERTIFICATION

CE/CCC/UL/SAA/KC

WARRANTY

3 years

Voltage

AC 110-240V

WEIGHT

4kg