

CLOVER TABLE LAMP  
TABLE LAMP

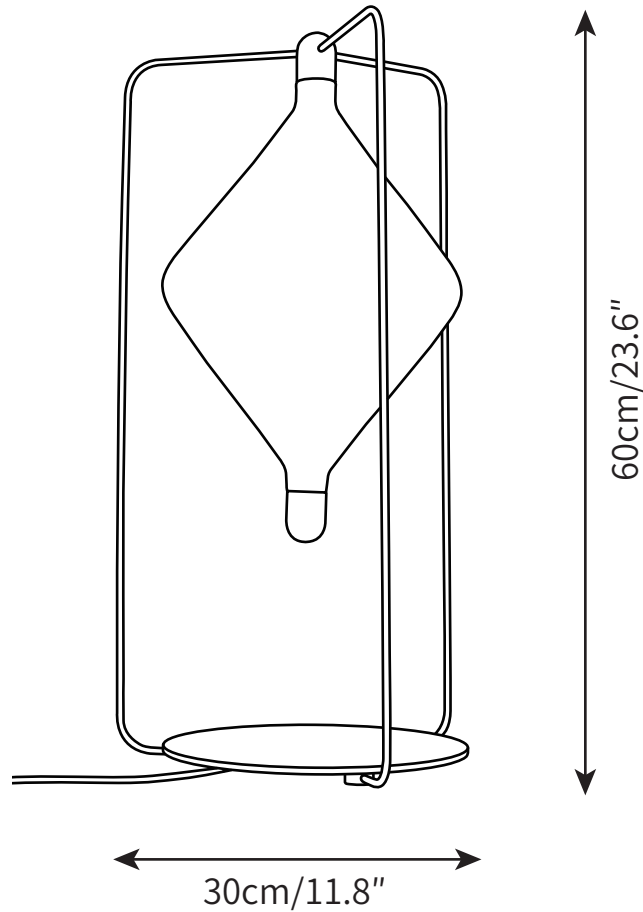
SPECIFICATION SHEET  
INTERNATIONAL



# CLOVER TABLE LAMP

TABLE LAMP

SPECIFICATION SHEET  
INTERNATIONAL



## ABOUT

The Clover array is a direct descendent of the Clover, a large geometric lighting form based upon extensive study of the opportunities presented by creating light sculptures within mathematical grid systems. Clover extracts specific elements from this study to create simple and small, usable lighting objects that easily find everyday use in the home.

## LEAD TIME

4 - 7 weeks

## LIGHT SOURCE

Integrated LED,  
Warm White (2700K to 3300K),  
Cool White (3300K to 5300K),  
Not dimmable

## FLEX CORD COLOURS

Black Switched Plug Wire,  
Length 150cm / 59"

## PRODUCT SIZE

Dia 30cm x H 60cm

## FITTING FINISHES

Gold+White

## SHADE COLOURS

White

## Materials

Metal, Glass

## CERTIFICATION

CE/CCC/UL/SAA/KC

## WARRANTY

3 years

## Voltage

AC 110-240V

## WEIGHT

3kg