

CLOVER PENDANT LAMP
PENDANT

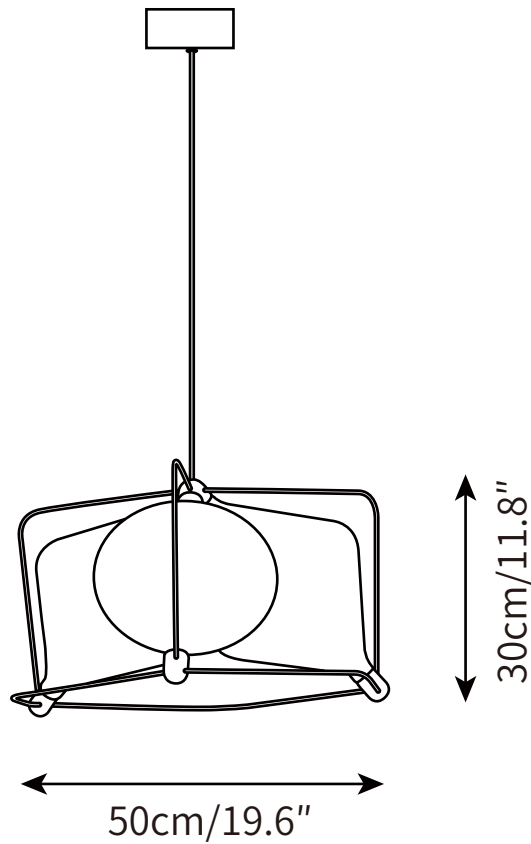
SPECIFICATION SHEET
INTERNATIONAL



CLOVER PENDANT LAMP

PENDANT

SPECIFICATION SHEET
INTERNATIONAL



ABOUT

The Clover array is a direct descendent of the Clover, a large geometric lighting form based upon extensive study of the opportunities presented by creating light sculptures within mathematical grid systems. Clover extracts specific elements from this study to create simple and small, usable lighting objects that easily find everyday use in the home.

LEAD TIME

4 - 7 weeks

LIGHT SOURCE

Integrated LED,
Warm White (2700K to 3300K),
Cool White (3300K to 5300K),
Not dimmable

INSTALLATION

Ceiling mount
Supplied with external driver.

FLEX CORD COLOURS

Black Braided Cable,
Length 150cm / 59".

PRODUCT SIZE

Dia 50cm x H 30cm

FITTING FINISHES

Gold

SHADE COLOURS

White

CERTIFICATION

CE/CCC/UL/SAA/KC

WARRANTY

3 years

Materials

Metal, Grass

Voltage

AC 110-240V

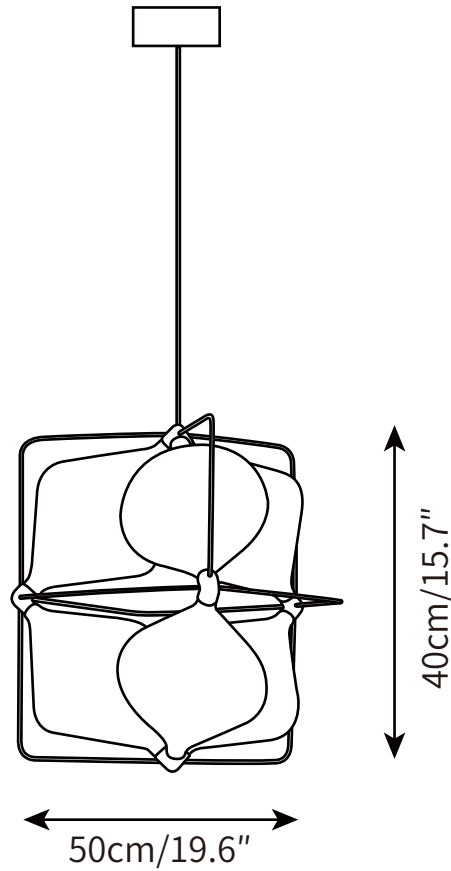
WEIGHT

4kg

CLOVER PENDANT LAMP

PENDANT

SPECIFICATION SHEET
INTERNATIONAL



ABOUT

The Clover array is a direct descendent of the Clover, a large geometric lighting form based upon extensive study of the opportunities presented by creating light sculptures within mathematical grid systems. Clover extracts specific elements from this study to create simple and small, usable lighting objects that easily find everyday use in the home.

LEAD TIME

4 - 7 weeks

LIGHT SOURCE

Integrated LED,
Warm White (2700K to 3300K),
Cool White (3300K to 5300K),
Not dimmable

INSTALLATION

Ceiling mount
Supplied with external driver.

FLEX CORD COLOURS

Black Braided Cable,
Length 150cm / 59".

PRODUCT SIZE

Dia 50cm x H 40cm

FITTING FINISHES

Gold

SHADE COLOURS

White

CERTIFICATION

CE/CCC/UL/SAA/KC

WARRANTY

3 years

Materials

Metal, Grass

Voltage

AC 110-240V

WEIGHT

5kg