

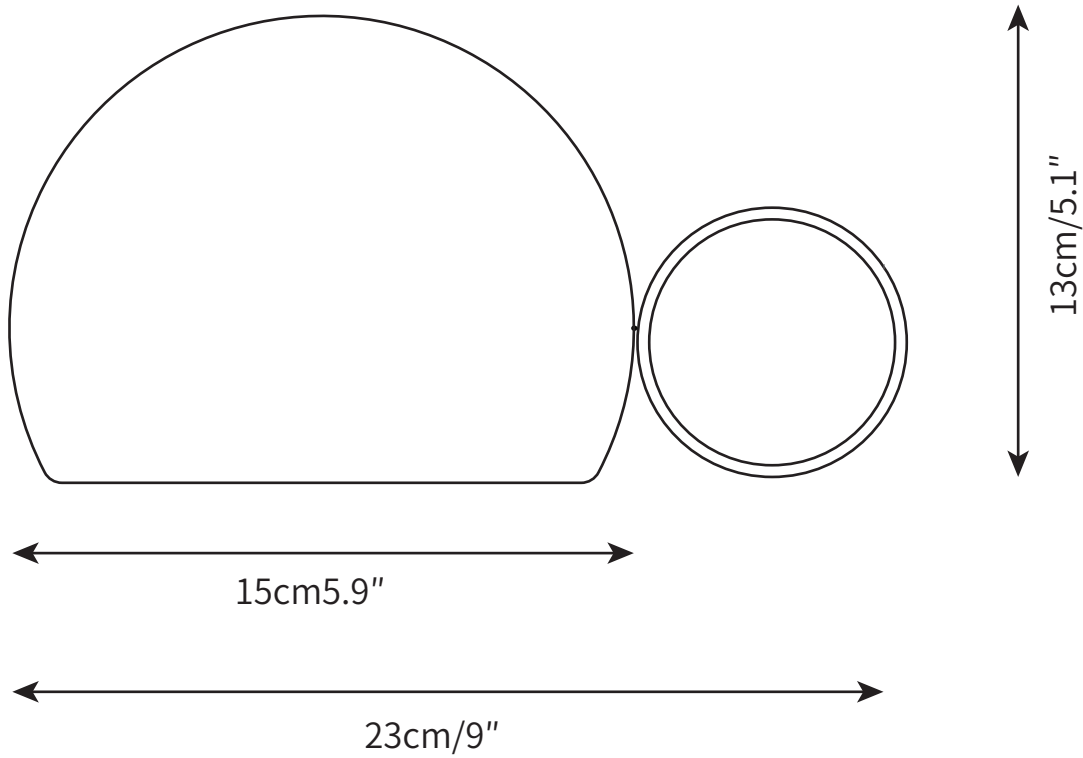
CIRC 3726 TABLE LAMP
TABLE LAMP

SPECIFICATION SHEET
INTERNATIONAL



CIRC 3726 TABLE LAMP
TABLE LAMP

SPECIFICATION SHEET
INTERNATIONAL



ABOUT

Balanced asymmetry defines these glowing hemispheres that light up an evening. A metal ring is both carrying handle and support for this portable, battery-operated light.

LEAD TIME

4 - 7 weeks

LIGHT SOURCE

Integrated LED,
Warm White (2700K to 3300K),
Cool White (3300K to 5300K),
Not dimmable

FLEX CORD COLOURS

Black Switched Plug Wire,
Length 150cm / 59"

PRODUCT SIZE

Dia 23cm x H 13cm

FITTING FINISHES

Black,
Gold

SHADE COLOURS

White

Materials

Metal, Glass

CERTIFICATION

CE/CCC/UL/SAA/KC

WARRANTY

3 years

Voltage

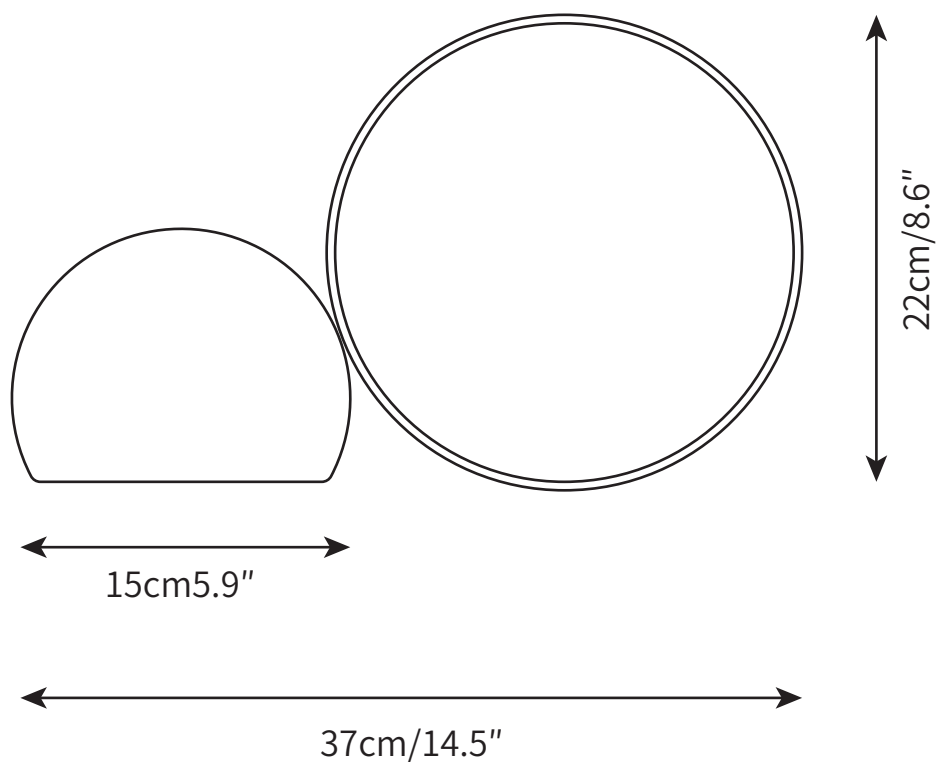
AC 110-240V

WEIGHT

2kg

CIRC 3726 TABLE LAMP
TABLE LAMP

SPECIFICATION SHEET
INTERNATIONAL



ABOUT

Balanced asymmetry defines these glowing hemispheres that light up an evening. A metal ring is both carrying handle and support for this portable, battery-operated light.

LEAD TIME

4 - 7 weeks

LIGHT SOURCE

Integrated LED,
Warm White (2700K to 3300K),
Cool White (3300K to 5300K),
Not dimmable

FLEX CORD COLOURS

Black Switched Plug Wire,
Length 150cm / 59"

PRODUCT SIZE

Dia 37cm x H 22cm

FITTING FINISHES

Black,
Gold

SHADE COLOURS

White

Materials

Metal, Glass

CERTIFICATION

CE/CCC/UL/SAA/KC

WARRANTY

3 years

Voltage

AC 110-240V

WEIGHT

2kg