

CHAMONIX SCONCE
WALL SCONCE

SPECIFICATION SHEET
INTERNATIONAL

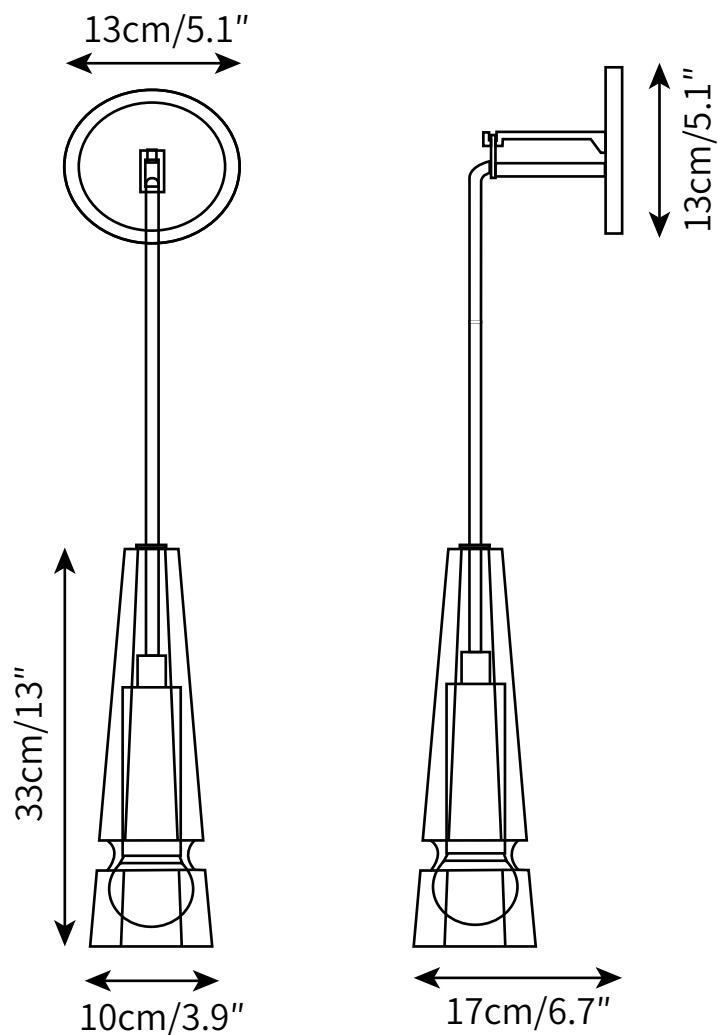


CHAMONIX SCONCE

WALL SCONCE

SPECIFICATION SHEET

INTERNATIONAL



ABOUT

The Chamonix Sconce is made of lead crystal. Each crystal shade is made by hand. The metal backplate and stem are machined and polished by hand from solid brass. The Chamonix Sconce reflects the modern style, enjoys a broad vision, makes the tired mind less depressed, and the atmosphere is more flexible and relaxed.

LEAD TIME

4 - 7 weeks

LIGHT SOURCE

Integrated LED,
Warm White (2700K to 3300K),
Cool White (3300K to 5300K),
Not dimmable

INSTALLATION

Wall mount,
Supplied with external driver

FLEX CORD COLOURS

Hardwired

PRODUCT SIZE

Dia 13cm x H 33cm

FITTING FINISHES

Brown, Silver

SHADE COLOURS

Clear Crystal

CERTIFICATION

CE/CCC/UL/SAA/KC

WARRANTY

3 years

Materials

Brass, Crystal

Voltage

AC 110-240V

WEIGHT

3 kg