

ARCLINEA PENDANT LAMP
PENDANT

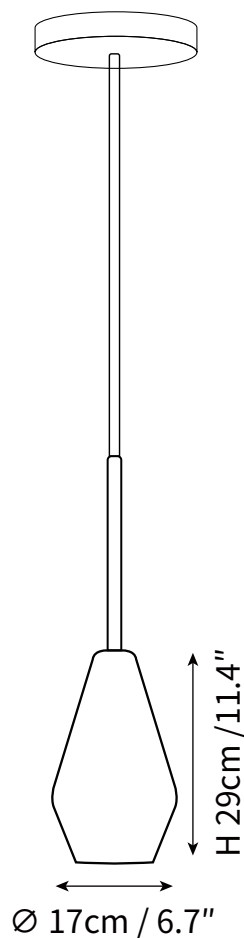
SPECIFICATION SHEET
INTERNATIONAL



ARCLINEA PENDANT LAMP

PENDANT

SPECIFICATION SHEET
INTERNATIONAL



ABOUT

Adding a new variant to this popular pendant light - the ARCLINEA Glass Pendant Light now comes in 2 new hues. A decorative pendant light with vintage gold body that comes with contrasting brown glass shade or grey glass shade. Best used in your living rooms or dining areas as ambient lighting.

LEAD TIME

4 - 7 weeks

LIGHT SOURCE

E27 40W LED
2700K warm white
Not dimmable
Lamp included

INSTALLATION

Ceiling mount,
hardwired.

ROD LENGTH

Black Braided Cable,
Length 150cm / 59".

PRODUCT SIZE

Dia 17cm x H 29cm

FITTING FINISHES

Golden

SHADE COLOURS

Clear, Amber

Materials

Metal, Glass

CERTIFICATION

CE/CCC/UL/SAA/KC

WARRANTY

3 years

Voltage

AC 110-240V

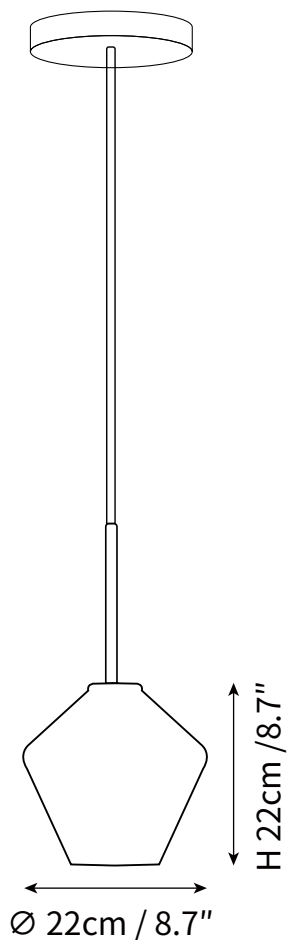
WEIGHT

3kg

ARCLINEA PENDANT LAMP

PENDANT

SPECIFICATION SHEET
INTERNATIONAL



ABOUT

Adding a new variant to this popular pendant light - the ARCLINEA Glass Pendant Light now comes in 2 new hues. A decorative pendant light with vintage gold body that comes with contrasting brown glass shade or grey glass shade. Best used in your living rooms or dining areas as ambient lighting.

LEAD TIME

4 - 7 weeks

LIGHT SOURCE

E27 40W LED
2700K warm white
Not dimmable
Lamp included

INSTALLATION

Ceiling mount,
hardwired.

ROD LENGTH

Black Braided Cable,
Length 150cm / 59\".

PRODUCT SIZE

Dia 22cm x H 22cm

FITTING FINISHES

Golden

SHADE COLOURS

Clear, Amber

Materials

Metal, Glass

CERTIFICATION

CE/CCC/UL/SAA/KC

WARRANTY

3 years

Voltage

AC 110-240V

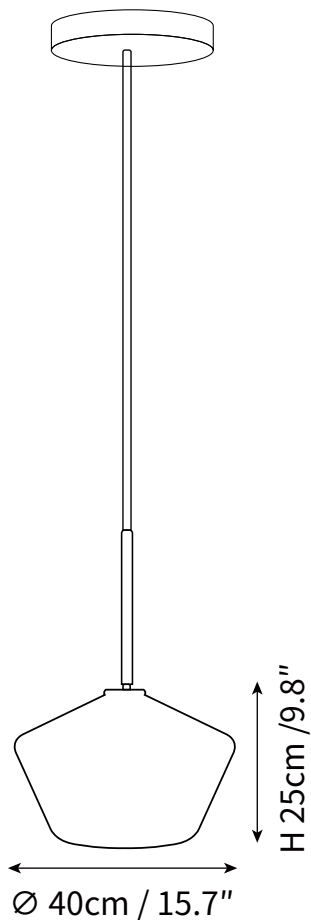
WEIGHT

3kg

ARCLINEA PENDANT LAMP

PENDANT

SPECIFICATION SHEET
INTERNATIONAL



ABOUT

Adding a new variant to this popular pendant light - the ARCLINEA Glass Pendant Light now comes in 2 new hues. A decorative pendant light with vintage gold body that comes with contrasting brown glass shade or grey glass shade. Best used in your living rooms or dining areas as ambient lighting.

LEAD TIME

4 - 7 weeks

LIGHT SOURCE

E27 40W LED
2700K warm white
Not dimmable
Lamp included

INSTALLATION

Ceiling mount,
hardwired.

ROD LENGTH

Black Braided Cable,
Length 150cm / 59".

PRODUCT SIZE

Dia 40cm x H 25cm

FITTING FINISHES

Golden

SHADE COLOURS

Clear, Amber

Materials

Metal, Glass

CERTIFICATION

CE/CCC/UL/SAA/KC

WARRANTY

3 years

Voltage

AC 110-240V

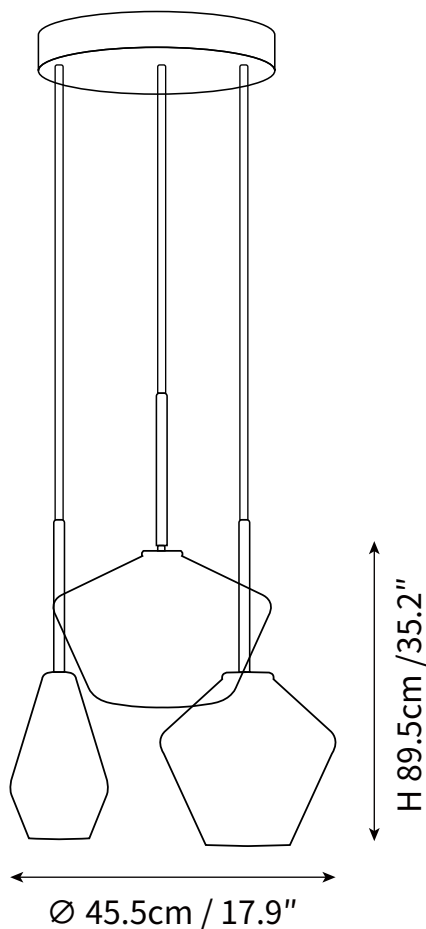
WEIGHT

4kg

ARCLINEA PENDANT LAMP

PENDANT

SPECIFICATION SHEET
INTERNATIONAL



ABOUT

Adding a new variant to this popular pendant light - the ARCLINEA Glass Pendant Light now comes in 2 new hues. A decorative pendant light with vintage gold body that comes with contrasting brown glass shade or grey glass shade. Best used in your living rooms or dining areas as ambient lighting.

LEAD TIME

4 - 7 weeks

LIGHT SOURCE

E27 40W LED
2700K warm white
Not dimmable
Lamp included

INSTALLATION

Ceiling mount,
hardwired.

ROD LENGTH

Black Braided Cable,
Length 150cm / 59".

PRODUCT SIZE

Dia 45.5cm x H 89.5cm

FITTING FINISHES

Golden

SHADE COLOURS

Clear, Amber

Materials

Metal, Glass

CERTIFICATION

CE/CCC/UL/SAA/KC

WARRANTY

3 years

Voltage

AC 110-240V

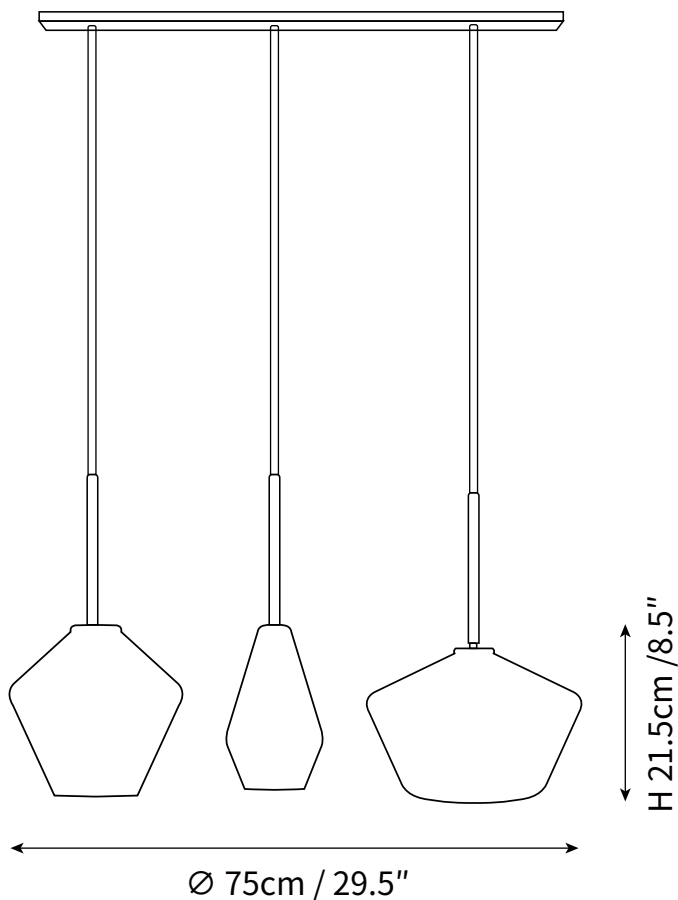
WEIGHT

10kg

ARCLINEA PENDANT LAMP

PENDANT

SPECIFICATION SHEET
INTERNATIONAL



ABOUT

Adding a new variant to this popular pendant light - the ARCLINEA Glass Pendant Light now comes in 2 new hues. A decorative pendant light with vintage gold body that comes with contrasting brown glass shade or grey glass shade. Best used in your living rooms or dining areas as ambient lighting.

LEAD TIME

4 - 7 weeks

LIGHT SOURCE

E27 40W LED
2700K warm white
Not dimmable
Lamp included

INSTALLATION

Ceiling mount,
hardwired.

ROD LENGTH

Black Braided Cable,
Length 150cm / 59".

PRODUCT SIZE

Dia 75cm x H 21.5cm

FITTING FINISHES

Golden

SHADE COLOURS

Clear, Amber

Materials

Metal, Glass

CERTIFICATION

CE/CCC/UL/SAA/KC

WARRANTY

3 years

Voltage

AC 110-240V

WEIGHT

10kg