

ARC PENDANT LAMP

PENDANT

SPECIFICATION SHEET

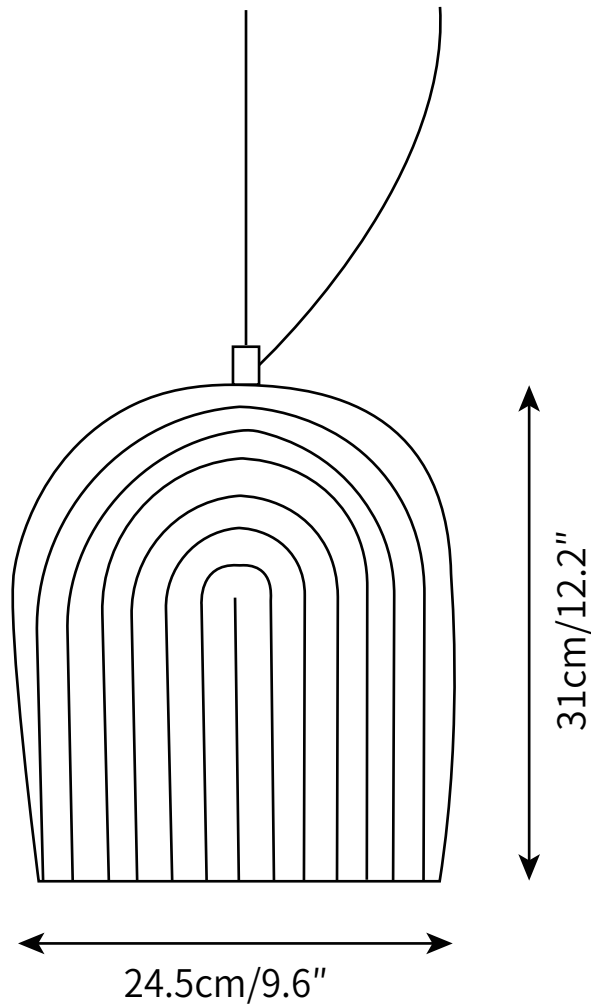
INTERNATIONAL



ARC PENDANT LIGHT

PENDANT

SPECIFICATION SHEET
INTERNATIONAL



ABOUT

Arc pendant Lamp is an elegant urban chic lighting with a simple yet understated sophistication. The vast curves and ceiling arches of the church are incorporated into the design as a reference to traditional pleating techniques. Arc pendant lamp for hardwire into the ceiling with structural steel wire. A wire lock is included to attach to the ceiling.

LEAD TIME

4 - 7 weeks

LIGHT SOURCE

E27 40W LED
2700K warm white
Not dimmable
Lamp included

FLEX CORD COLOURS

Black Braided Cable,
Length 150cm / 59".

PRODUCT SIZE

Dia 24.5cm x H 31cm

FITTING FINISHES

Black

SHADE COLOURS

White

Materials

Aluminum, Iron, Acrylic

CERTIFICATION

CE/CCC/UL/SAA/KC

WARRANTY

3 years

Voltage

AC 110-240V

WEIGHT

2kg