

AMP PENDANT LAMP
PENDANT

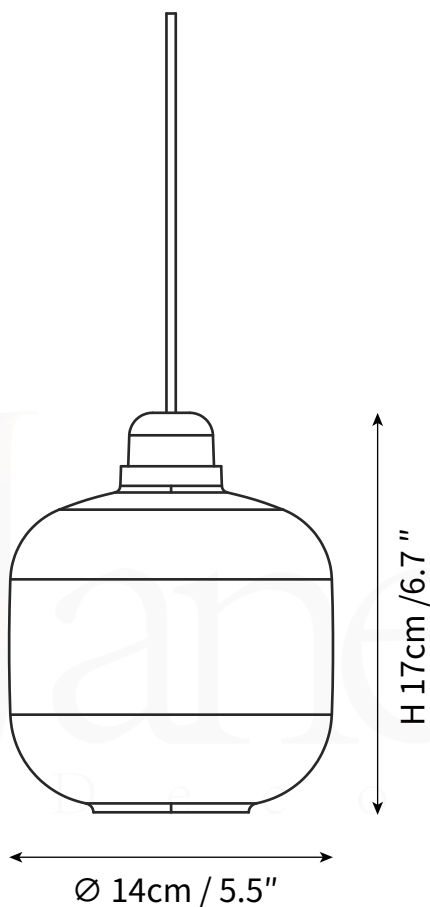
SPECIFICATION SHEET
INTERNATIONAL



AMP PENDANT LAMP

PENDANT

SPECIFICATION SHEET
INTERNATIONAL



ABOUT

Amp is a range of small lamps inspired by old tube amplifiers from the 1960s. The unique shapes and classic materials of marble and glass add a nostalgic and at the same time, contemporary feel to Amp. The lamp collection produces a beautiful and comfortable light, and the sophisticated design can form a part of many different interior decors. Hang one Amp Lamp in the hallway, in a corner of the living room, or create a cluster of Amp Lamps over your dining room table for modern ballroom effect.

LEAD TIME

4 - 7 weeks

LIGHT SOURCE

E14 15W LED
2700K warm white
Not dimmable
Lamp included

INSTALLATION

Ceiling mount,
hardwired.

FLEX CORD COLOURS

Black Braided Cable,
Length 150cm / 59".

PRODUCT SIZE

Dia 14cm x H 17cm
Dia 11cm x H 26cm

FITTING FINISHES

Black, Green, White

SHADE COLOURS

Smoke gray, Amber, White

CERTIFICATION

CE/CCC/UL/SAA/KC

WARRANTY

3 years

MATERIALS

Iron, Glass, Marble

VOLTAGE

AC 110-240V

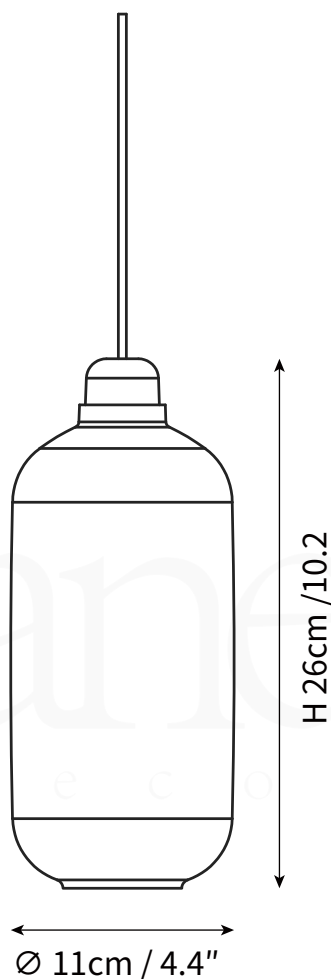
WEIGHT

3kg

AMP PENDANT LAMP

PENDANT

SPECIFICATION SHEET
INTERNATIONAL



ABOUT

Amp is a range of small lamps inspired by old tube amplifiers from the 1960s. The unique shapes and classic materials of marble and glass add a nostalgic and at the same time, contemporary feel to Amp. The lamp collection produces a beautiful and comfortable light, and the sophisticated design can form a part of many different interior decors. Hang one Amp Lamp in the hallway, in a corner of the living room, or create a cluster of Amp Lamps over your dining room table for modern ballroom effect.

LEAD TIME

4 - 7 weeks

LIGHT SOURCE

E14 15W LED
2700K warm white
Not dimmable
Lamp included

INSTALLATION

Ceiling mount,
hardwired.

FLEX CORD COLOURS

Black Braided Cable,
Length 150cm / 59".

PRODUCT SIZE

Dia 14cm x H 17cm
Dia 11cm x H 26cm

FITTING FINISHES

Black, Green, White

SHADE COLOURS

Smoke gray, Amber, White

CERTIFICATION

CE/CCC/UL/SAA/KC

WARRANTY

3 years

Materials

Iron, Glass, Marble

Voltage

AC 110-240V

WEIGHT

3kg