

ALFA TABLE LAMP
TABLE LAMP

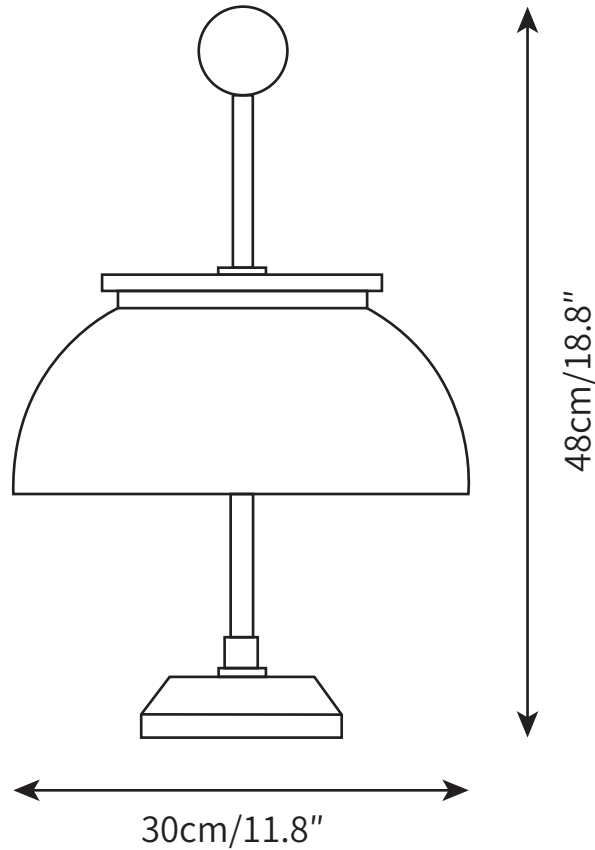
SPECIFICATION SHEET
INTERNATIONAL



ALFA TABLE LAMP

TABLE LAMP

SPECIFICATION SHEET
INTERNATIONAL



ABOUT

The Alfa Table Lamp features raw materials such as the crystal glass, Nickel, marble and metal in its creation. The crystal glass of the lamp is used to create the lamps shade, the marble is used in the making of the lamps base as the lamp is created to have a hand tuned metal column. The base finish is in black color, glass of the lamp is crystal while the body is finished in opaque Nickel pleated.

LEAD TIME

4 - 7 weeks

LIGHT SOURCE

Integrated LED,
Warm White (2700K to 3300K),
Cool White (3300K to 5300K),
Not dimmable

FLEX CORD COLOURS

Black Switched Plug Wire,
Length 150cm / 59"

PRODUCT SIZE

Dia 30cm x H 48cm

FITTING FINISHES

Black, Silver

SHADE COLOURS

White

MATERIALS

Metal, Marble, Glass

CERTIFICATION

CE/CCC/UL/SAA/KC

WARRANTY

3 years

VOLTAGE

AC 110-240V

WEIGHT

3kg