

WHERE SCIENCE
MEETS LOVE®



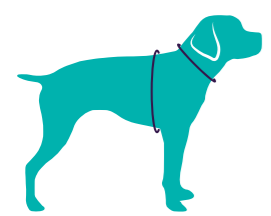
CALMER CANINE®

FOR SOOTHING ANXIETY AND STRESS

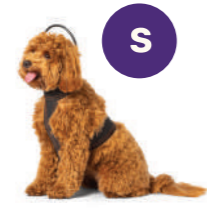
USER MANUAL

Incubate
Animal Health
Looking after innovation

ASSISI
ANIMAL
HEALTH



NECK 15cm-23cm
CHEST 25cm-38cm



NECK 23cm-30cm
CHEST 28cm-51cm



NECK 30cm-38cm
CHEST 51cm-63cm



NECK 38cm-48cm
CHEST 63cm-81cm



NECK 48cm-58cm
CHEST 81cm-99cm

Welcome to Calmer Canine™

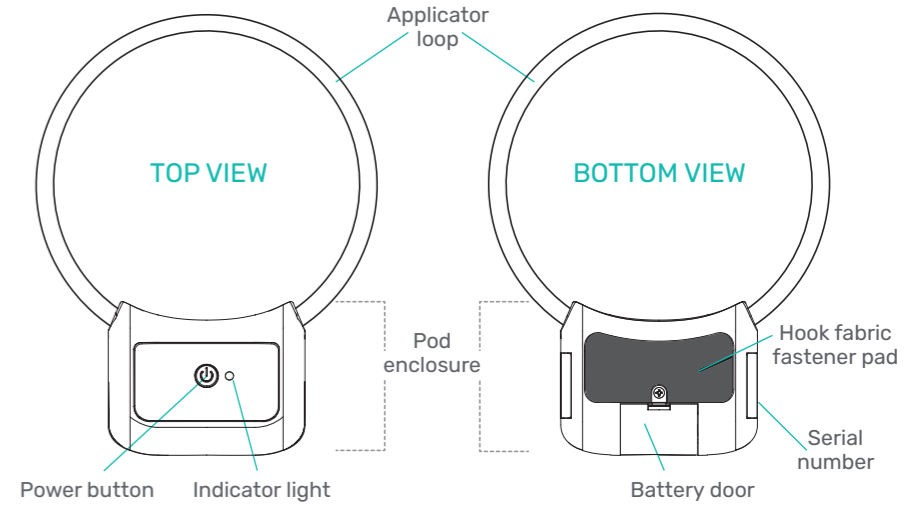
Thank you for purchasing the Calmer Canine device. This innovative product supports calming behaviour in anxious dogs through targeted, pulsed electro-magnetic field (tPEMF™) technology.

Table of Contents:

Convenience Vest.....	4	What to Expect.....	11
Safety Warnings.....	5	Care and Maintenance.....	12
Introducing Your Dog to the System.....	6	Replacing the Battery.....	13
Fitting the Vest.....	7	How to Dispose of the Device.....	14
Attaching the Device to the Vest.....	8	For More Information.....	14
Using the Device Without Vest.....	9	Technical Specifications.....	15
Using Calmer Canine.....	10		

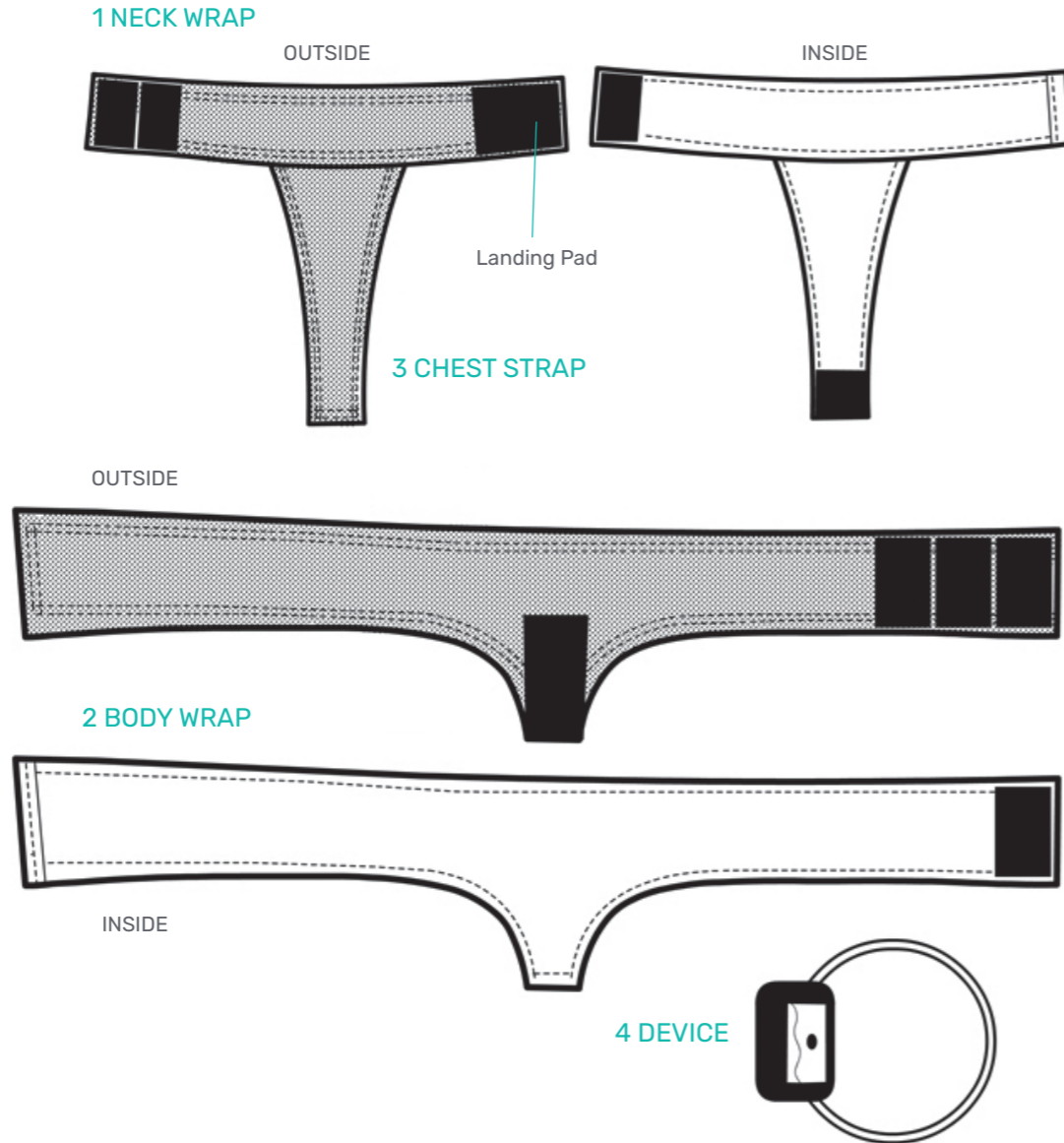
THE CALMER CANINE DEVICE

- The battery powered device features a pod enclosure and an integrated applicator loop that delivers the tPEMF. To accommodate dogs of different sizes, the applicator loop is available in two diameters: 12cm and 18cm.
- The device may be purchased alone, or as a System (which includes the Calmer Canine Convenience Vest)



The Calmer Canine Convenience Vest is a harness system that holds the device in the correct position during use. For dogs that are not comfortable wearing garments or are reactive to the sound of hook-and-loop fasteners, the device can be held by hand in the proper position without the vest.

1. Neck wrap, which features the landing pad the device (No.4) attaches to
2. Body wrap
3. Chest strap connects the neck wrap to the body wrap



- **DO NOT** use the Calmer Canine device if you or your dog have an implanted electronic medical device, such as a pacemaker or insulin pump. The device is safe to use on dogs with microchips.
 - **DO NOT** use in the presence of a flammable anaesthetic mixture with air, or with oxygen or nitrous oxide, or in oxygen-enriched atmospheres.
 - **DO NOT** use on or near any other electromagnetic devices, such as lasers or magnets. This could damage the device and reduce its effectiveness.
 - **CHECK** the applicator loop and pod before each use to make sure they are in good condition. **DO NOT** bend or stretch the coil, which could damage the device and reduce its effectiveness.
 - Sessions should be carried out indoors only. The Calmer Canine device is **NOT** weatherproof and is **NOT** intended for outdoor use.
 - Although the device is resistant to minor water splashing, it is not waterproof. **DO NOT** immerse it in water or allow your dog to wear it in the rain.
 - **DO NOT** leave your dog unsupervised with the Calmer Canine device.
 - **DO NOT** let your dog wear a metal collar, or sit on or near a large metal surface, such as a wire crate during use. Metal can reduce the effectiveness of the device. (A metal ID tag will not affect the device.)
 - Remove any electronic devices from your dog (e.g. activity monitors) before using Calmer Canine, as these may reduce the effectiveness of the device.
 - The lithium battery is not rechargeable. To avoid risk of fire, **DO NOT** attempt to recharge.
 - **DO NOT** allow your dog to chew on or ingest the device.
- NOTE: While in use, the Calmer Canine device can interfere with TVs, radios, citizen band radios, telephones and other devices that produce, detect and amplify radio signals. (Mobile phone and Wi-Fi signals are not affected.) The interference may cause the distortion of a TV picture or be heard as a repetitive "tick" in an FM radio. The interference will not damage these devices.

SAFETY SYMBOLS

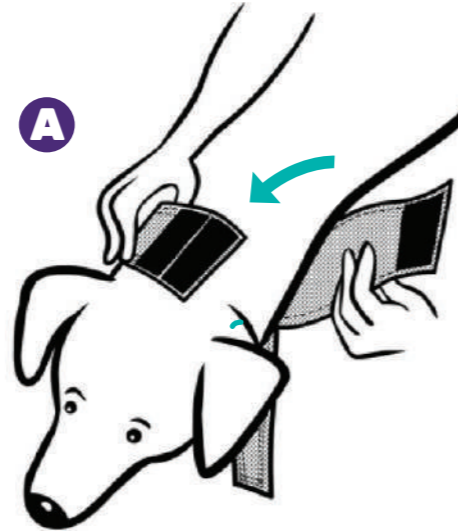
SYMBOL	PUBLICATION	DESCRIPTION
	EN 980-2003 No. 5.8	Consult the User Manual for instructions on use

SYMBOL	PUBLICATION	DESCRIPTION
	Directive 2006/66EC Annex 2	Requirement for the separate collection of batteries

For the best experience, it's important for your dog to feel comfortable wearing the vest and have a positive association with the Calmer Canine system. Use positive reinforcement to praise your dog as they get used to wearing the vest.

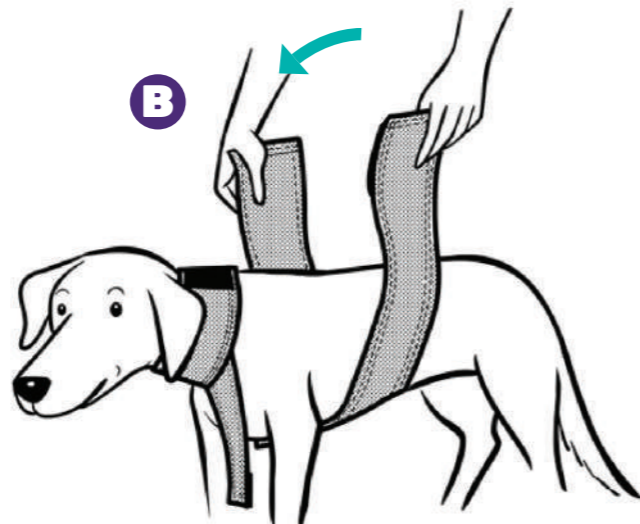
STEP 1

Position the neck wrap on your dog loosely at first, letting the chest strap hang down, start with short periods of time, without adding the device, and gradually adjust the neck strap so that it fits snugly. (Most dogs do not mind the neck wrap if they are used to wearing collars). **A**



STEP 2

Once your dog is comfortable with the neck wrap, add the body wrap loosely at first, gradually tightening it for a snug fit. **B** Once your dog is comfortable with the neck and body wrap you can attach the chest strap to the body wrap.

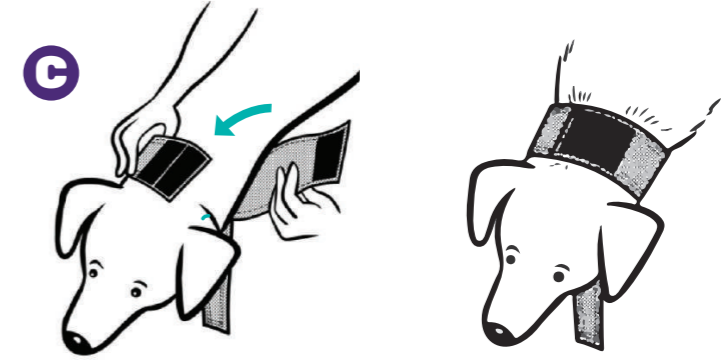


STEP 3

Work your way up to letting your dog wear the vest around the house without the device.

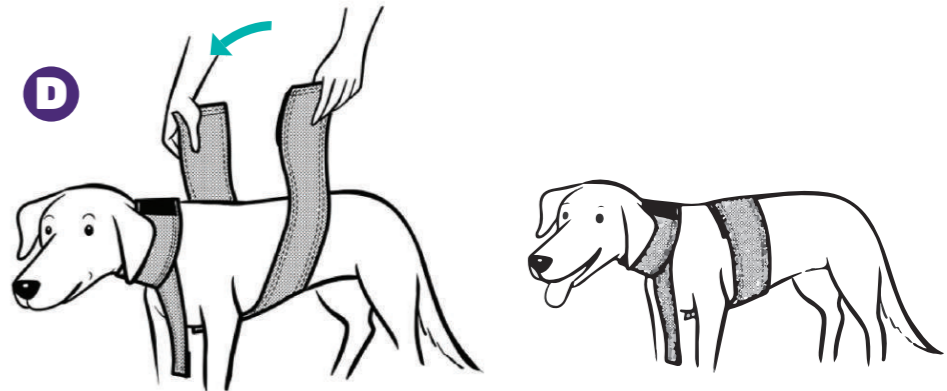
STEP 1

Adjust the neck wrap so that it fits snugly—but not tightly—around your dog's neck. The landing pad that holds the device should be centred at the back of their neck. Depending on the length of their neck, there may be a space between the wrap and the base of your dog's head. **C**



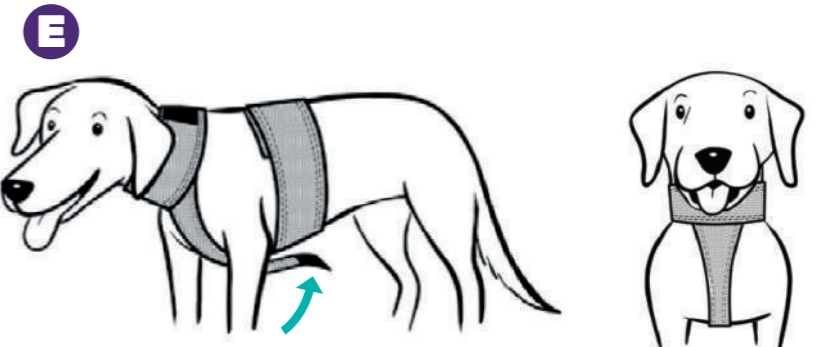
STEP 2

Position the body wrap just behind their front legs. The wrap should be snug but not tight. **D**



STEP 3

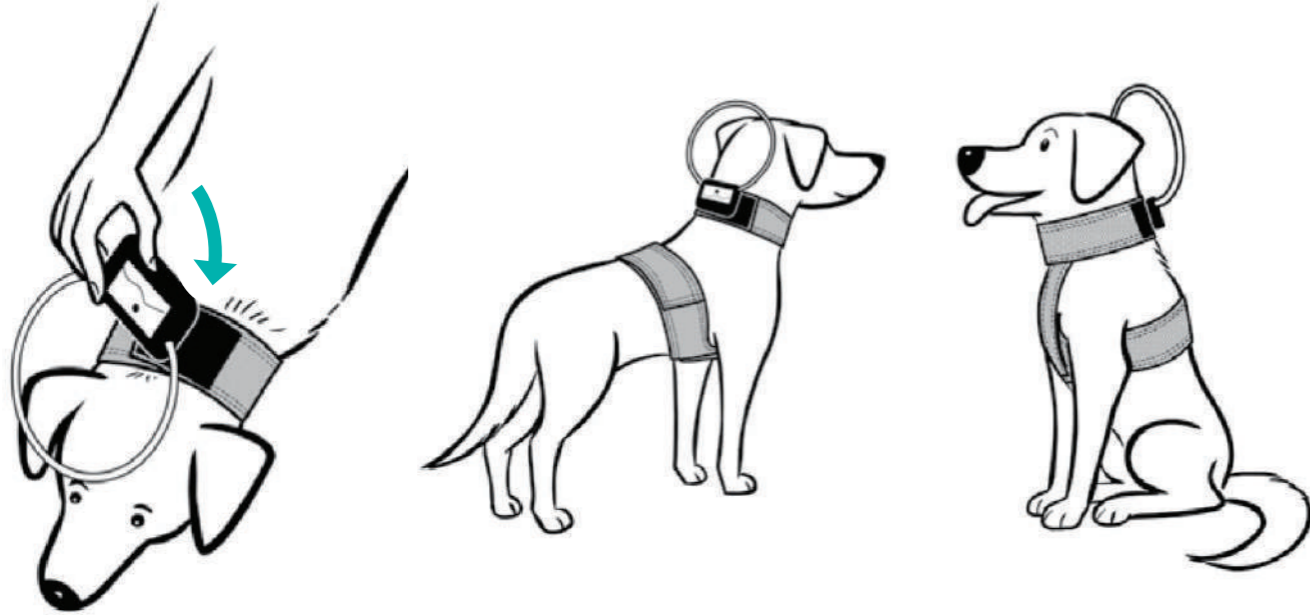
Attach the chest strap so that it connects the neck wrap with the body wrap. The chest strap should fit comfortably but not too loosely. Adjust the neck strap, if needed. **E**



TIP

For a better fit, you may remove your dog's collar.

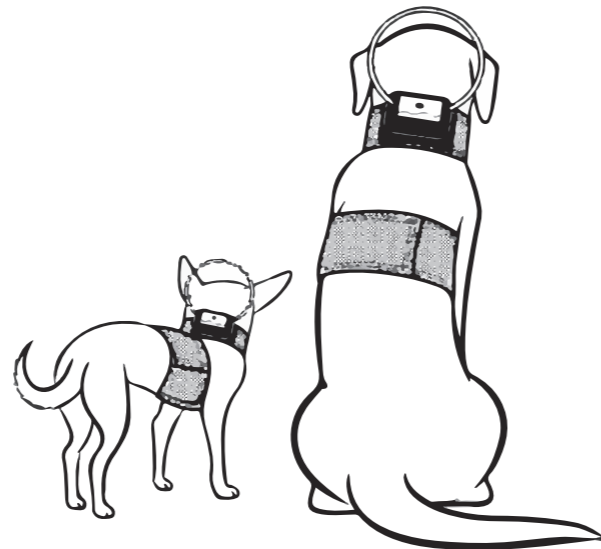
Once the vest is positioned on your dog, attach the device by connecting the hook and loop fastener on the back of the device to the landing pad on the back of the neck wrap. This enables you to give your dog a session with the device without holding it in place. **F**



Ideally, the centre of the applicator loop will be directly over the top of your dog's head, between their ears. The applicator loop can either gently rest on top of the head, or up to 10cm above their head.

TIP

If the device is pressing on your dog's head or resting over their eyes, you can move the device farther down on the landing pad. If the device is too far away from your dog's head, you can move it farther up on the landing pad



If you are not using the vest, you may hold the Calmer Canine device by hand over your dog's head. You should position the device with the centre of the coil centred over the area between your dog's ears. The device may rest on your dog's head or you can hold it off the head a few centimetres away. The device should be held no more than 10cm from your dog's head during use. **G**



Keep the device within 10cm of your dog's head while in use.



To Start: Put the vest on your dog and attach the device. If not using the vest, hold the device in the proper position over your dog's head (see illustration G on page 9). Press the power button to turn on the device. You will see a flashing blue light, indicating the device is on. The device will remain on for 15 minutes before it automatically turns off.

During Use: Your dog should be supervised and remain indoors while using the device. If your dog is wearing the vest, they can lie down, sit or move around—whatever they prefer. Rough play or activity should be avoided because it could dislodge the device.

NOTE: If you need to turn off the device before the 15-minute cycle has ended, press the power button. The blue light should stop flashing, indicating the device is off.

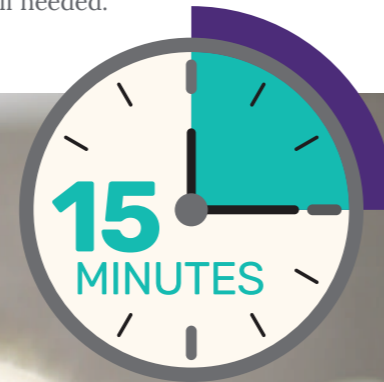
TIPS

- Only initiate a session when your dog is calm. To help them relax, try taking them for a short walk.
- Give your dog plenty of praise and treats during sessions to reinforce their positive association with the system.

After Use: To remove the vest, undo the body wrap and then the neck strap. Store the Calmer Canine system in a safe place, out of your dog's reach, until the next session.

SCHEDULE

For best results, we recommend two sessions a day, 8 to 10 hours apart. You should continue these twice-daily sessions for 4 to 6 weeks— or longer, if needed.



WHEN WILL YOU START SEEING POSITIVE CHANGES?

Every dog responds differently. You may notice positive changes in just a few days, or it may take several weeks before you see any difference in behaviour. Even if you notice changes early on, use the Calmer Canine device for a full cycle: twice a day (8 to 10 hours apart) for 4 to 6 weeks. Some dogs need to use the device for longer than 6 weeks before significant positive changes are seen.

WHAT WILL YOU NOTICE?

Use of Calmer Canine, as directed, will aid in calming stressed or anxious dogs, and can provide lasting calm for general anxiety in your dog. All dogs are individuals and may exhibit different types of anxious behaviour. Use of the calmer canine device helps to soothe dogs coping with loud noises, travel, strangers and general anxiety. You can monitor your dog's progress with your veterinarian and by keeping a diary of behaviour. We recommend recording your dog's behaviour before you start using the device, and weekly thereafter to monitor any changes.

HOW LONG DO THE EFFECTS LAST?

For some dogs, after 4 to 6 weeks a significant positive change is seen and no further sessions are required. Other dogs need periodic cycles with the device beyond the initial 6 weeks.

WHEN TO STOP USING THE CALMER CANINE DEVICE

We recommend using Calmer Canine initially for 4 to 6 weeks, even if you see satisfactory positive changes sooner. After this initial course, you may continue to use Calmer Canine until you are satisfied your dog has received the beneficial effects of the device. Some dogs may require use for longer than 6 weeks.

DEVICE

- As needed, wipe the Calmer Canine device with a soft cloth dampened with 70% or higher isopropyl alcohol.
- Wait for a minimum of 15 minutes before using the device to ensure all alcohol has evaporated.

VEST

- **IMPORTANT:** Remove the device before washing the vest. The device is **NOT** waterproof.
- Machine wash the vest in warm water with mild soap. Tumble dry low or air dry.

NOTE: Aside from changing or accessing the battery, there are no user serviceable parts inside the main pod enclosure.

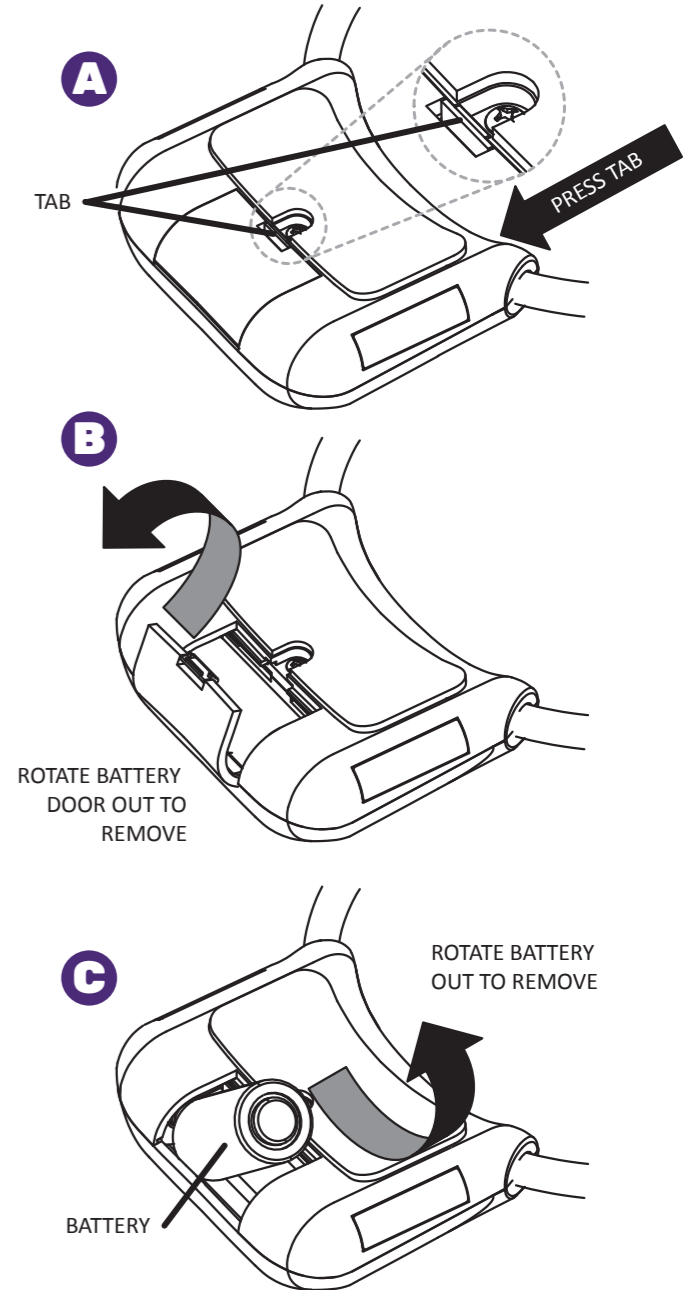


REPLACING THE BATTERY

The flashing orange indicator light signals the battery is depleted and needs replacing:

1. Remove the Calmer Canine device from the vest, if attached.
2. To remove the battery, press the battery tab located on the bottom of the pod. **A**
3. While pressing the battery tab, rotate the battery door out to remove it. **B**
4. Remove the depleted battery by rotating it out of the pod enclosure. **C**

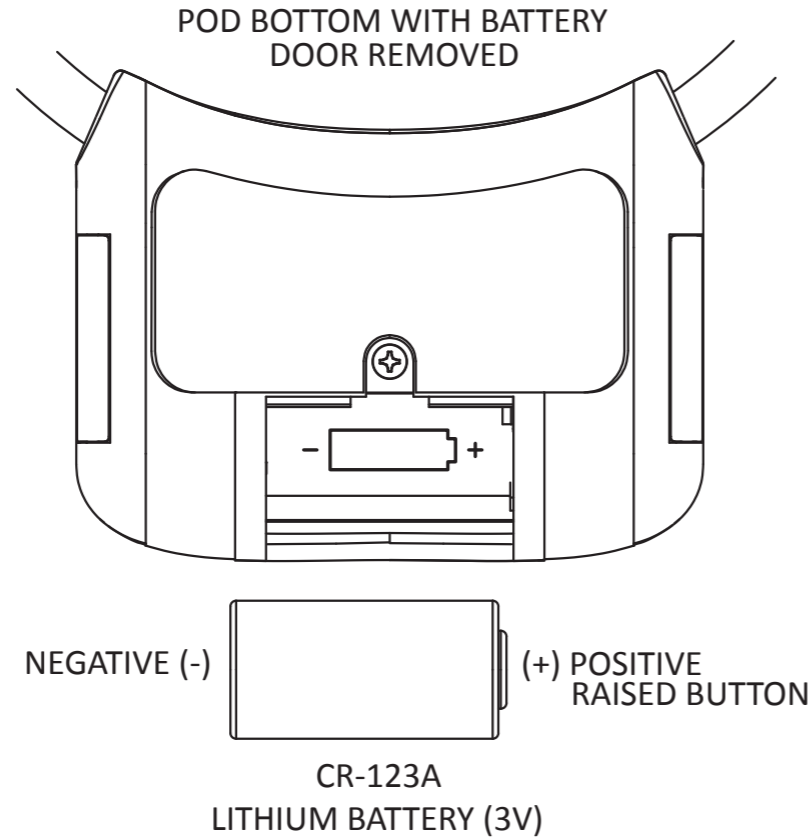
WARNING: The lithium battery is not rechargeable. To avoid risk of fire, **DO NOT** attempt to recharge



Please consult your local regulations for the proper disposal of depleted lithium batteries.

Use a fresh CR123A lithium battery.
Panasonic® CR123A lithium batteries are recommended to ensure the device will perform as factory-tested. Insert the battery with the positive and negative ends oriented as shown (pictured).

NOTE: Inserting the battery incorrectly could damage the electronic circuits in the Calmer Canine device. Replace the battery door, snapping the tab into place.



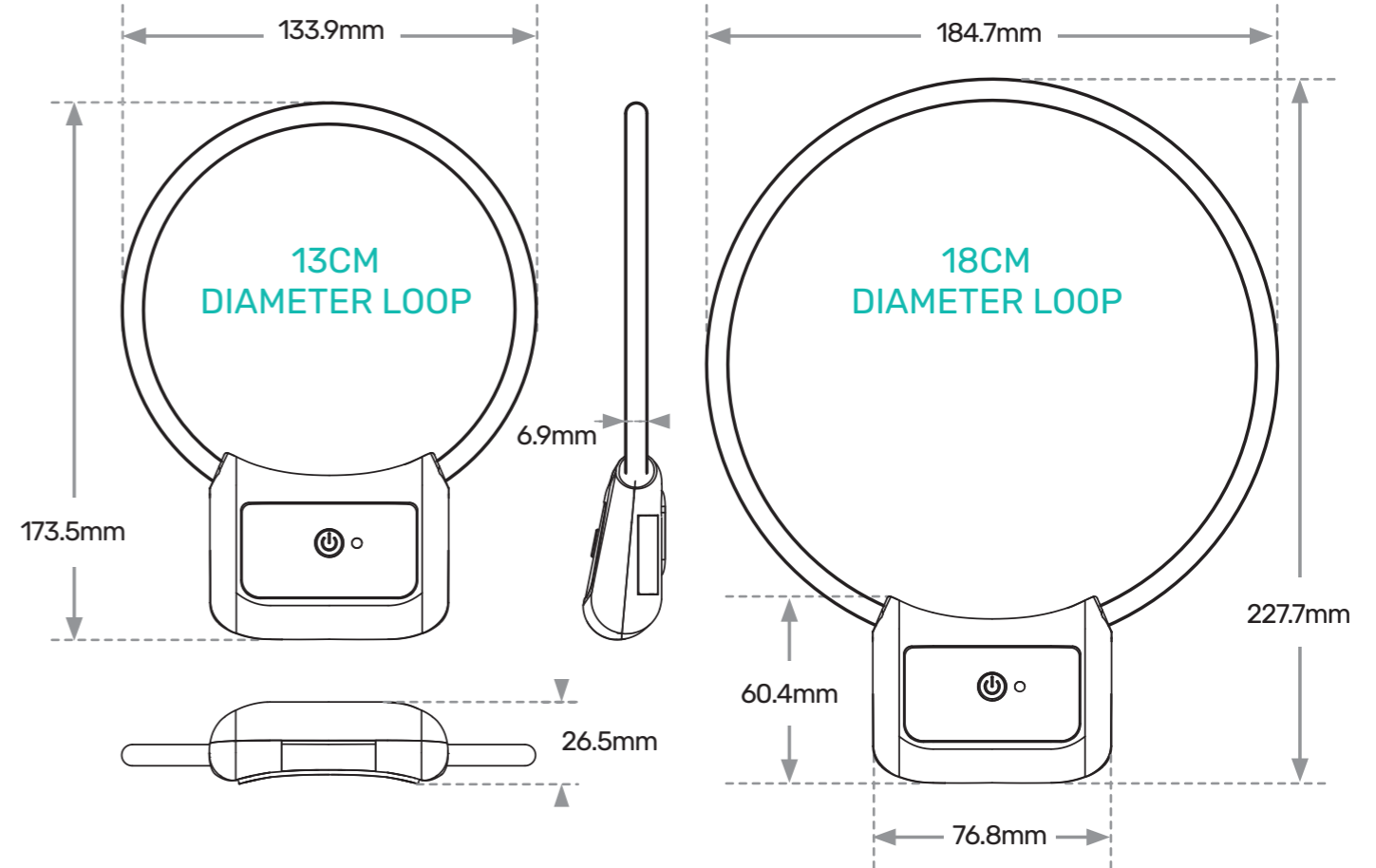
HOW TO DISPOSE OF THE DEVICE

The Calmer Canine device is an electronic device containing a lithium battery. Please consult your local regulations for the proper disposal guidelines.

FOR MORE INFORMATION

If you have any questions about the Calmer Canine System, visit incubateanimalhealth.com or contact Incubate Animal Health:
Phone: 0330 1743194
Email: info@incubateanimalhealth.com

OVERALL DIMENSIONS



- Net Weight Without Packaging:
13cm Diameter Model: 70g
18cm Diameter Model: 80g
- Power Supply: CR-123A Lithium Primary Cell, 3 Volt, 15mA
- Storage Temperature: -16°C to 40°C
- Storage Relative Humidity: 8% to 75% (noncondensing)
- Operating Temperature: 10°C to 35°C
- Operating Relative Humidity: 8% to 75% (noncondensing)



Contact:
0330 1743194
info@incubateanimalhealth.com
incubateanimalhealth.com



MANUFACTURED IN THE U.S.A. U.S. PATENT 7,744,524 and patents pending

©2019 Assisi Animal Health and its affiliates. Calmer Canine™ and tPEMF™ are trademarks of Assisi Animal Health LLC. ALL RIGHTS RESERVED