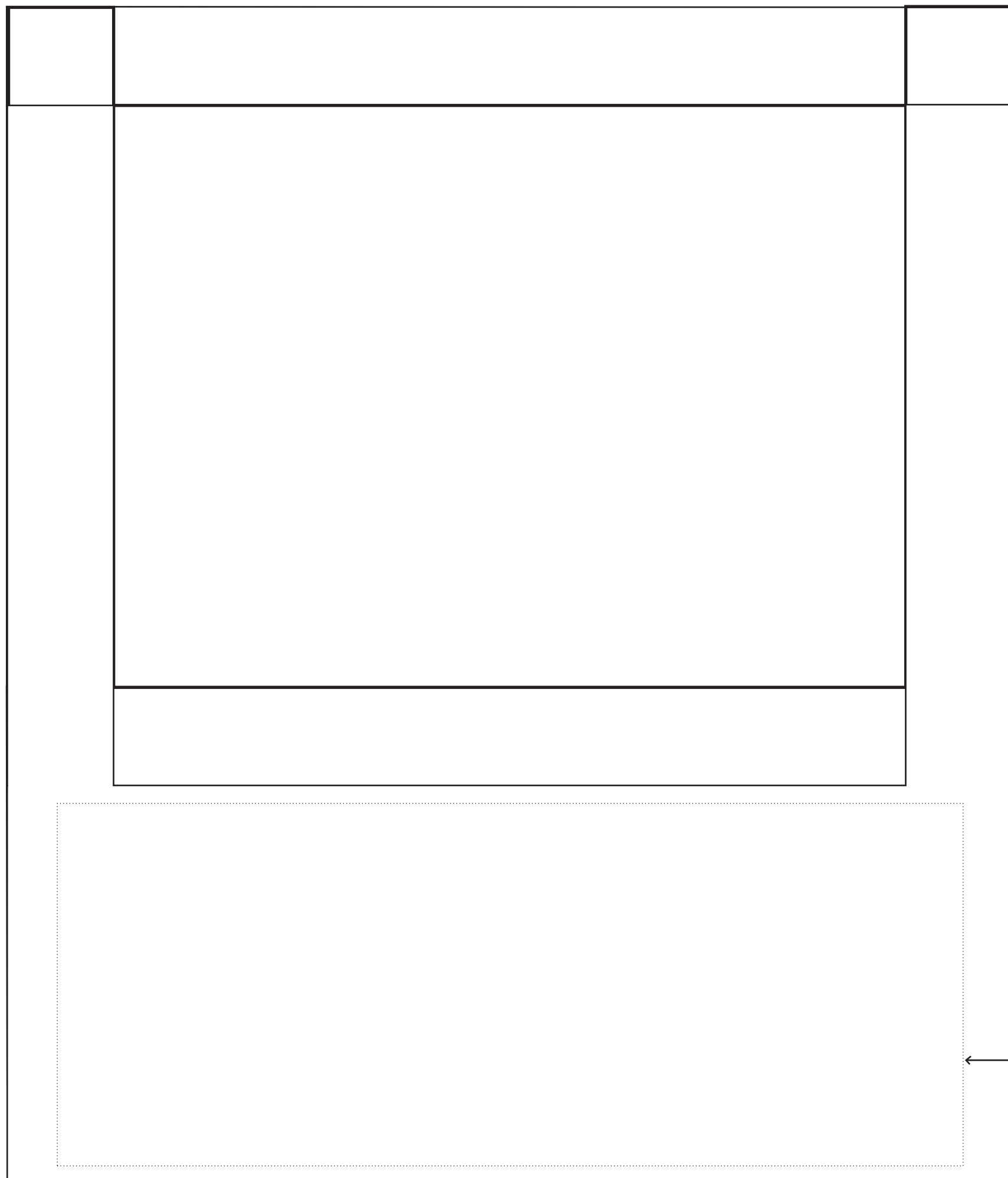
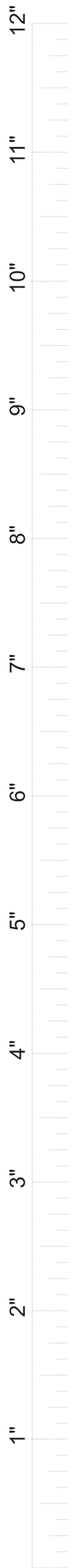
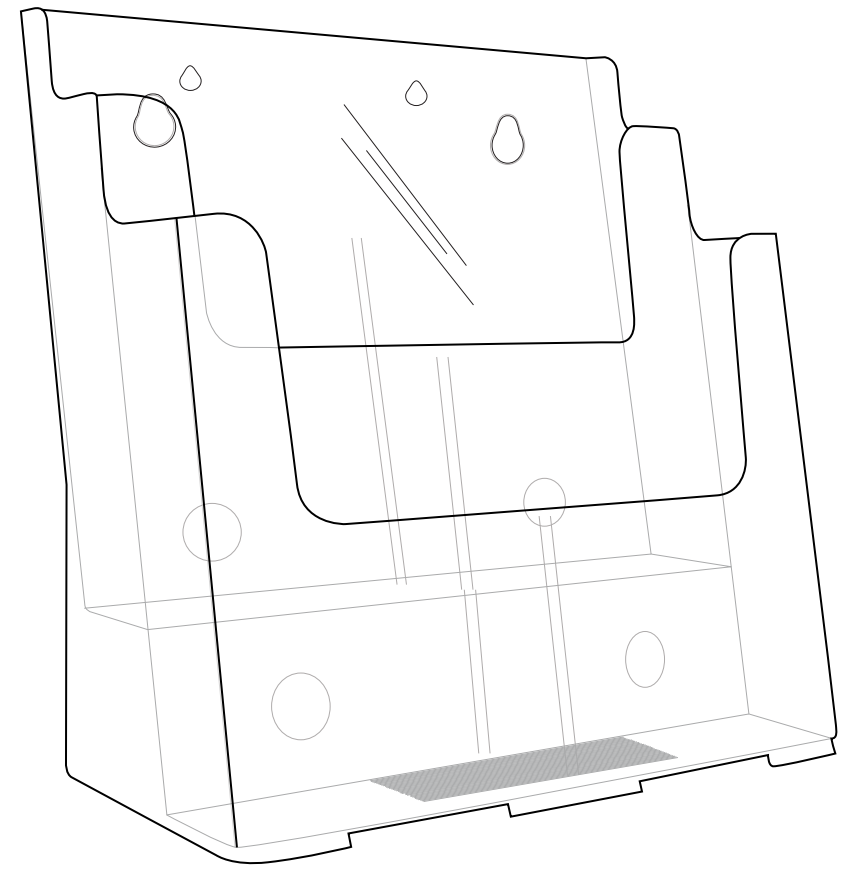


Item#: LHF-S82  
2-Tiered Brochure Holder for 8-1/2 x 11



Maximum Printing Area

8" x 3.2"

