

Embrace Counter

EMB-CT

Embrace™ is a sleek collapsible portable display and it delivers style with minimal effort. Embrace requires no tools for assembly, is lightweight and highly portable. It packs away as easy as it sets up!



Easy push-fit fabric graphics go into channels

features and benefits:

- Collapsible display counter
- Quick to set-up
- SEG dye-sublimation graphics
- Includes clear internal shelf
- Carry bag included
- Countertop supports max 50 lbs / 22.7 kgs
- Top available in four laminate finish options
- Easy to store and ship
- Lifetime limited warranty against manufacturer defects

dimensions:

Hardware:

Assembled unit:
40.95" w x 40.23" h x 14.95" d
1040mm(w) x 1022mm(h) x 380mm(d)

Shipping:

Shipping dimensions - ships in a box:
46" l x 20" h x 7" d
1168mm(l) x 508mm(h) x 178mm(d)

Shipping weight:
27 lbs / 12.25 kgs

Graphics:

Refer to related graphic template for more information.

Visit exhibitors-handbook.com/graphic-templates

additional information:

Graphic material:
SEG Power-stretch

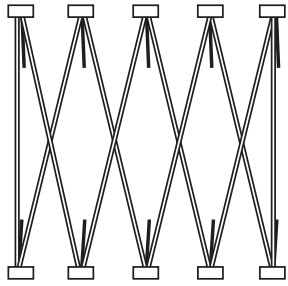
- Counter can support weight
50 lbs / 22.7 kgs max
- Internal shelf can support
10 lbs / 4.53 kgs max

Counter colors:

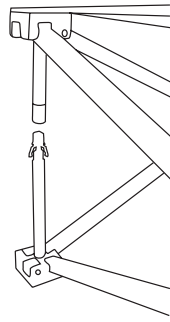


We are continually improving and modifying our product range and reserve the right to vary the specifications without prior notice. All dimensions and weights quoted are approximate and we accept no responsibility for variance. E&OE. See Graphic Templates for graphic bleed specifications.

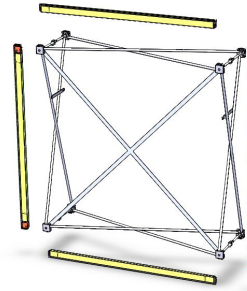
ASSEMBLY



Stretch frame to size. **1**



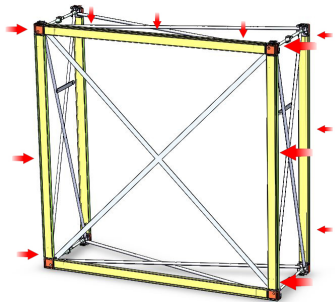
Snap all locking arms into place. **2**



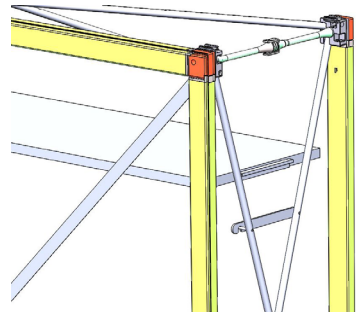
Slide channel bars onto front face of frame starting with the left and right sides. **3**



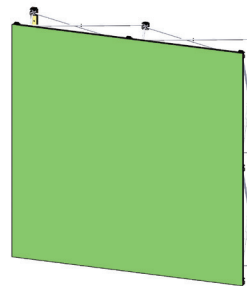
Then slide on bottom and top channel bars. **4**



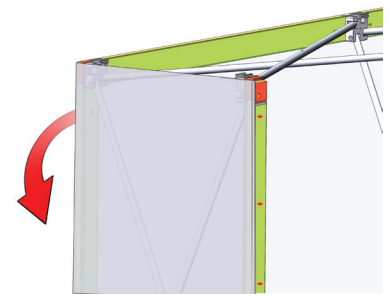
Add channel bars to back of frame. **5**



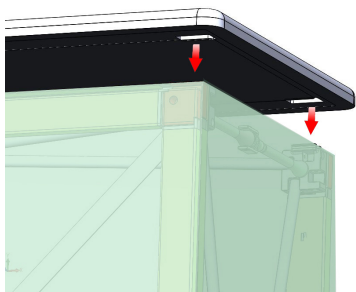
Attach the internal shelf to the locking bars on the left and right side walls of the counter. **6**



Slide FCE graphic into channels located on the front side of the channel bars. **7**



Insert FCE graphic end caps into rear facing channels. Be sure not to use side channels. **8**



Attach counter top to counter by guiding dovetails into the channels of the counter top. **9**



Unit is complete **10**