



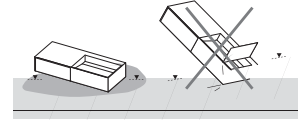
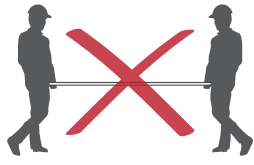
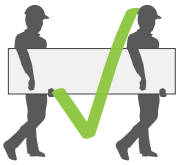
INFINITE[®]

Infinite possibilities in your bathrooms...

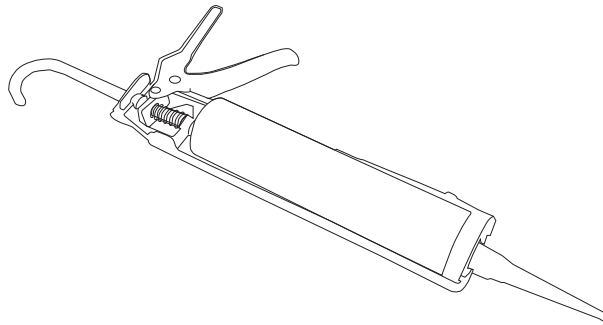
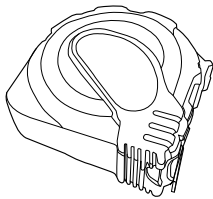
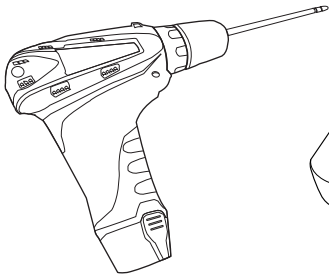
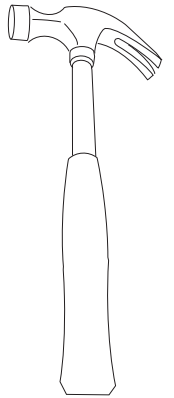
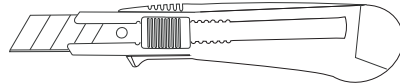
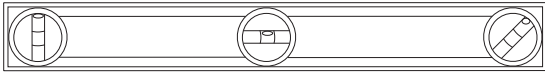
Wall Hang Basin - Instruction Manual



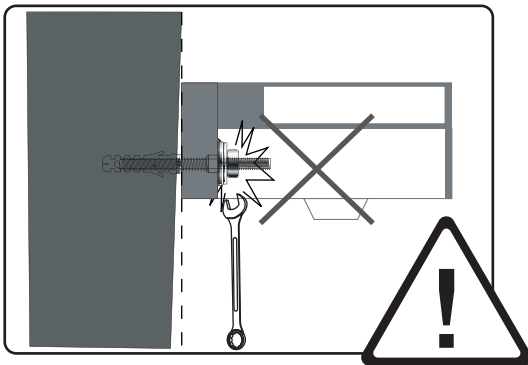
Important



Tools Needed:

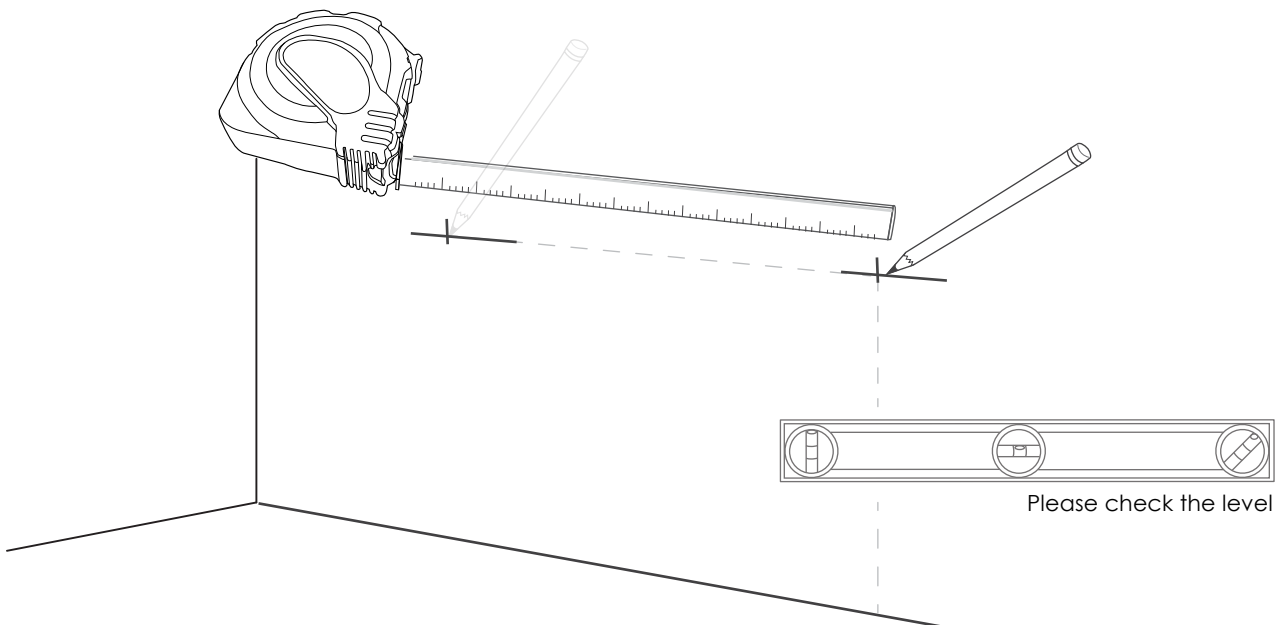


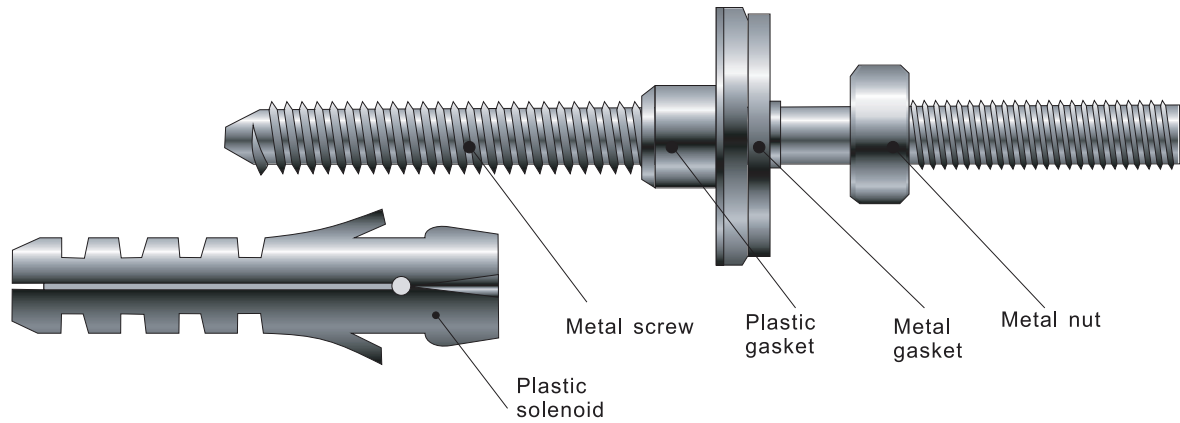
Important Notes before Assembly:



Please make sure the wall is straight and not wave.
Warning: Don't tighten the nuts of the wall mount accessories too much otherwise it may cause breaking to the products.

Mark the corresponding assembly holes onto the wall

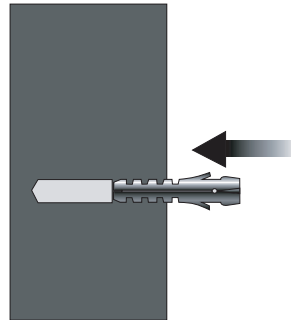




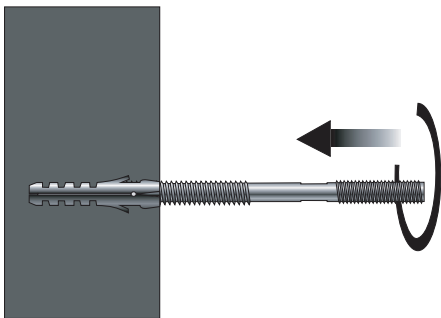
Note: These fixings are suitable for solid walls only. Plasterboard or stud walls may require specialist fixings (not supplied). Caution: care should be taken when drilling walls and floors to avoid any sunken wires or pipes



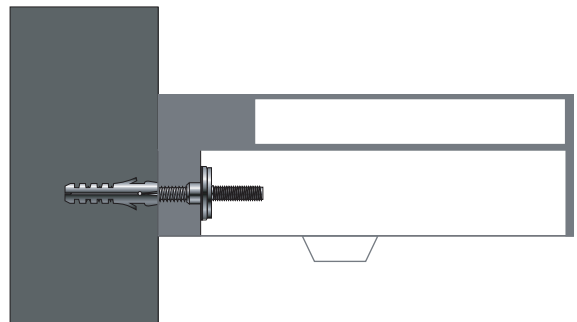
1. Drill two holes in the required position on the wall using a 14mm masonry drill bit, to a depth of 75mm



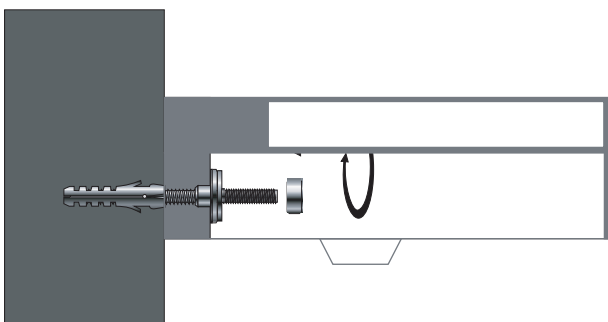
2. Push a wall plug into each hole



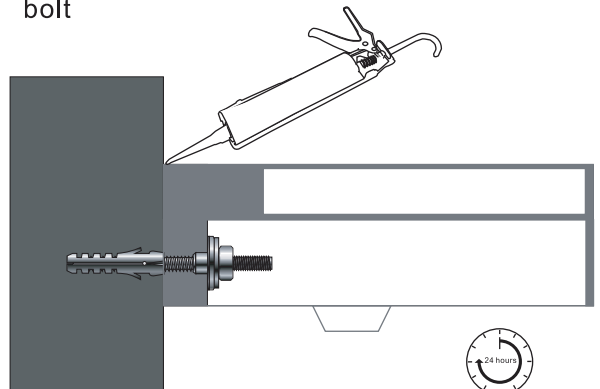
3. Screw a fixing bolt into each fixing plug using a 8 mm spanner until the spanner contacts the wall



4. Place the basin in position against the wall, locating the fixing bolts through the holes in the rear of the basin. Push a plastic washer, followed by a metal washer, onto each fixing bolt



5. Screw a metal nut onto each fixing bolt to secure the basin. Caution: Do not over-tighten, as this may damage the materials.



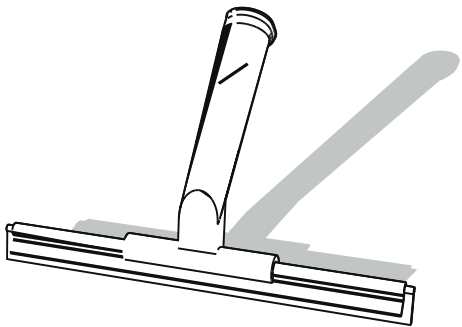
*Allow 24 hours for silicone to dry before use

Cleaning Guide

Matt Solid surface products require minimal maintenance. For every day cleaning after each use, simply wipe with a soft wet cloth to remove any surface dirt.

For tougher marks we recommend using widely available cleaning products such as liquid jiff. Occasionally you may require a mildly abrasive product to erase scratches. We have included a pad with your product if this is required.

Never use petroleum-based products when cleaning, i.e. paint thinner or other solvents, as they may damage the solid surface. (Note: Personal hygiene products and cosmetics will NOT damage the surface.)



Wipe surface with a soft cloth after each use. Use a mild cleaning product. For more difficult stains, use a mildly abrasive cream cleaner.



1 piece of Magic Sponge included



www.infinite-bath.com