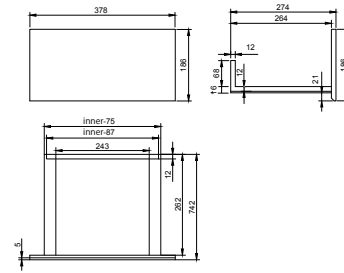
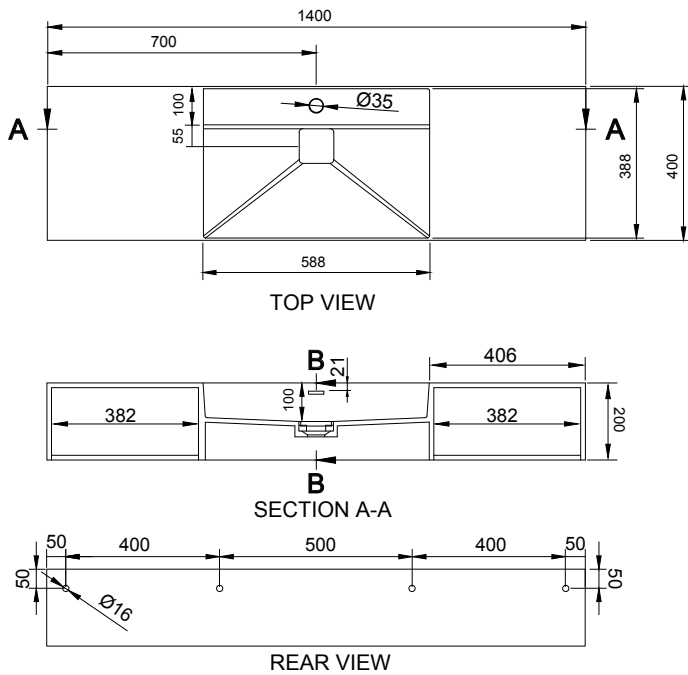


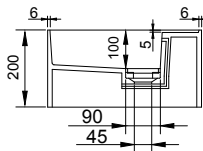


CUBE-X WM 140 W/DRAWERS WALL MOUNT WASHBASIN

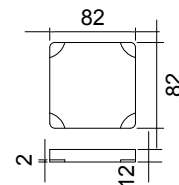
ART. NO.: 1031094 | RECTANGLE



DRAWER



SECTION B-B



DRAIN COVER

SPECIFICATIONS

MATERIAL

INFINITE[®] Solid Surfaces

AVAILABLE COLORS



PRODUCT SIZE

L1400 x D400 x H200mm

GROSS/NET WEIGHT

53.5kg / 47.0kg

WATER CAPACITY

15.5L

REMARKS

Not Include Waste Pipe

ACCESSORIES LIST



9000060
Pop-Up Drainage



9000090
Magic Sponge 1pc



9000283
M8 Screws 4pc

*OPTIONAL



9000018
Chorme Waste Drainage