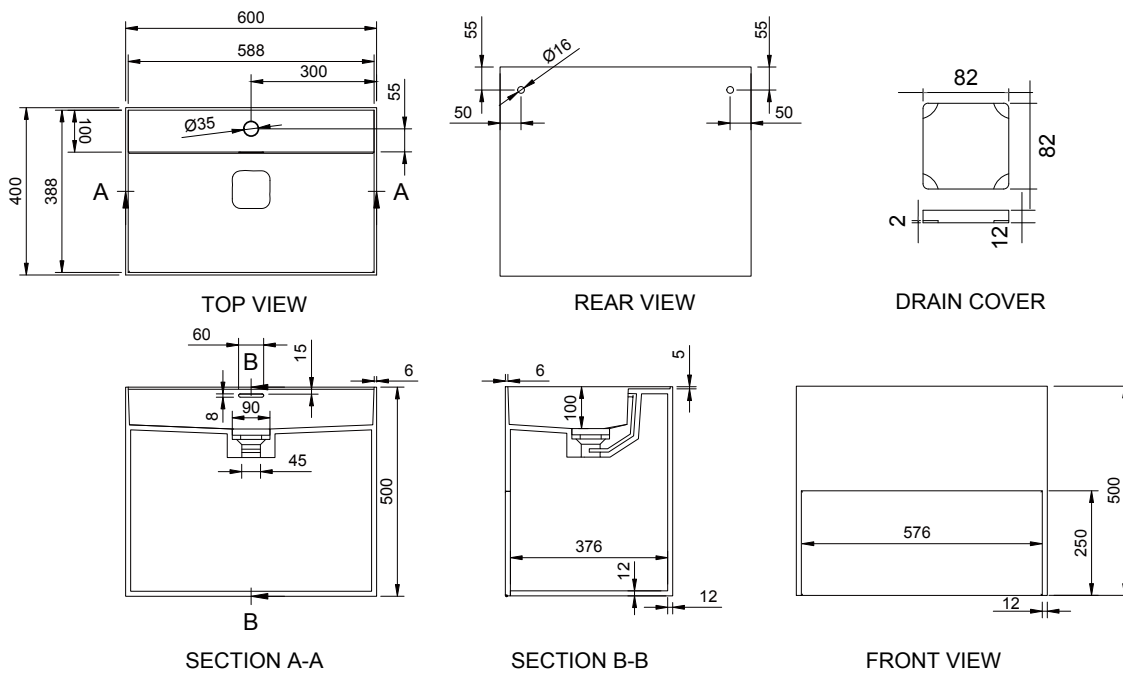




CUBE-X WM 60 W/DRAWER WALL MOUNT WASHBASIN

ART. NO.: 1031092 | RECTANGLE



SPECIFICATIONS

MATERIAL

INFINITE[®] Solid Surfaces

AVAILABLE COLORS



PRODUCT SIZE

L600 x D400 x H500mm

GROSS/NET WEIGHT

34.5kg / 31.0kg

WATER CAPACITY

15.5L

REMARKS

Not Include Waste Pipe

ACCESSORIES LIST



9000060
Pop-Up Drainage



9000090
Magic Sponge 1pc



9000283
M8 Screws 2pc

***OPTIONAL**



9000018
Chrome Waste Drainage