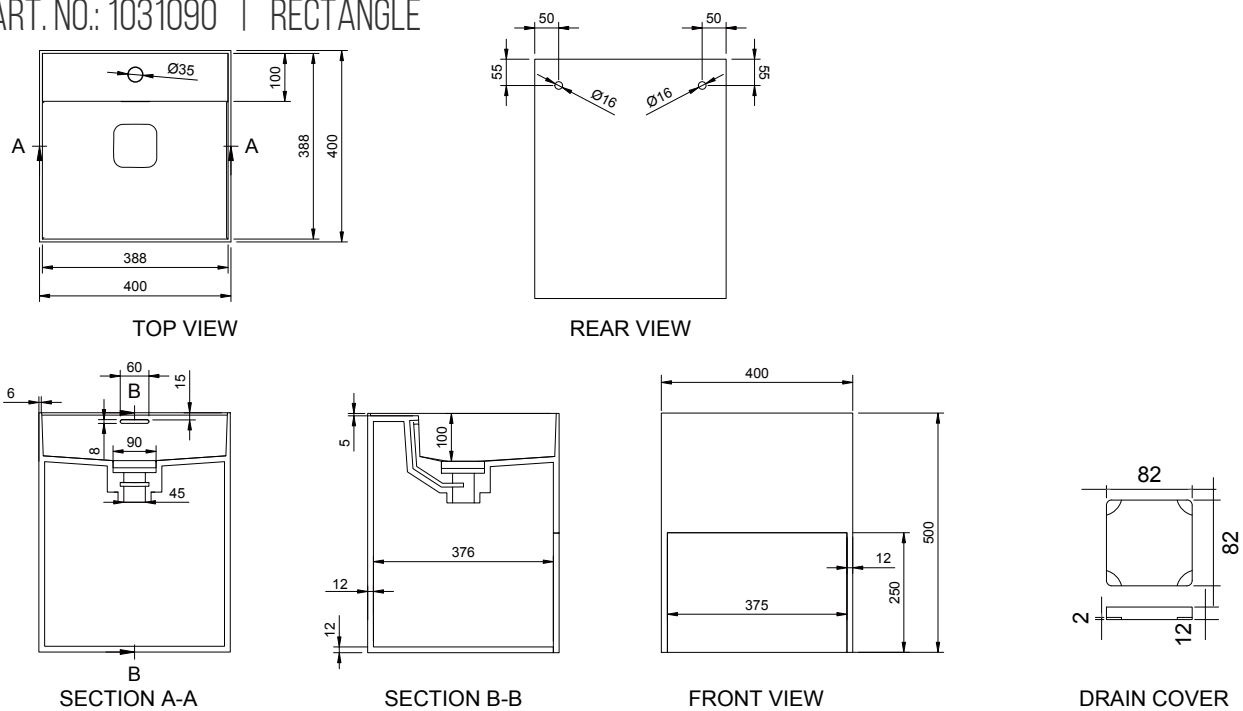




CUBE-X WM 40 W/DRAWER WALL MOUNT WASHBASIN

ART. NO.: 1031090 | RECTANGLE



SPECIFICATIONS

MATERIAL

INFINITE[®] Solid Surfaces

AVAILABLE COLORS



PRODUCT SIZE

L400 x D400 x H500mm

GROSS/NET WEIGHT

28.0kg / 25.0kg

WATER CAPACITY

8.0L

REMARKS

Not Include Waste Pipe

ACCESSORIES LIST



9000060
Pop-Up Drainage



9000090
Magic Sponge 1pc



9000283
M8 Screws 2pc

*OPTIONAL



9000018
Chorme Waste Drainage