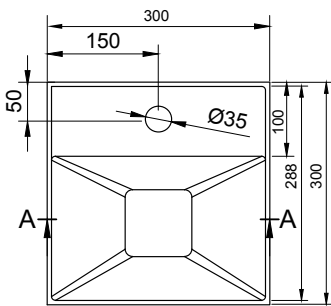


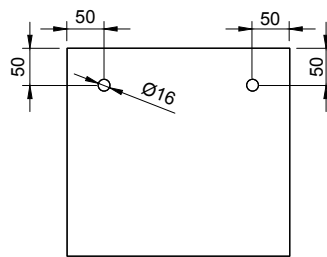


CUBE-X WM 30 W/SHELF WALL MOUNT WASHBASIN

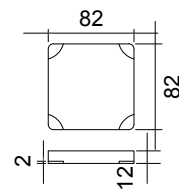
ART. NO.: 1031071 | RECTANGLE



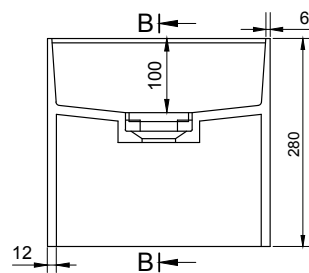
TOP VIEW



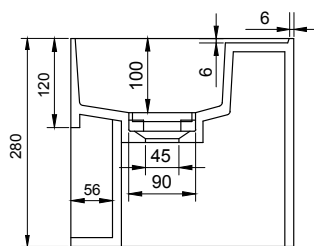
REAR VIEW



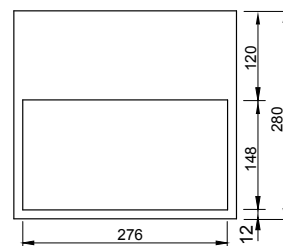
DRAIN COVER



SECTION A-A



SECTION B-B



FRONT VIEW

SPECIFICATIONS

MATERIAL

INFINITE[®] Solid Surfaces

AVAILABLE COLORS



PRODUCT SIZE

L300 x D300 x H280mm

GROSS/NET WEIGHT

13.5kg / 10.0kg

WATER CAPACITY

6.5L

REMARKS

Not Include Waste Pipe

ACCESSORIES LIST



9000022
Pop-Up Drainage



9000090
Magic Sponge 1pc



9000283
M8 Screws 2pc

*OPTIONAL



9000018
Chrome Waste Drainage