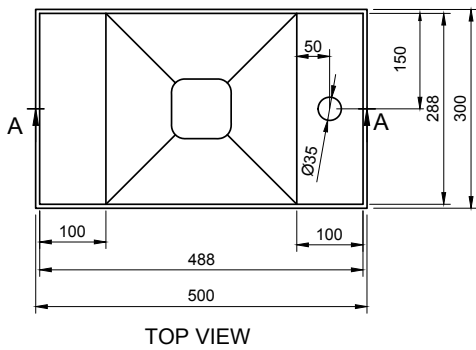


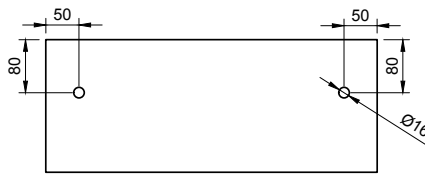


# CUBE-X WM 50 W/TOWEL BAR & DECK WALL MOUNT WASHBASIN

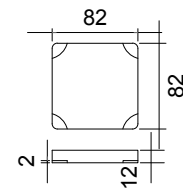
ART. NO.: 1031008 | RECTANGLE



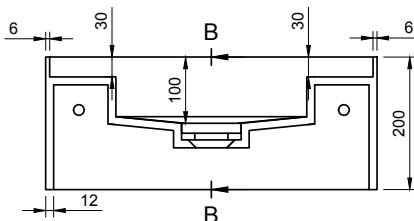
TOP VIEW



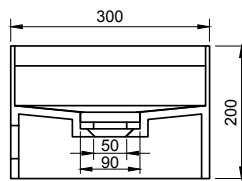
REAR VIEW



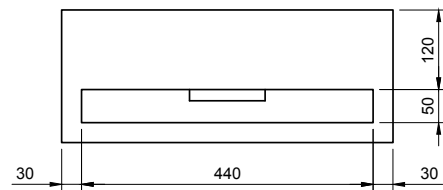
DRAIN COVER



SECTION A-A



SECTION B-B



FRONT VIEW

## SPECIFICATIONS

**MATERIAL**

INFINITE<sup>®</sup> Solid Surfaces

**AVAILABLE COLORS**



**PRODUCT SIZE**

L500 x D300 x H200mm

**GROSS/NET WEIGHT**

11.0kg / 9.5kg

**WATER CAPACITY**

8.5L

**REMARKS**

Not Include Waste Pipe

## ACCESSORIES LIST



9000022  
Pop-Up Drainage



9000090  
Magic Sponge 1pc



9000283  
M8 Screws 2pc

**\*OPTIONAL**



9000018  
Chorme Waste Drainage