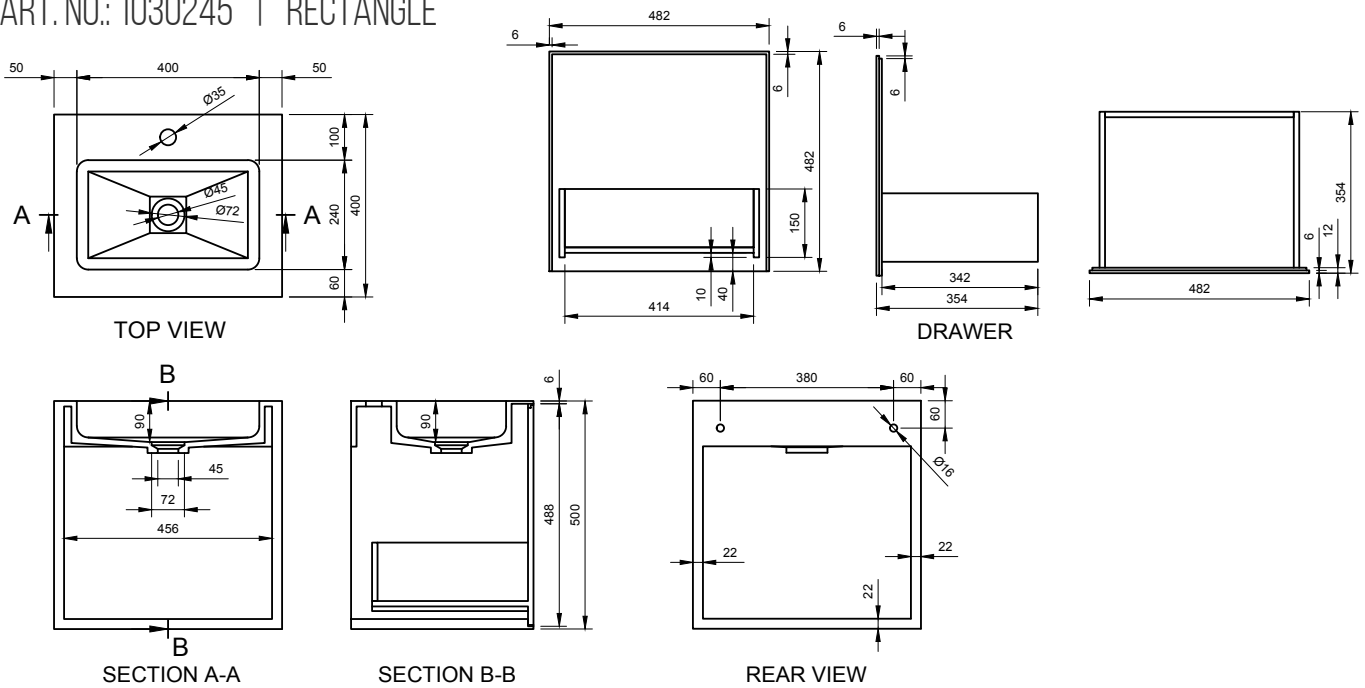




VESTA WM 50 W/DRAWER WALL MOUNT WASHBASINS

ART. NO.: 1030245 | RECTANGLE



SPECIFICATIONS

MATERIAL

INFINITE[®] Solid Surfaces

AVAILABLE COLORS



PRODUCT SIZE

L500 x D400 x H500mm

GROSS/NET WEIGHT

47.0kg / 39.0kg

WATER CAPACITY

8.5L

REMARKS

Not Include Waste Pipe

ACCESSORIES LIST



9000010
Pop-Up Drainage



9000090
Magic Sponge 1pc



9000283
M8 Screws 2pc

***OPTIONAL**



9000018
Chrome Waste Drainage