

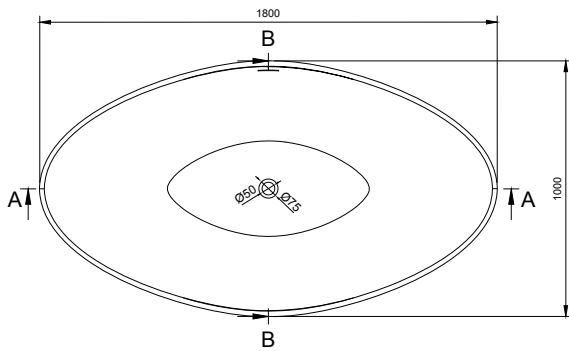


INFINITE[®]
Infinite possibilities in your bathrooms...

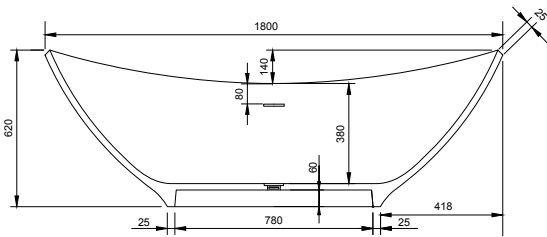


NAPLES 180 BATHTUB

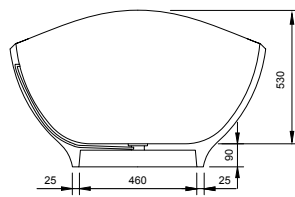
ART. NO.: 1006025 | SYMMETRICAL STREAMLINE



TOP VIEW



SECTION A-A



SECTION B-B

SPECIFICATIONS

MATERIAL

INFINITE[®] Solid Surfaces

AVAILABLE COLORS



PRODUCT SIZE

L1800 x W1000 x H620mm

GROSS/NET WEIGHT

145kg / 105kg

WATER CAPACITY

180L

REMARKS

With Overflow Hole

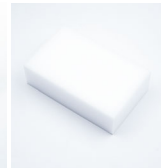
ACCESSORIES LIST



9000167
Pop-Up Drainage
For Bathtub 1pc



9000345
Bathtub Waste Pipe-Grey 1pc



9000090
Magic Sponge 1pc