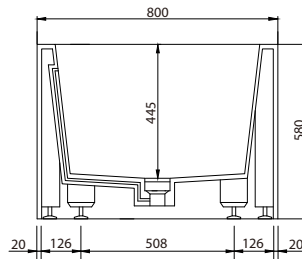
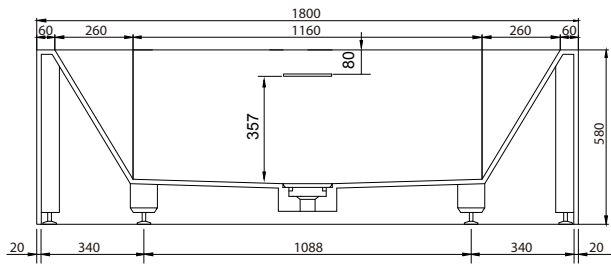
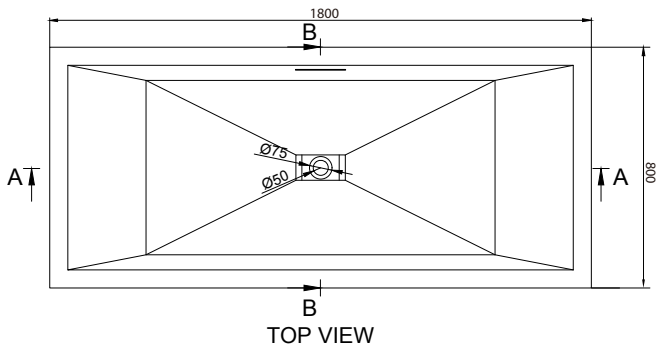




# ANCONA 180 BATHTUB

ART. NO.: 1006018 | RECTANGLE



## SPECIFICATIONS

### MATERIAL

INFINITE<sup>®</sup> Solid Surfaces

### AVAILABLE COLORS



### PRODUCT SIZE

L1800 x W800 x H580mm

### GROSS/NET WEIGHT

235kg / 195kg

### WATER CAPACITY

360L

### REMARKS

With Overflow Hole

## ACCESSORIES LIST



9000167  
Pop-Up Drainage  
For Bathtub 1pc



9000345  
Bathtub Waste Pipe-Grey 1pc



9000090  
Magic Sponge 1pc



9000308  
Adjustable Feet  
for Bathtubs 4pc