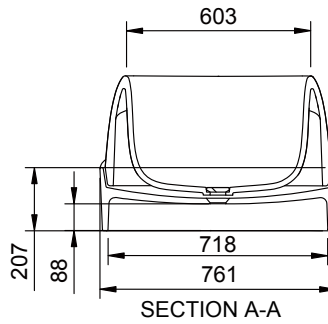
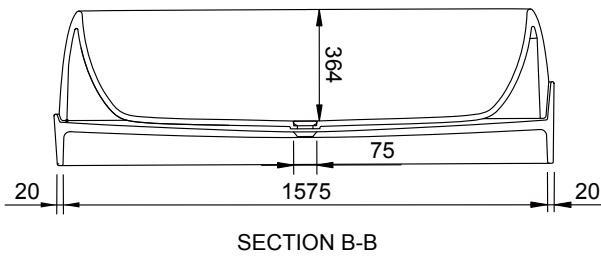
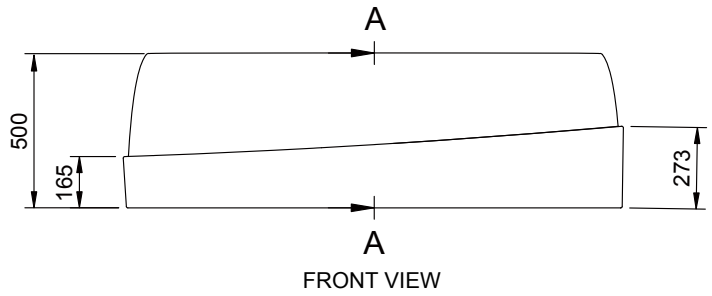
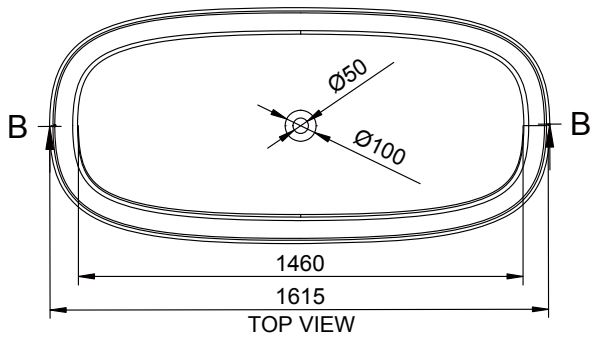




FUJISAN 162 BATHTUB

ART. NO.: 1006002 | ELLIPSE



SPECIFICATIONS

MATERIAL

INFINITE[®] Solid Surfaces

AVAILABLE COLORS



PRODUCT SIZE

L1610 x W750 x H500mm

GROSS/NET WEIGHT

228kg / 186kg

WATER CAPACITY

270L

REMARKS

With Overflow Hole

ACCESSORIES LIST



9000202
Pop-Up Drainage 1pc



9000345
Bathtub Waste Pipe-Grey 1pc



9000090
Magic Sponge 1pc