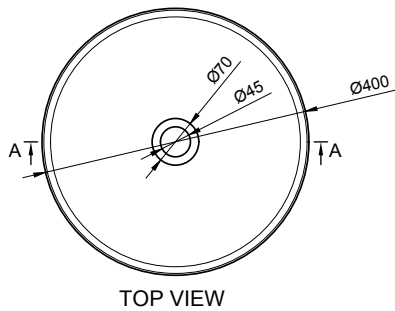


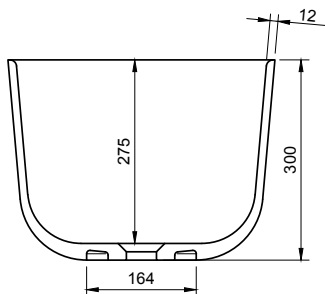


NIAGARA LAUNDRY 40 OVERCOUNTER WASHBASIN

ART. NO.: 1003979 | ROUND



TOP VIEW



SECTION A-A

SPECIFICATIONS

MATERIAL

INFINITE[®] Solid Surfaces

AVAILABLE COLORS



PRODUCT SIZE

Dia400 x H300mm

GROSS/NET WEIGHT

14.0kg / 10.5kg

WATER CAPACITY

30.0L

REMARKS

Not Include Waste Pipe

ACCESSORIES LIST



9000010
Pop-Up Drainage



9000090
Magic Sponge 1pc

***OPTIONAL**



9000018
Chorme Waste Drainage